



TORMAX

AUTOMATIC

TX9600 (ICU)

PARTS CATALOGUE

TORMAX TECHNOLOGIES

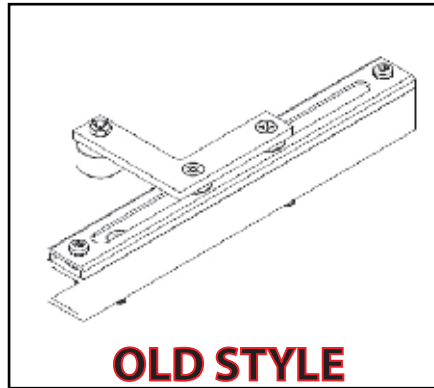
12859 Wetmore Rd.
SAN ANTONIO, TX 78247
(210) 494-3551
(210) 494-5930 [FAX]

v1.01



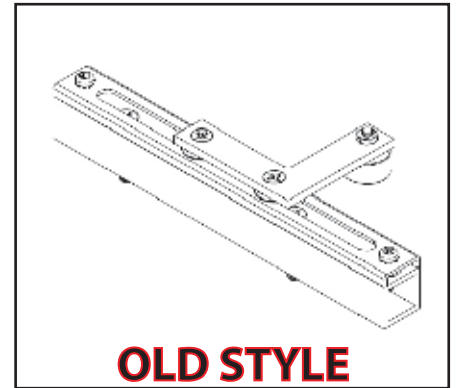
OLD STYLE

US800448
TRACK ROLLER (BRASS)



OLD STYLE

142012
LH BOTTOM TRACKLESS SLIDING
GUIDE (SX/SO)



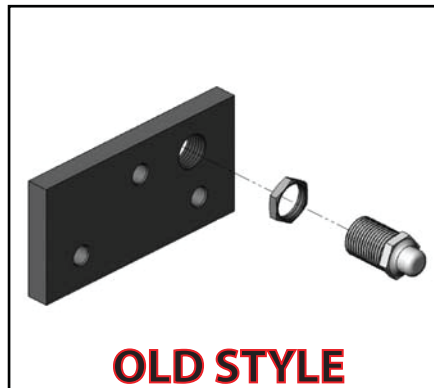
OLD STYLE

140956
RH BOTTOM TRACKLESS SLIDING
GUIDE (SO/SX)



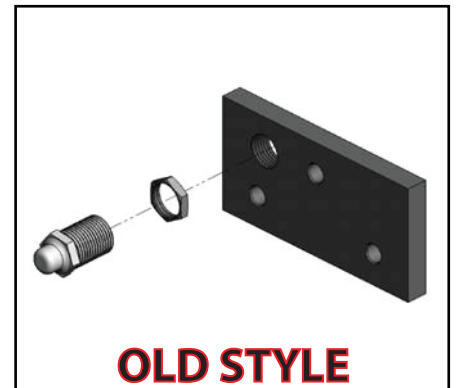
OLD STYLE

141101
SX DOOR UPPER ROLLER



OLD STYLE

142251
LH BOTTOM BASE PLATE PIVOT



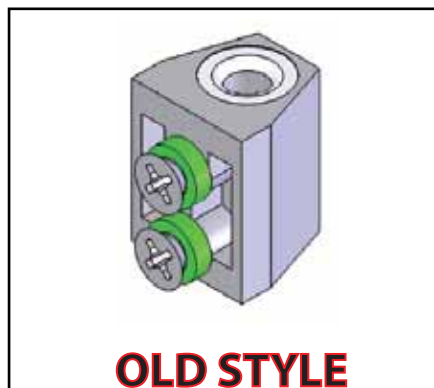
OLD STYLE

141007
RH BOTTOM BASE PLATE PIVOT



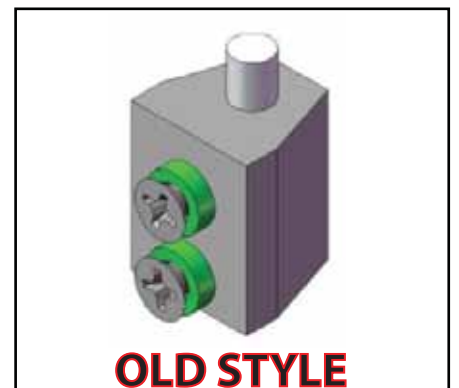
OLD STYLE

141102
ICU SX ANTI-RISER



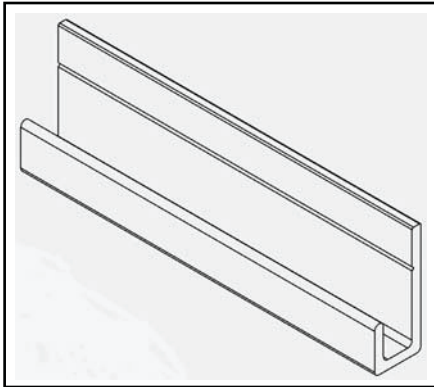
OLD STYLE

US800564
BOTTOM PIVOT

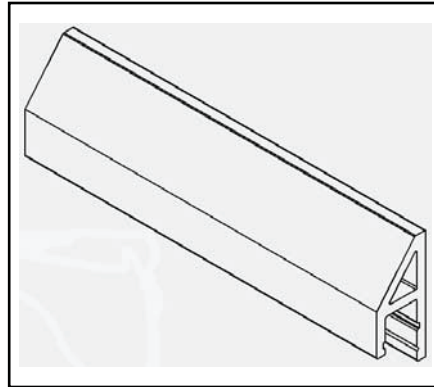


OLD STYLE

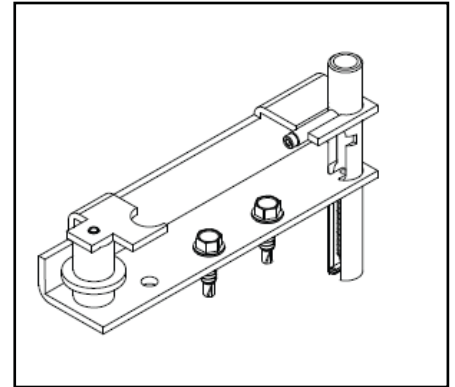
US800609
TOP PIVOT



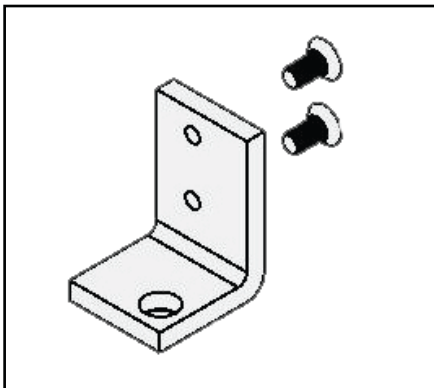
US800450
 ICU BOTTOM TRACK GUIDE



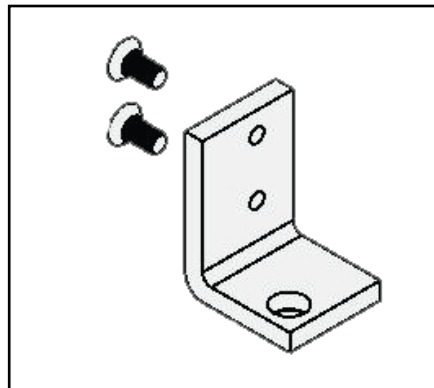
US800449
 TOP & BOTTOM TRACK HOUSING



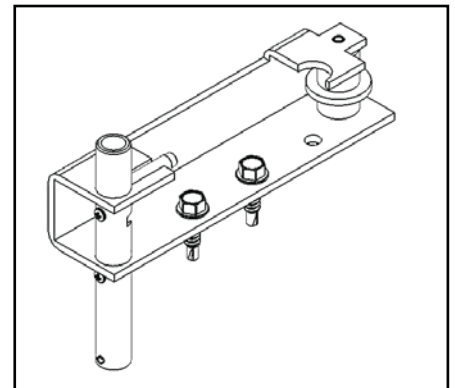
US800847
 RH SO PANEL TOP PIVT
 (DOOR PORT)



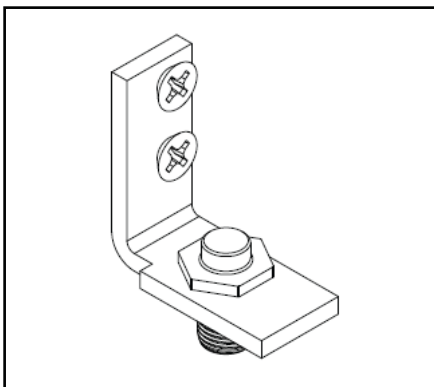
US800861
 BOTTOM PIVOT ASSEMBLY
 RH/SS-RH BIPART



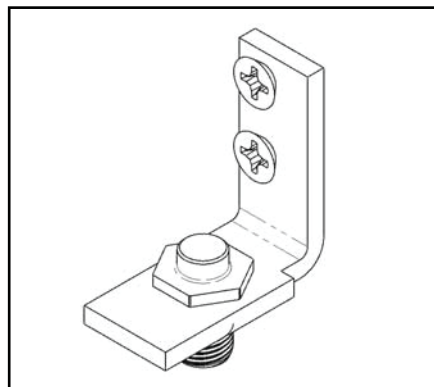
US800860
 BOTTOM PIVOT ASSEMBLY
 LH/SS-LH BIPART



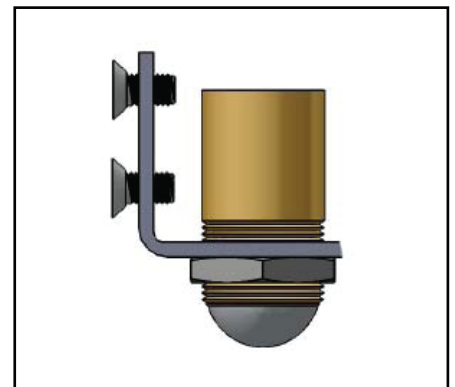
US800845
 LH SO PANEL TOP PIVOT
 (DOOR PORTION)



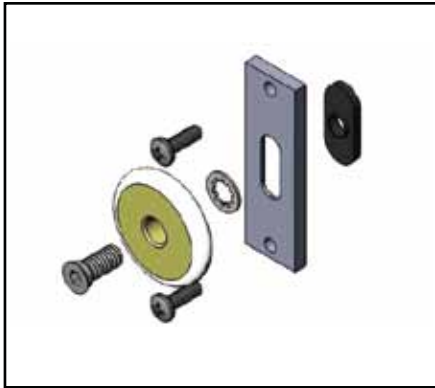
US800832
 TYPE1 SO PANEL BOTTOM PIVOT
 (JAMB PORTION)



US800830
 TYPE 2 SO PANEL BOTTOM PIVOT
 (JAMB PORTION)



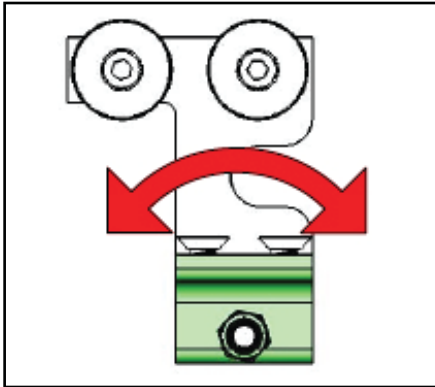
US800906
 SO PANEL BOTTOM BALL
 DETENT



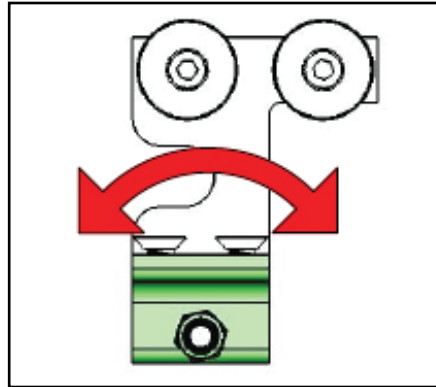
US801587
ICU BREAKOUT ROLLER
SUPPORT



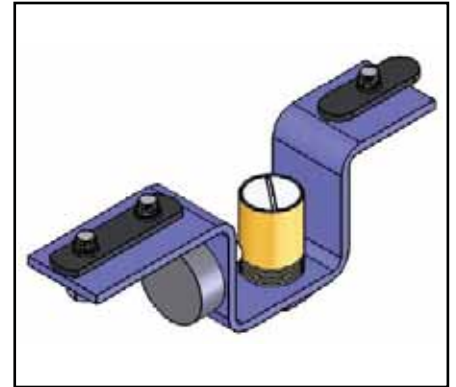
US800934
ICU TRACKLESS ROLLER ARM
GUIDE ASSEMBLY



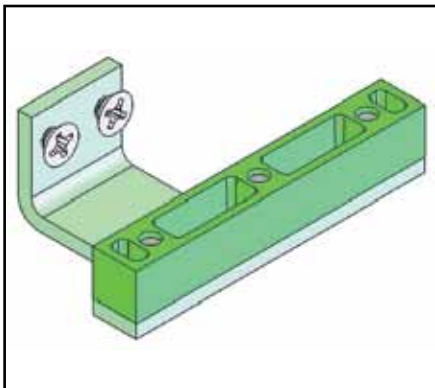
142225
 LH BOTTOM DOOR GUIDE (O-X-SX)
 SX-PANEL



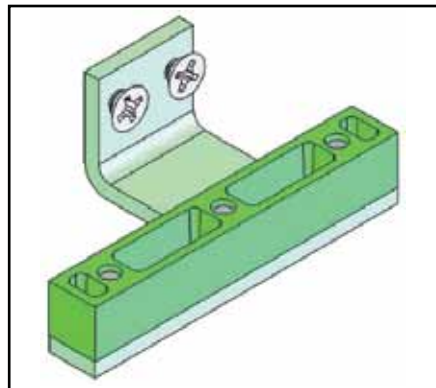
142226
 RH BOTTOM DOOR GUIDE (SX-X-O)
 SX-PANEL



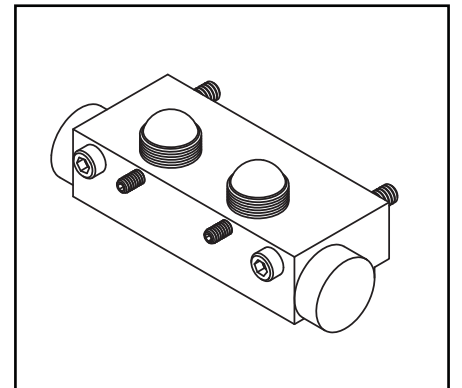
142228
 X-PANEL STOP BRACKET
 W/BALL DETENT



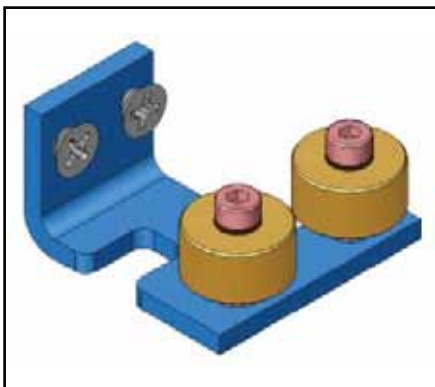
142283
 LH BOTTOM DOOR GUIDE (O-X-SX)
 X-PANEL



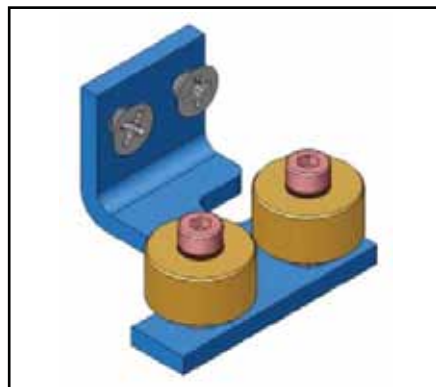
142284
 RH BOTTOM DOOR GUIDE (SX-X-O)
 X-PANEL



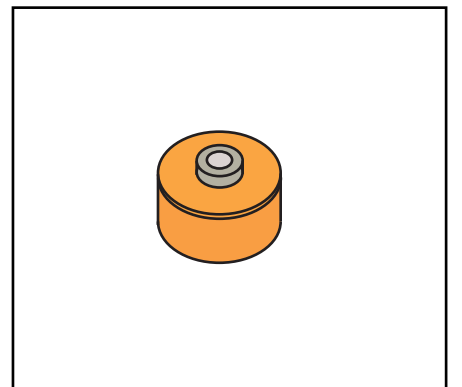
US801607
 ASSEMBLY ICU TELESCOPE
 BIPART BUMPER BRACKET



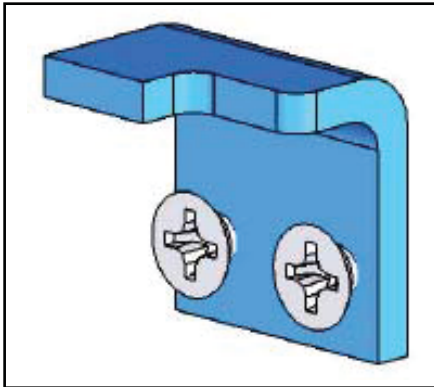
142271
 LH BOTTOM DOOR GUIDE
 X-PANEL COVER



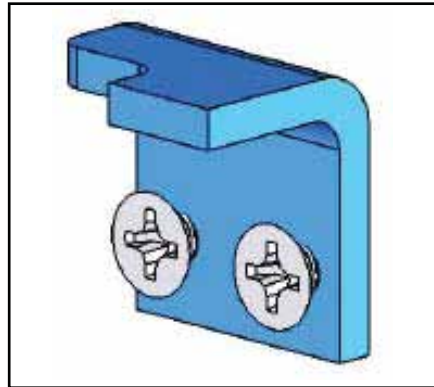
142272
 RH BOTTOM DOOR GUIDE
 X-PANEL COVER



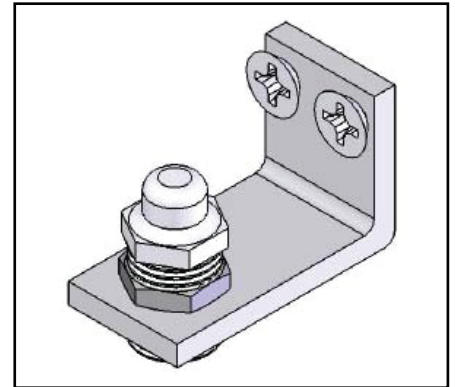
140962
 TRACKLESS BOTTOM
 GUIDE ROLLER (RUBBER)



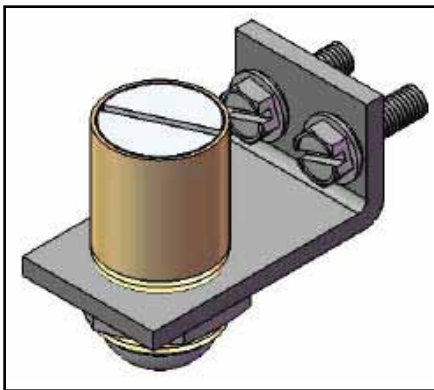
US800459
 CATCH/PULL BRACKET
 LH/SS SX LEAD PANEL



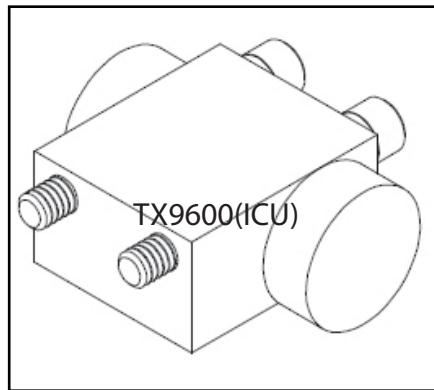
US800458
 CATCH/PULL BRACKET
 RH/SS SX LEAD PANEL



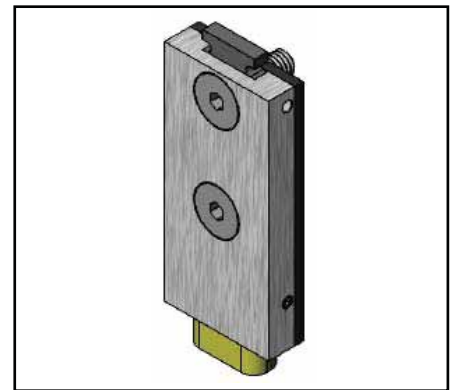
US800409
 CENTER PIVOT



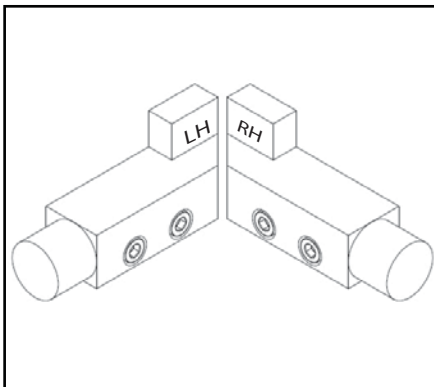
US800615
 BALL DETENT LATCH



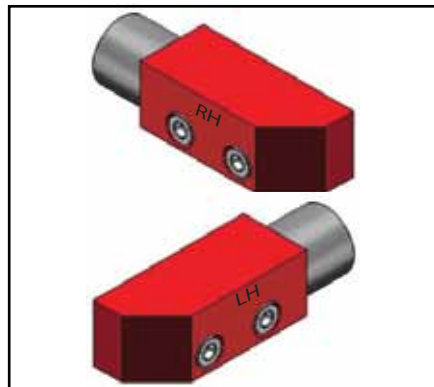
US800624
 BI-PART BUMPER-STOP BRACKET
 (NON-TELESCOPIC)



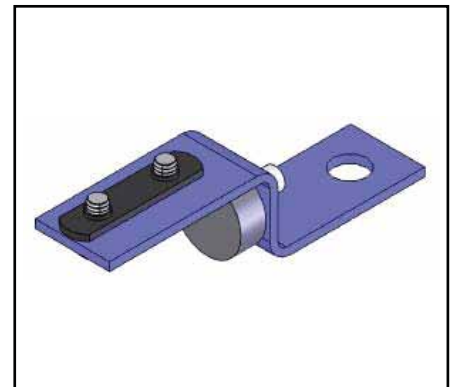
US800597
 LATCH BOLT ASSEMBLY



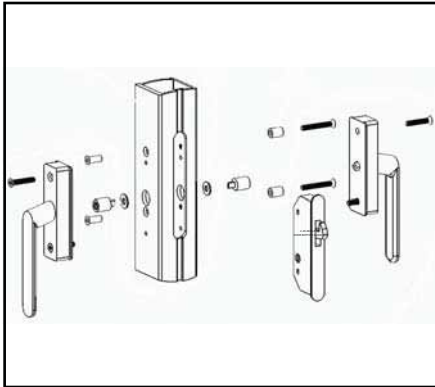
US800622 - LETRHAND
 US800632 - RIGHTHAND
 TX9630 (FBO) BUMPER-STOP



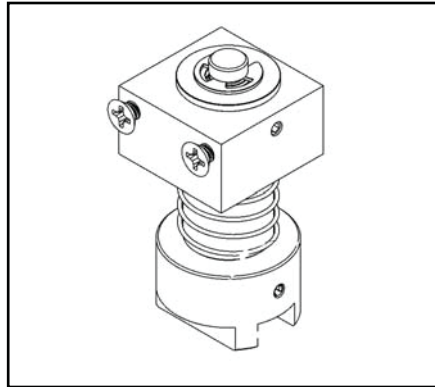
US800628 - RIGHTHAND
 US800626 - LEFTHAND
 TX9620 (FSL) BUMPER-STOP



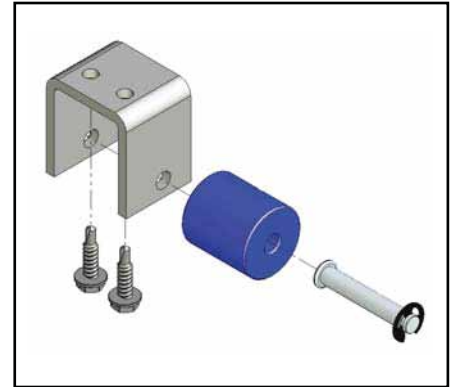
US800616
 STOP BRACKET, TYPE 2



142204-01/142204-02
 POSITIVE LATCH KIT



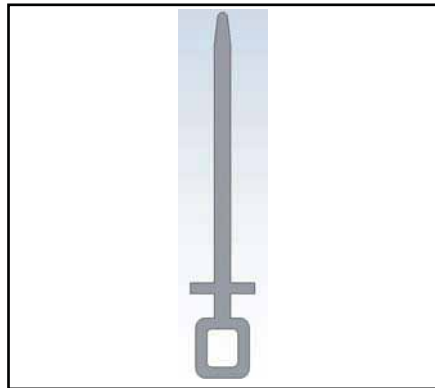
2-29-0026-R
 DOOR BOTTOM GUIDE



140898
 CASTER ASSEMBLY



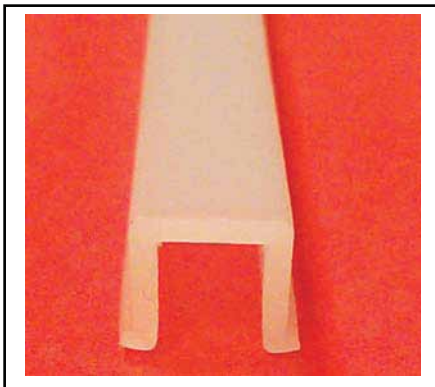
140218
 RECESSED PULL HANDLE
 CHROME



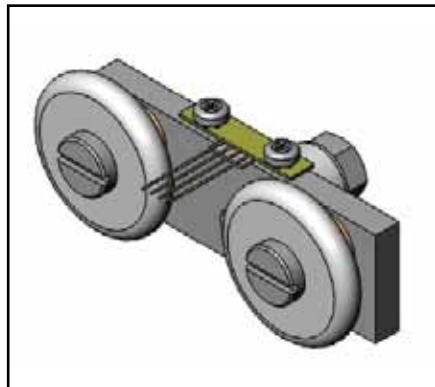
US801502
 1" SILICON FIN SEAL
 ICU



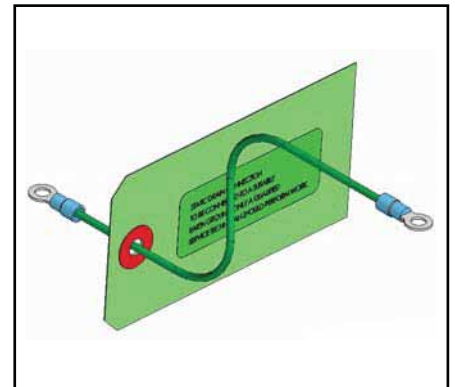
US801503
 ICU SILICON BULB SEAL



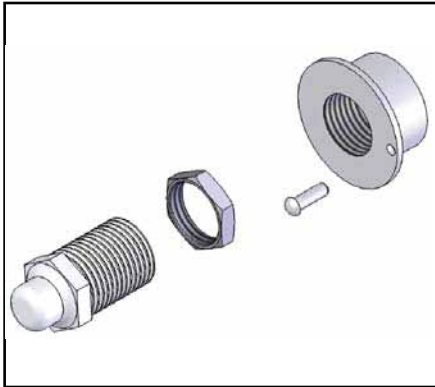
US800446
 ICU BOTTOM TRACK FILLER



140957
 TROLLEY ASSEMBLY



US800394
 STATIC DRAIN HARNESS



141016
BOTTOM PIVOT
THRESHOLD APPLICATION



142016
LH BOTTOM DOOR GUIDE
ASSEMBLY (SX-O)



142015
RH BOTTOM DOOR GUIDE
ASSEMBLY (O-SX)



141014
9600 DOOR HANDLE



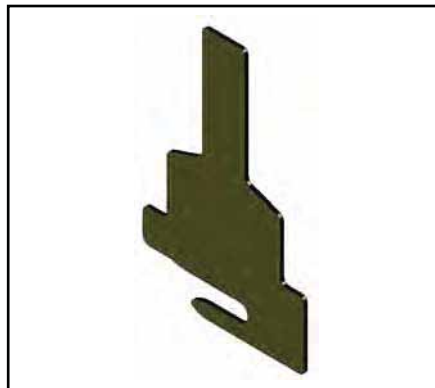
141017
9600 1/8" SWING RESTRICTOR
FOR SX



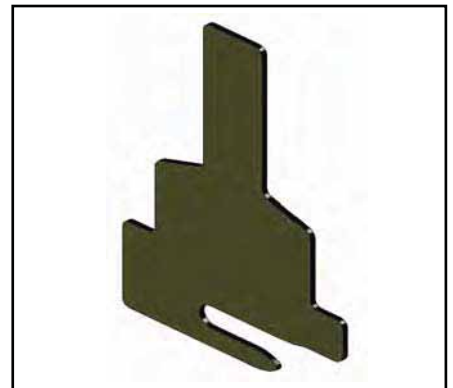
US800636
RH DOOR CARRIER APPLIQUE



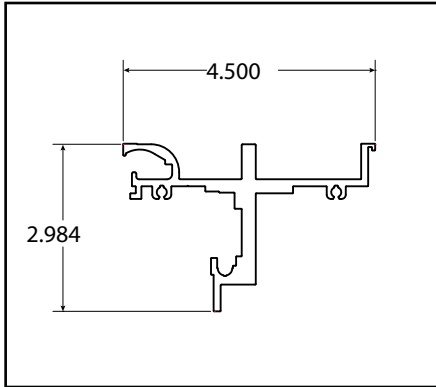
US800637
LH DOOR CARRIER APPLIQUE



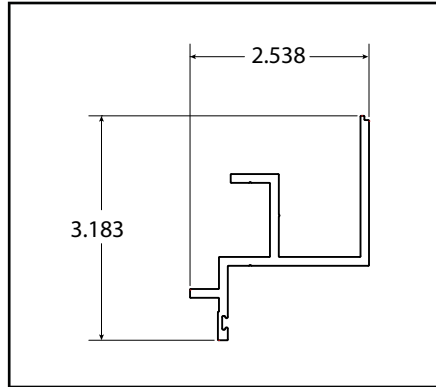
US800638
LH TROLLEY CARRIER APPLIQUE



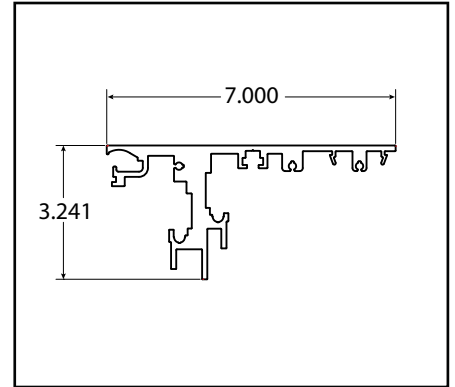
US800639
RH TROLLEY CARRIER APPLIQUE



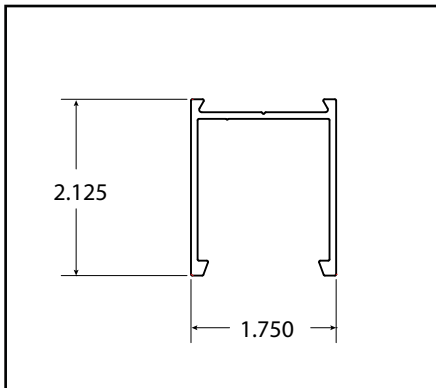
140945
 ICU HEADER COMPONENT HALF



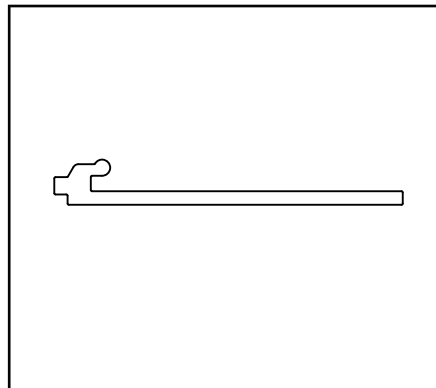
140946
 ICU HEADER BACK HALF



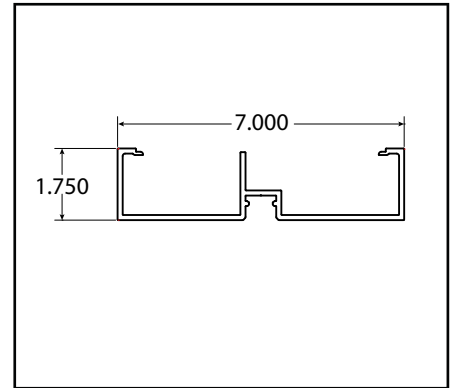
142208
 HEADER-ICU-TELESCOPE



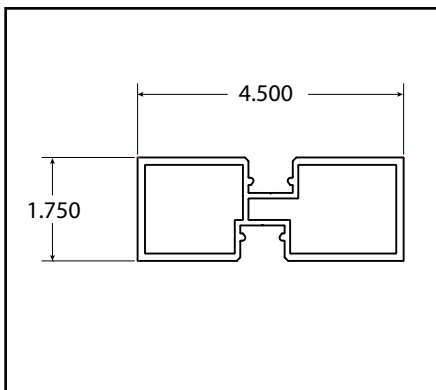
142207
 ICU-TELESCOPE HEADER TRIM



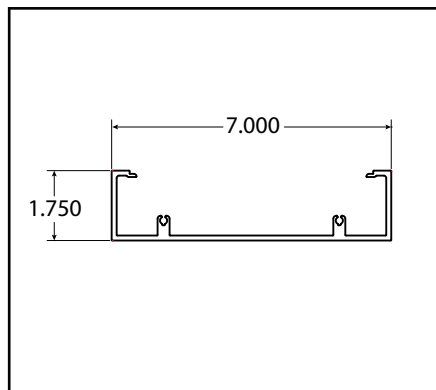
140944
 ICU HEADER COVER



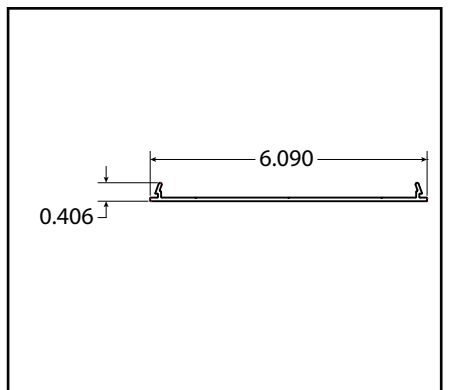
142210
 JAMB-ICU-TELESCOPE JAMB W/
 POCKET



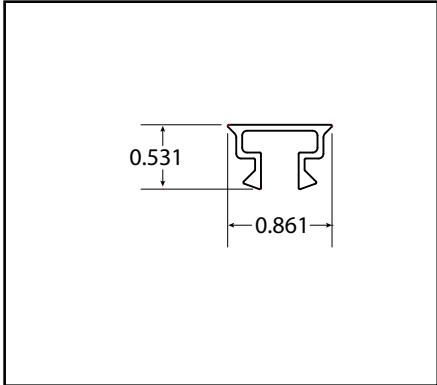
141011
 JAMB-1-3/4" x 4-1/2" POCKETED



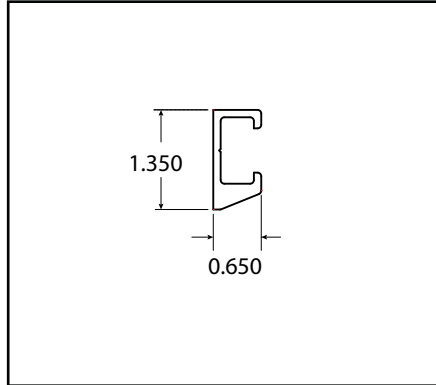
142215
 JAMB-ICU-TELESCOPE TRANSOM
 HORIZONTAL



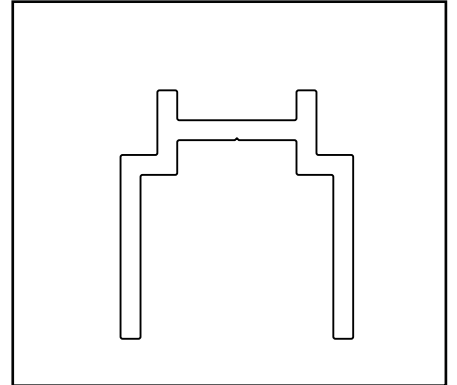
142214
 JAMB SNAP COVER-ICU-TELESCOPE



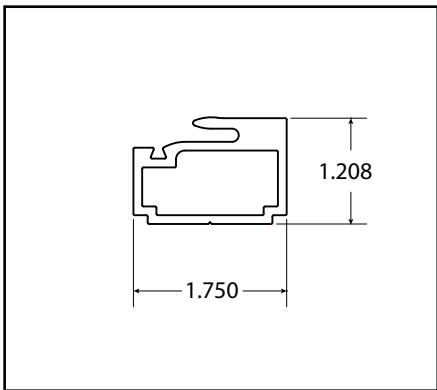
141002
 ICU JAMB FILLER STRIP



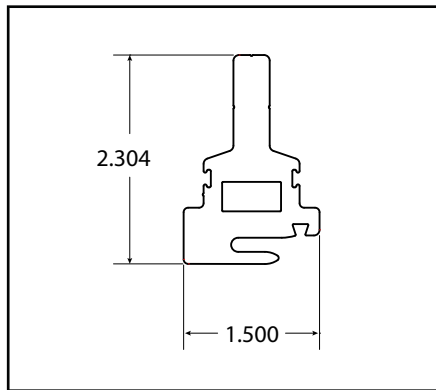
US800431
 TX9630 UPPER ROLLER GUIDE



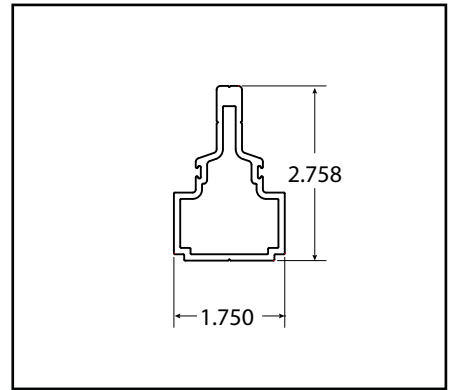
140941
 ICU-TL BTM TRACK GUIDE



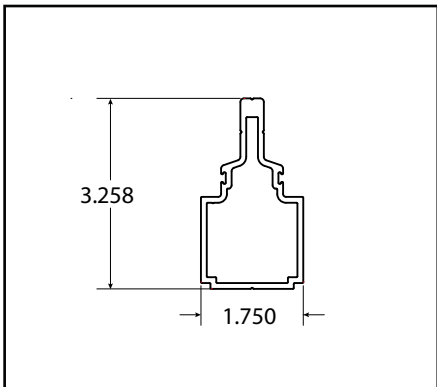
142209
 ICU-TELESCOPE DOOR CARRIER



140935
 TROLLEY CARRIER-ICU



142211
 ICU-TELESCOPE TROLLEY CARRIER
 COV. SIDE



142212
 TROLLEY CARRIER-ICU
 TELESCOPE MID-X