



TORMAX

AUTOMATIC

TX9000

PARTS CATALOGUE

INCLUDES:

- TLP DRIVE
- TEP DRIVE
- TXP DRIVE
- TEP.IP65 DRIVE
- TXP.IP65 DRIVE
- iMOTION® 2301 DRIVE
- iMOTION® 2401 DRIVE

TORMAX TECHNOLOGIES

11803 STARCREST DR
SAN ANTONIO, TX 78247
(210) 494-3551
(210) 494-5930 [FAX]

★★★★★
TORMAX
 AUTOMATIC



140183
 SURFACE MOUNT BOX
 FUNCTION CONTROL PANEL



140226
 LOCKOUT KEYSWITCH
 FUNCTION CONTROL PANEL



140190
 FUNCTION CONTROL PANEL



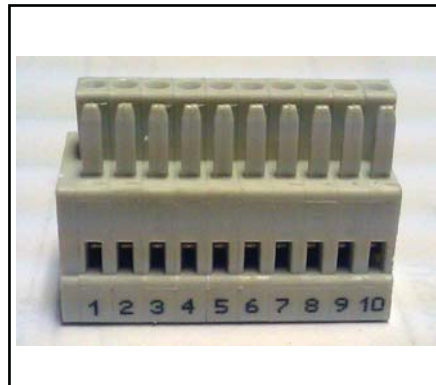
140184
 COVER PLATE
 FUNCTION CONTROL PANEL



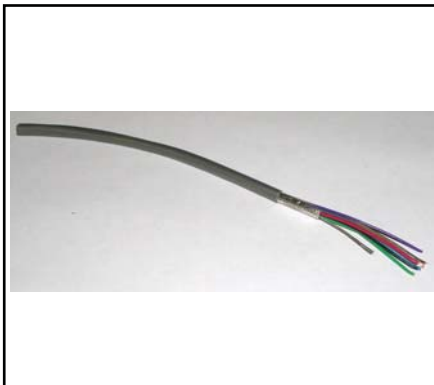
140182
 MOUNTING BRACKET
 FUNCTION CONTROL PANEL



120475
 FUNCTION CONTROL PANEL
 TLP ASSEMBLY



140846
 BLOCK B
 FUNCTION CONTROL PANEL



140185
 SCREENED CABLE -
 FUNCTION CONTROL PANEL



120080
 ON/OFF LOCK FLUSH MOUNT ASSY
 - FUNCTION CONTROL PANEL

★★★★★
TORMAX
 AUTOMATIC



KAU.0012
 TCP.51LC CONTROL



KAU.0002
 TCP.51 PROGRAMMABLE CONTROL

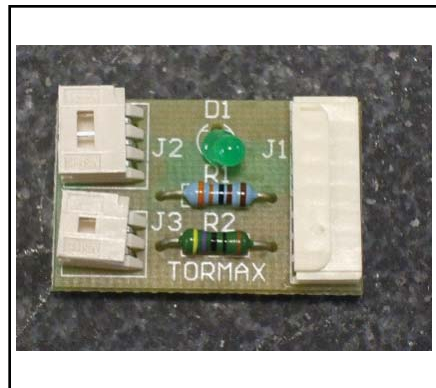


KAD.0002
 TCP.101 (TXP) CONTROL



US800936 - TCP.51LC TERMINAL STRIP
 (NEW STYLE, DOUBLE PLUG)

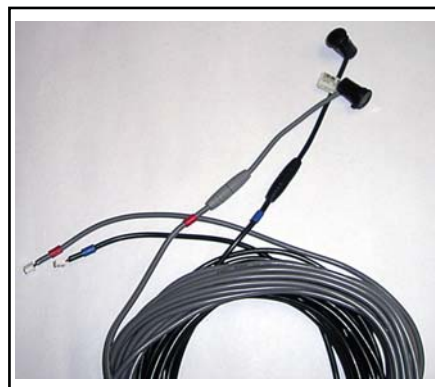
EEU.0002 - TCP.51LC TERMINAL STRIP
 (OLD STYLE, USED WITH 140153 BEAMS)



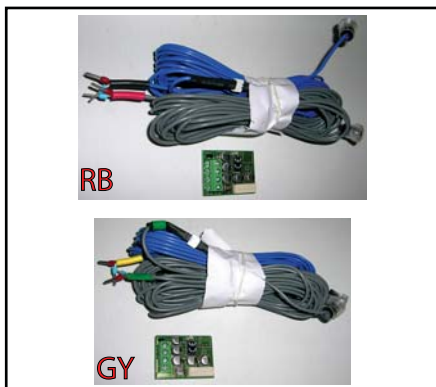
US800316
 INTERFACE BOARD FOR TEP/TXP
 (NEW STYLE, DOUBLE PLUG)



KAU.0006
 TCP.51/TCP.101 TERMINAL STRIP



US801343
 HOLDING BEAMS 7401
 (NEW STYLE, DOUBLE PLUG)



140153-RB / 140153-GY
 TORMAX HOLDING BEAMS
 (WITH BOARD, OLD STYLE)



140712
 OS12 SAFETY BEAM
 SINGLE KIT

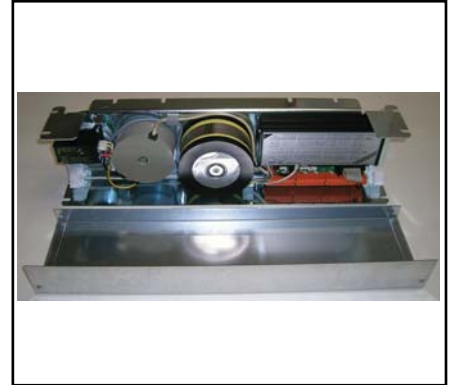
★★★★★
TORMAX
 AUTOMATIC



TLP.51U
 TLP OPERATOR
 W/ CONTROLLER



TEP.5112U - TEP OPERATOR
 W/ PROGRAMMABLE CONTROLLER
 KAU.0001 - TLP/TEP MOTOR C/W CHASIS,
 ENCODER, BRAKE, PULLEY & BELT



TXP.101 - TXP OPERATOR
 W/ CONTROLLER
 US801351 - TXP MOTOR C/W CHASIS,
 ENCODER, BRAKE, PULLEY & BELT



140209
 RUBBER FOR THE RAIL



140393 ALTA (EAGLE MOTION SENSOR)
 140453 SIGMA (WIZARD SENSOR)



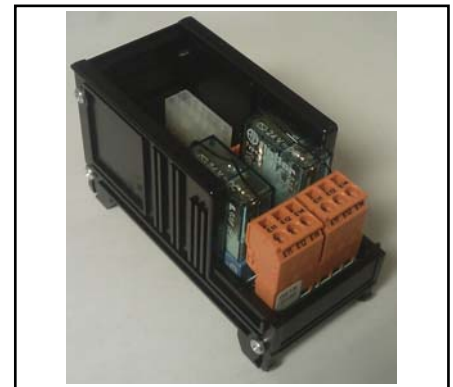
141203 - DELTA III (I-ONE SENSOR)
 US800392 - STAINLESS STEEL
 RAIN COVER



TRANSMISSION WHEEL W/O BREAK
 US801288 (TXP)
 US801289 (TEP/TLP)



US800545
 BRAKE (TEP/TLP/TXP)



SAM.EP
 INPUT / OUTPUT MODULE



140996
 TERMINAL "A"



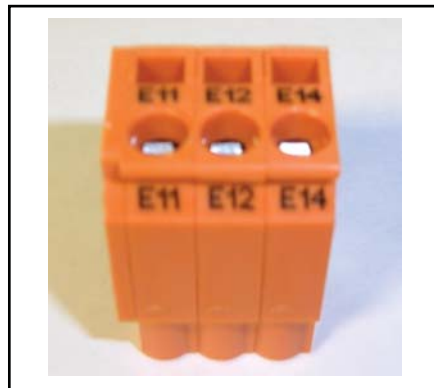
140997
 TERMINAL "B"



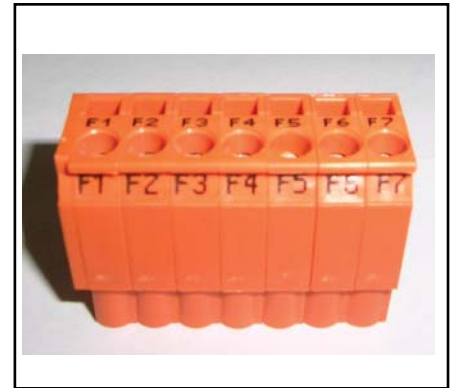
US801340
 TERMINAL "C"



US801339
 TERMINAL "D"



US801338
 TERMINAL "E"



US801337
 TERMINAL "F"



314636
 MAINS SUPPLY PRINT
 (WITH VOLTAGE SELECTOR)



US801314
 FUSE HOLDER
 (CONTROL)



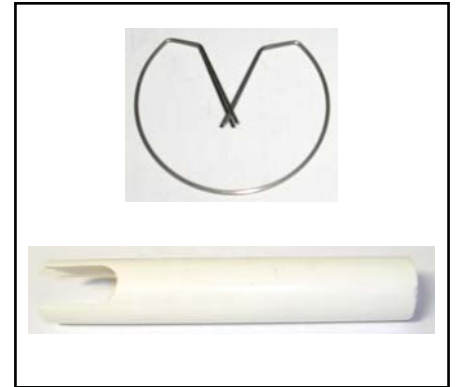
140985
 ANTI STATIC BRUSH



EAU.0006
 TCP.51/TCP.101 FLAT CABLE



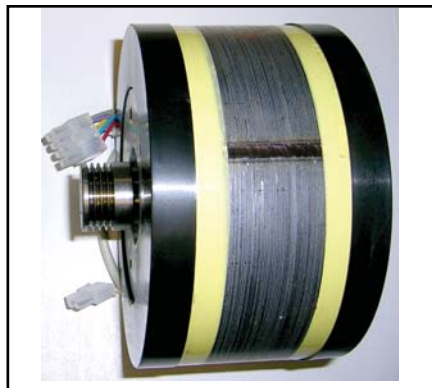
EAU.0010
 TLP/TEP/TXP ENCODER
 (WITH SPRING)



140812
 ENCODER SPRING ONLY
 140854
 ENCODER INSERTION TOOL



KAU.0018
 TLP/TEP REPLACEMENT
 MOTOR (2" WIDE)



TID.338509
 TXP REPLACEMENT
 MOTOR (2-13/16" WIDE)



EAU.0002
 TLP/TEP TRANSFORMER
 US801352
 TXP TRANSFORMER



EAU.0005
 TLP/TEP/TXP POWER PLUG



HAU.0005
 DOOR POSITION SWITCH
 (SUPPLEMENTAL LIMIT SWITCH)



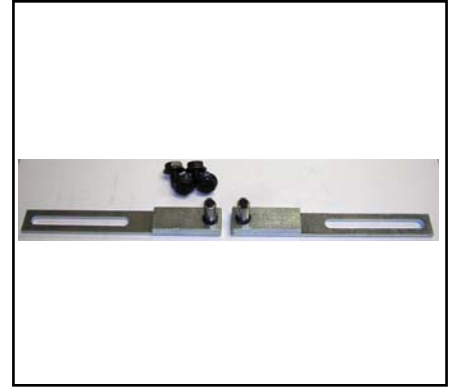
140474
 SURFACE MOUNT SO PANEL
 MAG READ SWITCH



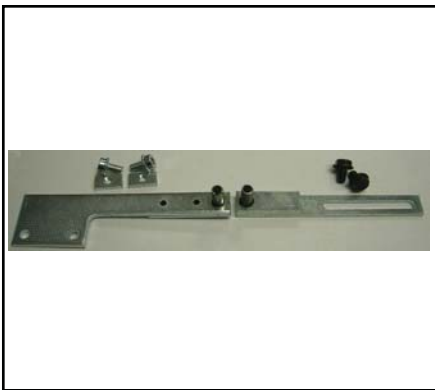
SVR.2001
ELECTRIC LOCK (LESS CAM)



SVR.EVK
ELECTRIC LOCK EXTENSION
HARNESS



SVR.NOEB
LOCKING CAMS (BI-PART)



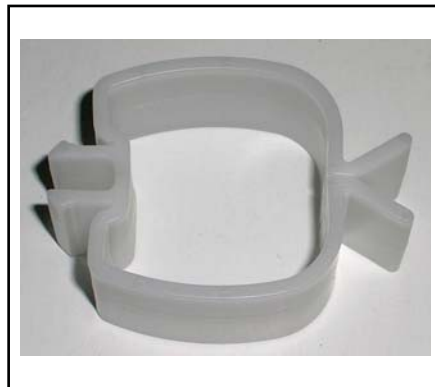
SVR.NOEL
LOCKING CAMS
FOR TX9200 LH, TX9300 RH,
TX9430 RH, TX9420 LH, TX9500 LH



SVR.NOER
LOCKING CAMS
FOR TX9200 RH, TX9300 LH,
TX9430 LH, TX9420 RH, TX9400 RH



140729
1/8" WIRE HOLDER
(ADHESIVE BACK)



140541
IN-HEADER CABLE HOLDER



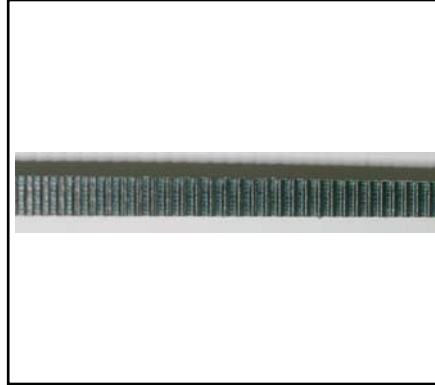
140540
TERMINAL STRIP HOLDER



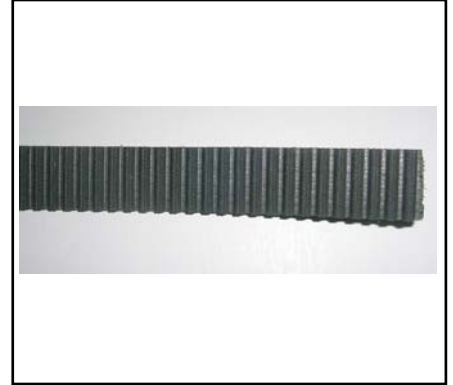
140816
TIE WRAP MOUNT
(ADHESIVE BACK)



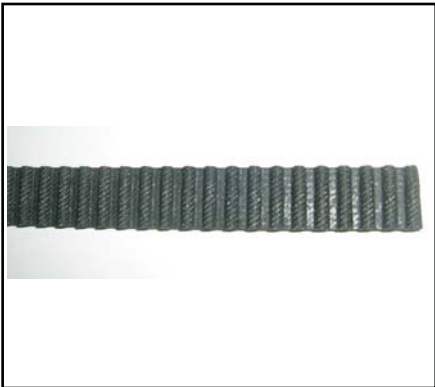
EAU.0049
 TXP ENCODER "V" BELT
 (FLAT, 3/8" WIDE)



EAU.0046
 TLP/TEP ENCODER "V" BELT
 (V BELT, 1/4" WIDE)



140191
 TXP BELT - SOLD PER FOOT
 (13/16" WIDE)



140208
 TLP/TEP BELT - SOLD PER FOOT
 (9/16" WIDE)



339866
 TXP BELT DRIVER
 (BOTTOM)



339864
 TXP BELT DRIVER
 (TOP)



FAU.007
 TLP/TEP BELT DRIVER
 (TOP)



FAU.0011
 TLP/TEP BELT DRIVER
 (BOTTOM)



110820
 LIMIT ARM ASSEMBLY
 (SO PANEL)



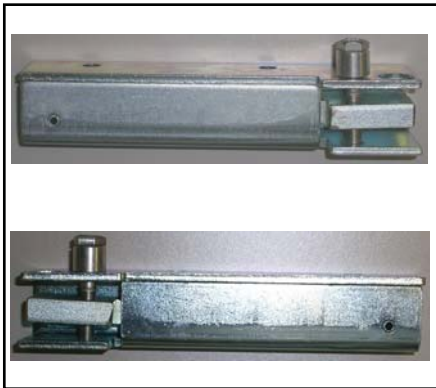
US801050
 SO BOTTOM BALL STRIKE
 (WITH SCREWS)



110986
 SO BOTTOM BALL CATCH
 (OLD STYLE)



140596
 SO TOP BALL CATCH
 (OLD STYLE)



140919 (LH) SO BTM PIVOT
 140920 (RH) SO BTM PIVOT



140587
 LH SO BOTTOM PIVOT
 (THRESHOLD PORTION)



140586
 RH SO BOTTOM PIVOT
 (THRESHOLD PORTION)



US800904
 UPPER BALL CATCH
 PANEL BRACKET



US800666
 HEAVY DUTY BALL
 DETENT ASSEMBLY



US800902 SO TOP BALL DETENT
 US800906-R SO BOTTOM BALL DETENT



110625
TX9200SM BOTTOM GUIDE
(LH, 3-1/4" TALL)



110624
TX9200SM BOTTOM GUIDE
(RH, 3-1/4" TALL)



110237
TX9200CM BOTTOM GUIDE
(LH, 2-11/16" TALL)



110236
TX9200CM BOTTOM GUIDE
(RH, 2-11/16" TALL)



2-29-0026 R
TX9300 SX BOTTOM GUIDE



140219
HINGE COVER SUPPORT



140603
HEADER LATCH (LH)



140602
HEADER LATCH (RH)



140220
HINGE STRAP

★★★★★
TORMAX
 AUTOMATIC



110445
 TLP/TEP TROLLEY HEAD



140810
 TXP TROLLEY HEAD



US800761
 4 TX9000 REPLACEMENT WHEELS
 (FOR NEW STYLE TROLLEY HEADS)



HAU.0011
 TXP RETURN PULLEY
 (1" BELT)



HAU.0001
 TLP/TEP RETURN PULLEY
 (3/4" BELT)



339873
 TXP BUMPER AND
 TROLLEY STOP



353068
 TXP ANTI-RISERS
 (4 PIECES)



140484
 TLP/TEP ANTI-RISER



FAU.0028
 TLP/TEP BUMPER AND
 TROLLEY STOP



140539
 HEADER RAIL CLAMP



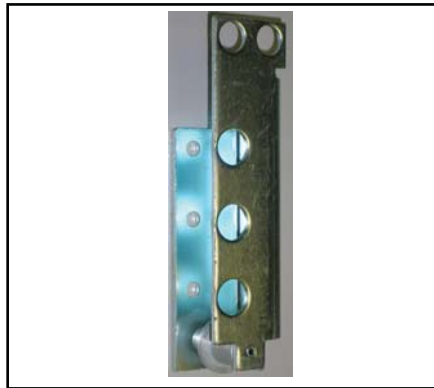
140163
 9200 HEADER O-PANEL
 BRACKET



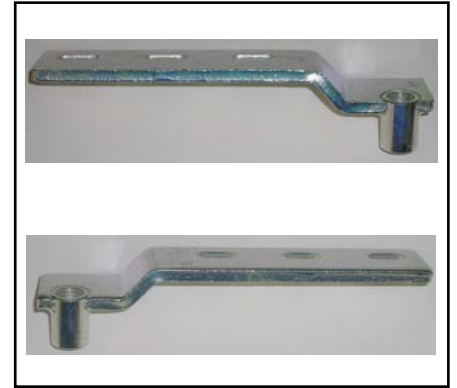
140169
 TRANSOM CLIP



140460
 LIMIT ARM TRACK



140924
 SO TOP PIVOT
 (NON HANDED)



140588 TOP SO PIVOT (LH)
 140589 TOP SO PIVOT (RH)



US800905
 9300 SO PANEL BRACKET
 (WITHOUT BRASS CATCH)



US800670
 LH 9300 SO PANEL
 MAGNET BRACKET (OLD STYLE)



US800669
 RH 9300 SO PANEL
 MAGNET BRACKET (OLD STYLE)



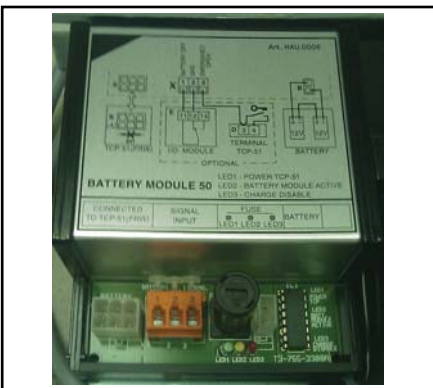
BAT.51G
LARGE BATTERY BACK-UP
(NO LONGER AVAILABLE
REPLACED BY 333850)



333850
SMALL BATTERY BACK-UP



US801213
LARGE BATTERY
REPLACEMENT (2 PIECES)



US801214
BATTERY BACK-UP MODULE



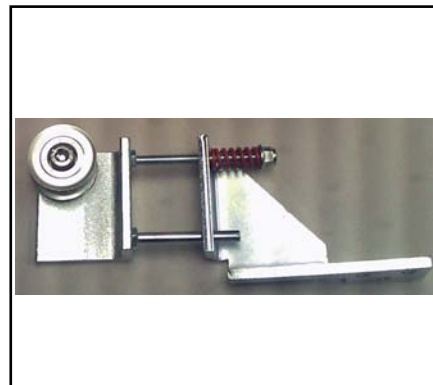
BAT.VK
EXTENSION HARNESS
FOR BATTERY BACK-UP



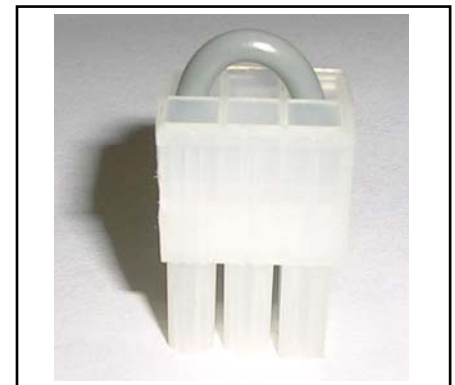
US801212
SMALL BATTERY
REPLACEMENT (2 PIECES)



TEL.BAUX
TX9430/20 RETURN PULLEY AND
GEAR REDUCTION SPROCKET



334227
TX9400 RETURN PULLEY
(INSIDE SLOW DOORS)



US801350
SHORT CIRCUIT BRIDGE
FOR BATTERY



US800666
 HEAVY DUTY BALL
 DETENT ASSEMBLY



US801025
 SX BOTTOM GUIDE
 PG SERIES (LH, 2-3/4" TALL)



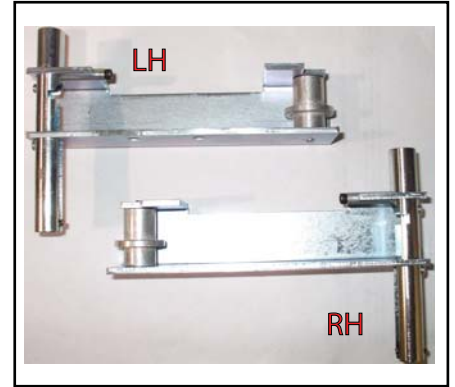
US801024
 SX BOTTOM GUIDE
 PG SERIES (RH, 2-3/4" TALL)



US801050
 SO BOTTOM BALL STRIKE
 (WITH SCREWS)



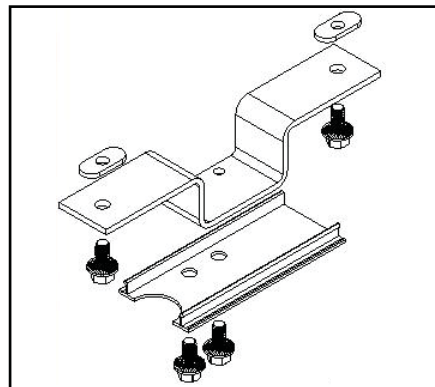
US800830 (LH), US800832 (RH)
 SO PIVOT



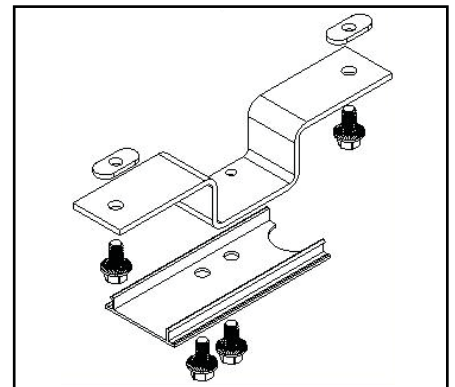
US800845 (LH), US800847 (RH)
 SO TOP PIVOT
 (DOOR PORTION)



US800906-R
 SO BOTTOM BALL DETENT



US800953
 P-PANEL MOUNTING BRACKET
 (LH)



US800952
 P-PANL MOUNTING BRACKET
 (RH)



US800841
SO PANEL BALL CATCH &
MAGNET ASSEMBLY



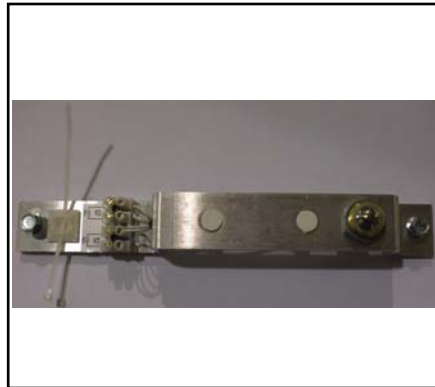
US800860
SO BOTTOM PIVOT (LH)



US800861
SO BOTTOM PIVOT (RH)



US801048
VERTICAL TRANSOM BRACKET



US800837
SO TOP BALL CATCH, BREAKOUT
& AUX SWITCH ASSEMBLY



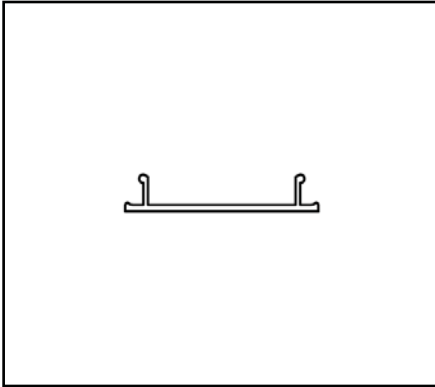
US800849
LH SO PIVOT
(HEADER PORTION)



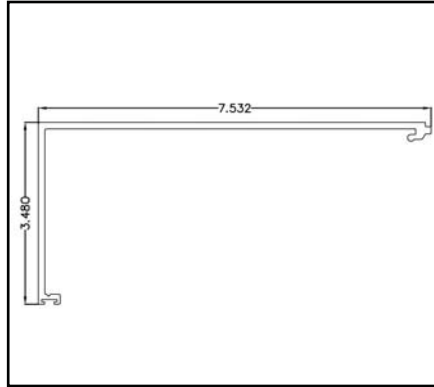
US800851
RH SO PIVOT
(HEADER PORTION)



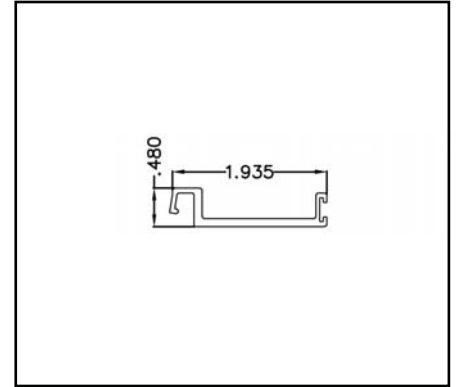
140142
HOOK BOLT ASSEMBLY



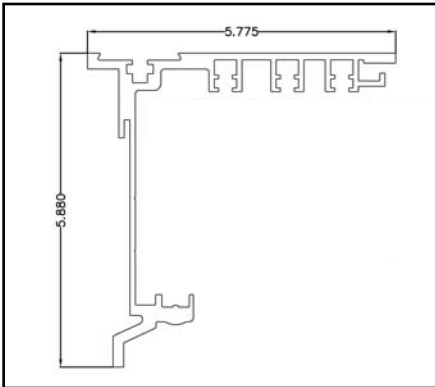
014.8880
 COMDOR COVER



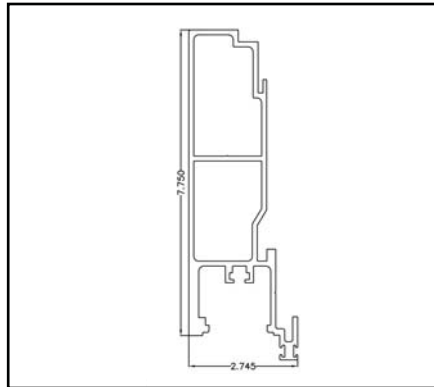
US800811
 HINGED COVER TEP



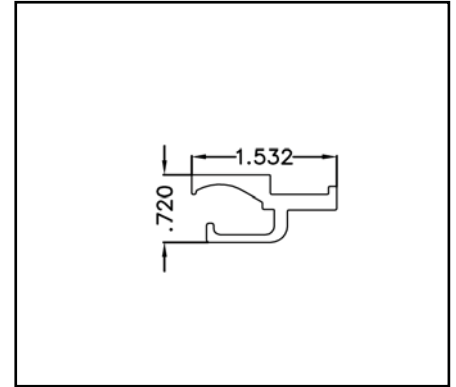
US800812
 HINGED COVER ADAPTOR
 FOR TXP & IP-65



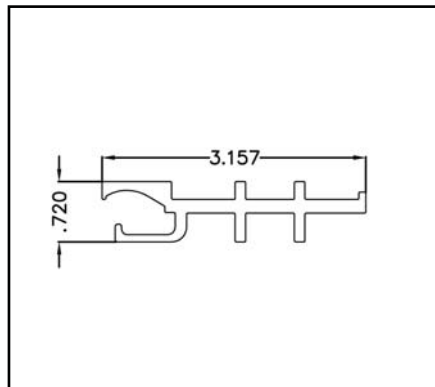
US800813
 HINGED HEADER
 COMPONENT HALF



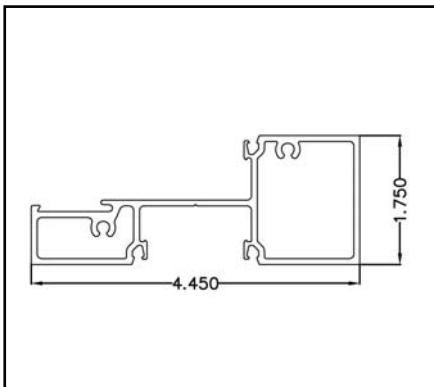
US800814
 HINGED HEADER
 SUPPORT HALF



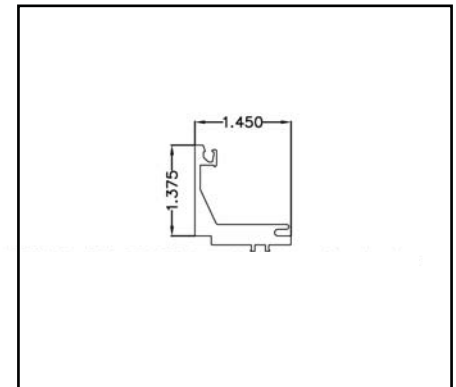
US800815
 COVER HINGE



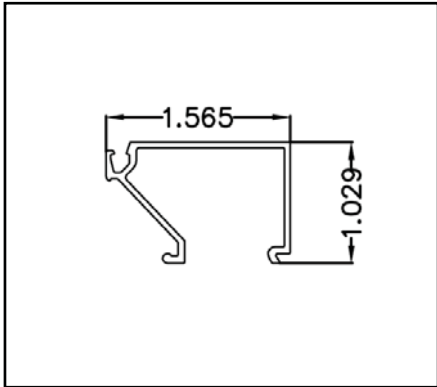
US800816
 COVER HINGE ADAPTOR FOR
 TXP & IP-65



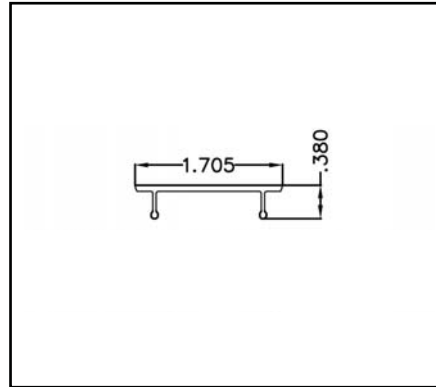
US800824
 PG HORIZONTAL JAMB



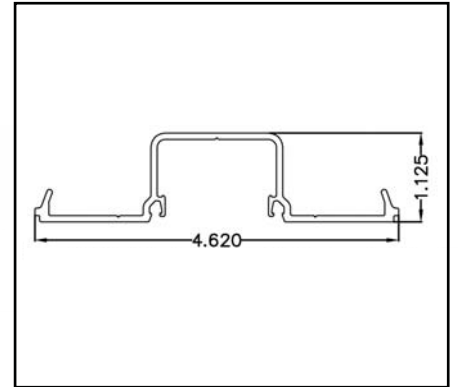
US801041
 PG SNAP IN GUTTER
 FOR HEADER



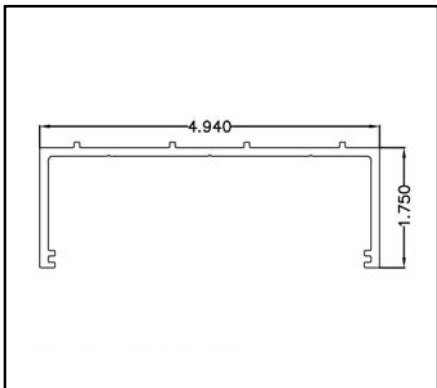
US800826
 PG FACE HORIZONTAL JAMB



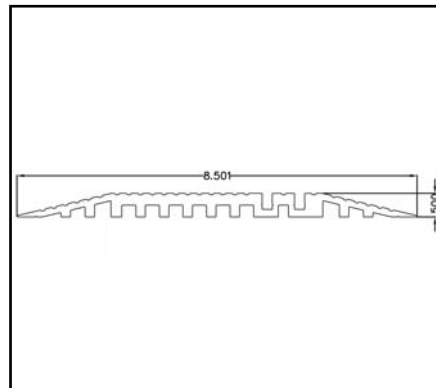
US800827
 PG JAMB SNAP IN
 FILLER STRIP



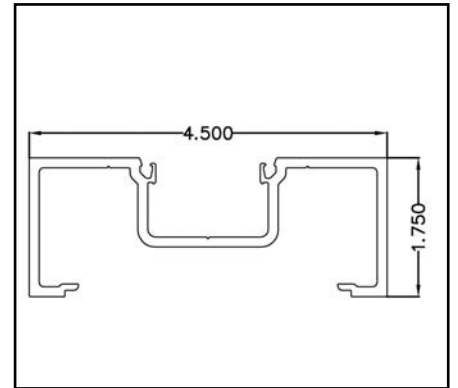
US800828
 PG HORIZONTAL POCKET PLATE



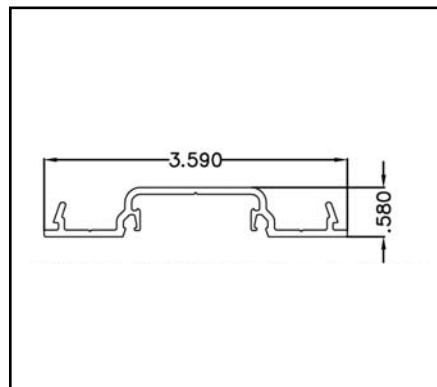
US800829
 PG HORIZONTAL HEADER
 POCKET



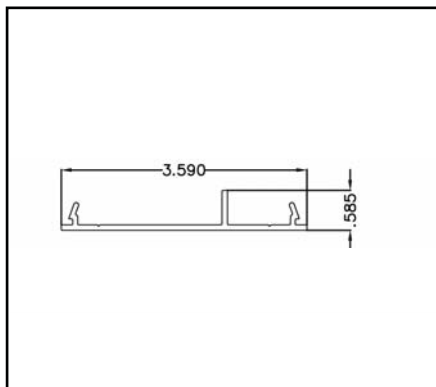
US800960
 THRESHOLD - DOUBLE BEVELED



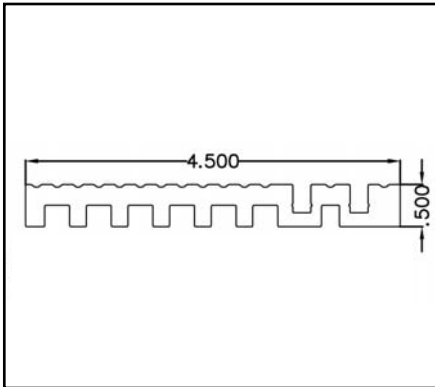
US800956
 PG JAMB TUBE



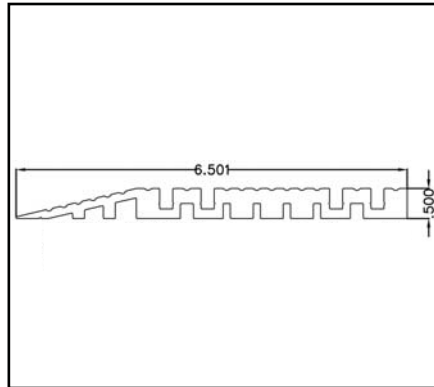
US800957
 PG JAMB SNAP IN GUTTER



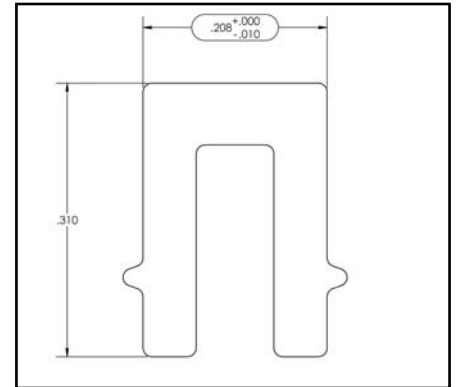
US800958
 PG JAMB SNAP IN
 BACK PLATE



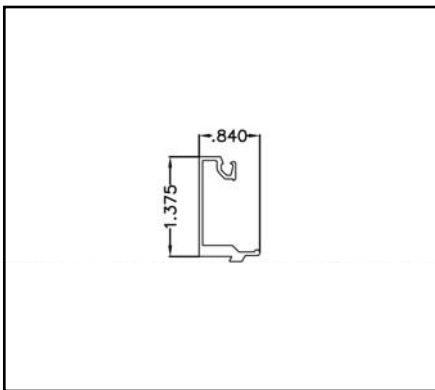
US800961
 THRESHOLD - RECESSED



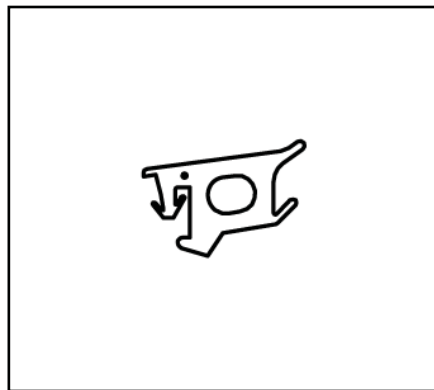
US800962
 THRESHOLD - COMBINATION



US800965
 THRESHOLD INSERT, SNAP IN



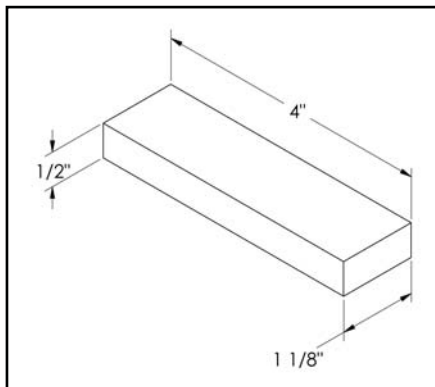
US801042
 PG SNAP IN FACE
 FOR HEADER



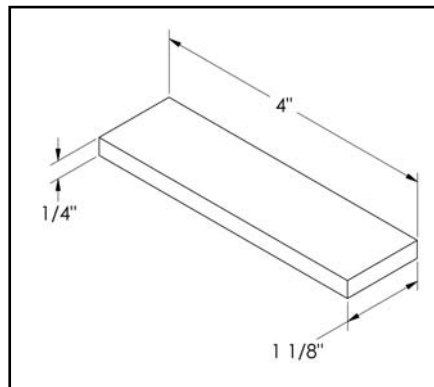
US801051
 GLAZING GASKET FOR 1/4" PG



US800822
 GLAZING GASKET FOR 1" PG



US801044
 1/2" TRANSOM SETTING BLOCK



US801043
 1/4" TRANSOM SETTING BLOCK



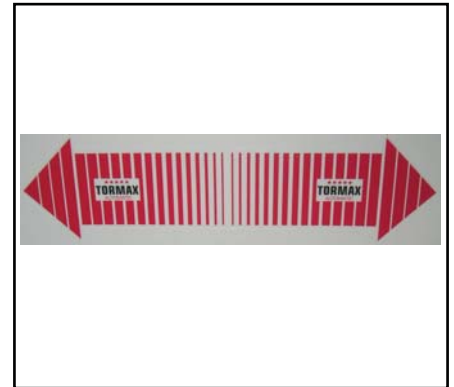
140283

"AUTOMATIC DOOR - CAUTION"
 WINDOW DECAL



140406

DAILY SAFETY CHECK DECAL
 (FOR SLIDING DOORS)



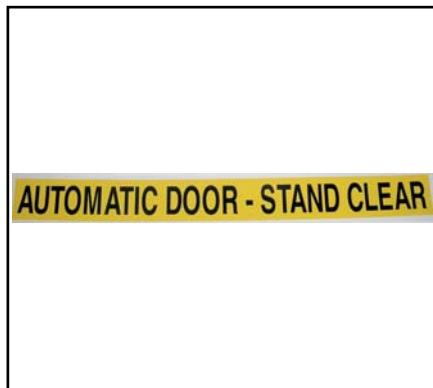
390.9362

TORMAX SLIDING DOOR
 ARROWS WINDOW DECAL



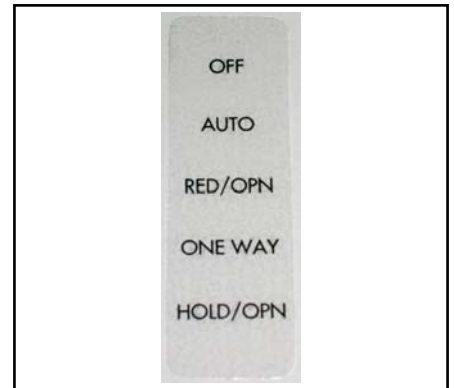
140287

"IN EMERGENCY PUSH
 TO OPEN" DECAL



US800350

"AUTOMATIC DOOR -
 STAND CLEAR" DECAL



US800198

FUNCTION CONTROL PAD
 LABEL DECAL



US801204

HANDICAP WINDOW DECAL



390.9392

TORMAX DECAL



US800943

SERVICE SOFTWARE
 (CD, USB AND CONNECTOR CABLES)



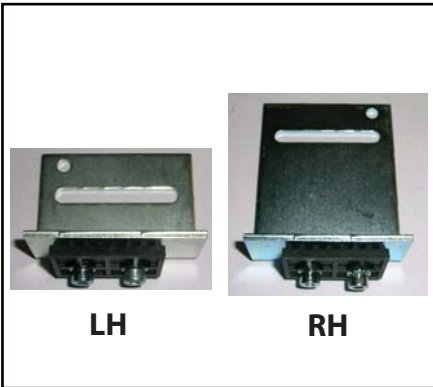
EAU.0048
M6X8 SCREW



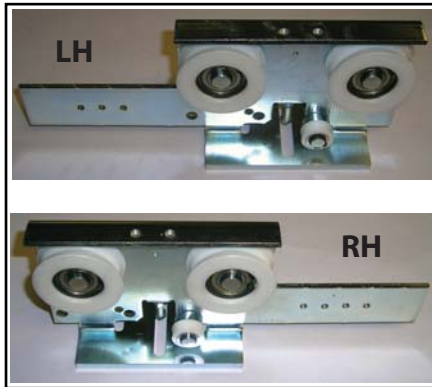
EAU.0020
M6X10 SCREW



EAD.1125
THREAD PLATE



US801414 - LEFT
US801413 - RIGHT
TELESCOPIC BELT DRIVER



US801451 - LEFT HAND
US801450 - RIGHT HAND
SLOW MOVING TELESCOPIC
HD TROLLEY



140177
SIDE PLATE - CONTROL BOX



US800864
FUSE T8 (TXP)



330.11034
 MICROWAVE MOTION SENSOR
 RK 33C-P, WITH DIRECTION
 RECOGNITION (BLACK)



330.9409
 RECESS MOUNTING BOX FOR
 CEILING INSTALLATION FOR
 RK 33C-P SENSORS (IP.65 RATING)



SPS.PAKA
 FRAME WITH TRANSPARENT
 COVER, SURFACE MOUNTED
 (IP.55 RATING)



TEP.IP65
 SPLASH PROOF TEP OPERATOR



TXP.IP65U
 SPLASH PROOF TXP OPERATOR



US800753
 RETURN PULLEY TEP
 (IP.65)



US800755
 TXP IP.65 TROLLEY HEAD
 (SINGLE HEAD REPLACEMENT)



344182
 TEP/TLP IP.65 TROLLEY HEAD
 (SINGLE HEAD REPLACEMENT)



US800757
 RETURN PULLEY TXP
 (IP.65)



US800759
 TROLLEY HEAD ROLLER
 (TEP/TXP IP.65)



US800760
 ANTIRISER WHEEL ASSEMBLY
 TROLLEY HEAD (TEP IP.65)



TID.10213
 ENCODER
 (TEP/TXP IP.65)



TEP/TLP IP.65 BELT DRIVER
 US800751 - TOP
 US800752 - BOTTOM



TXP IP.65 BELT DRIVER
 402920 - TOP
 402921 - BOTTOM



US800758
 TROLLEY HEAD DOOR STOP
 BRACKET "L" (TEP/TXP IP.65)



US800754
 DOOR STOP - TXP
 (IP.65)



US800756
 DOOR STOP - TEP/TLP
 (IP.65)



US801104
iMOTION 2301 DRIVE UNIT



US801407
iMOTION 2401 DRIVE UNIT



US801101
FUNCTION CONTROL PANEL
(2301/2401)



US801385 (NEW)
US801386 (REBUILT,
WARRENTY EXCHANGE ONLY)
iMOTION 2301 CONTROL UNIT



US801401 (NEW)
US801402 (REBUILT,
WARRENTY EXCHANGE ONLY)
iMOTION 2401 CONTROL UNIT



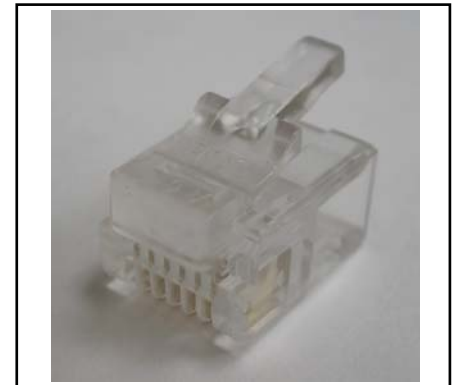
US801423
FUNCTION CONTROL PANEL
ASSEMBLY (FLUSH MOUNT)
(2301/2401)



US801197
DATA AND PHONE TOOL
(2301/2401)



US801198
6-POLE CABLE
(SOLD PER FOOT)
(2301/2401)



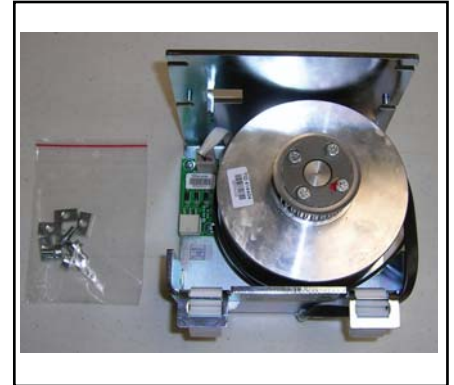
US801199
6C6P PLUG
(2301/2401)



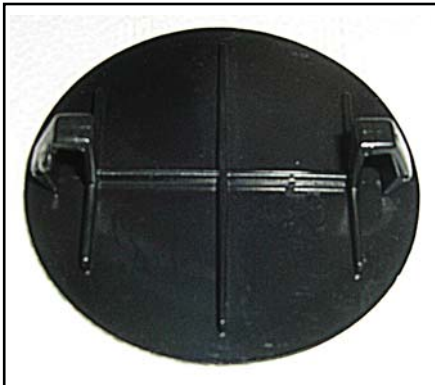
US801400
 EXTENSION CABLE
 MOTOR - CONTROL UNIT (59")
 (2301/2401)



US801381 (NEW)
 US801382 (REBUILT,
 WARRENTY EXCHANGE ONLY)
 iMOTION 2301 MOTOR UNIT



US801383 (NEW)
 US801384 (REBUILT,
 WARRENTY EXCHANGE ONLY)
 iMOTION 2401 MOTOR UNIT



US801421
 ENCODER OPENING COVER
 (2301/2401)



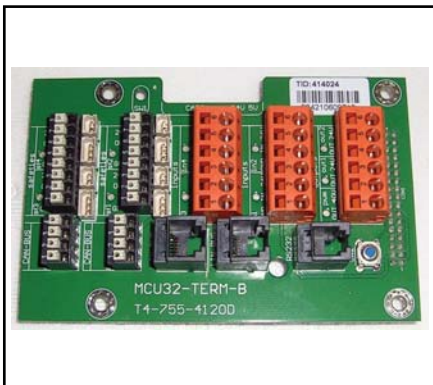
US801380
 MOTOR CABLE
 (2301/2401)



US801422
 ENCODER CABLE
 (2301/2401)



US801420
 BRAKE MODULE
 (2301/2401)



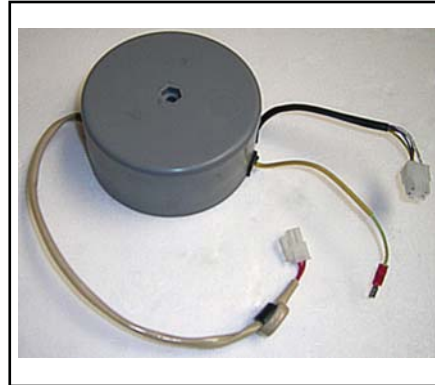
US801311
 TERMINAL MODULE
 (2301/2401)



US801312
 BASIC MODULE
 (2301/2401)



US801419
 iMOTION 2301 TRANSFORMER



US801441
 iMOTION 2401 TRANSFORMER



US801412
 MAINS CABLE
 (2301/2401)



US801418
 iMOTION 2301 POWER SUPPLY
 MODULE



US801392
 iMOTION 2401 POWER SUPPLY
 MODULE



US801314 - FUSE HOLDER
 (2301/2401)
 332362 - T5A FUSE
 (2301/2401)



US801411
 ANGLED 2401 POWER PLUG



EAU.0005
 STRAIGHT 2301 POWER PLUG



314636
 MAINS FILTER
 (2301/2401)



US801212
 BATTERY 24V, 1Ah
 (2 PIECES, 2301/2401)



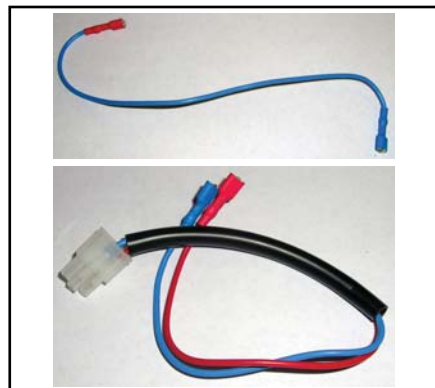
US801399
 BATTERY MODULE
 (2301/2401)



US801405
 I/O MODULE - WITHOUT LIN BUS
 INTERFACE HARNESS ASSEMBLY
 (2301/2401)



US801105
 BATTERY UNIT
 (2301/2401)



US801415 - (2301/2401)
 BATTERY SERIAL CONNECTION
US801416 - (2301/2401)
 CONNECTION CABLE FOR BATTERY



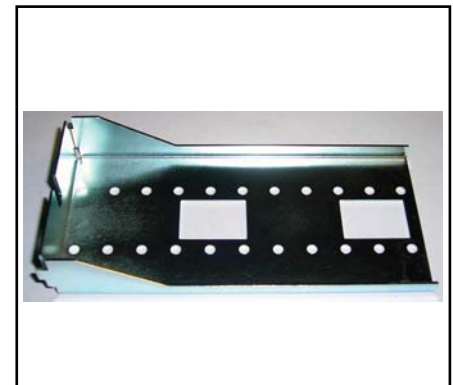
US801417
 BATTERY CONNECTION CABLE
 (2301/2401)



US801106
 LOCK UNIT - WITHOUT LIN BUS
 INTERFACE HARNESS ASSEMBLY
 (2301/2401)



US801449
 2301/2401 LIN BUS INTERFACE
 CABLE ASSEMBLY (10FT)
 USED WITH E.L./I.O./F.C.P.



US801406
 I/O MOUNTING BRACKET
 (2301/2401)