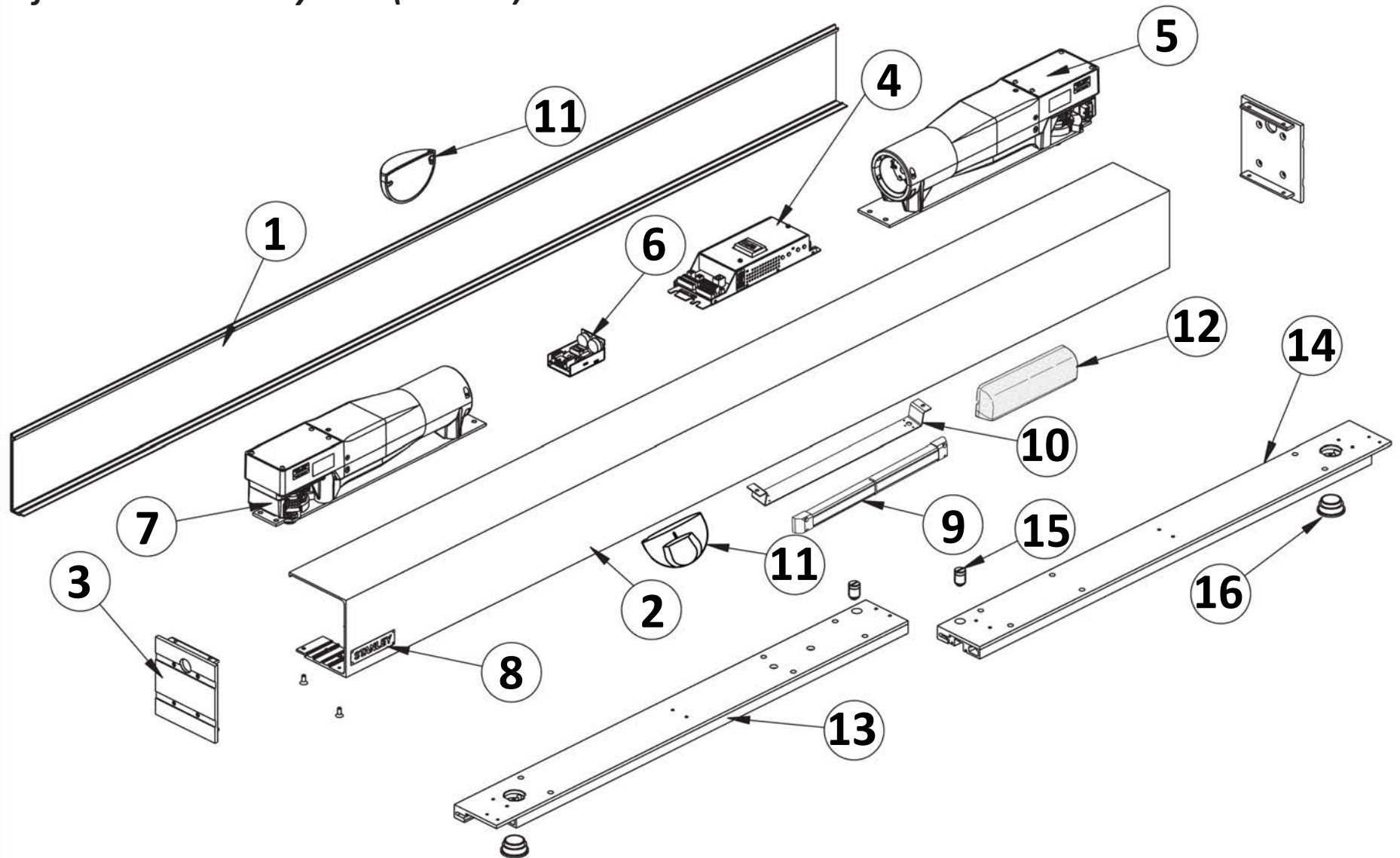


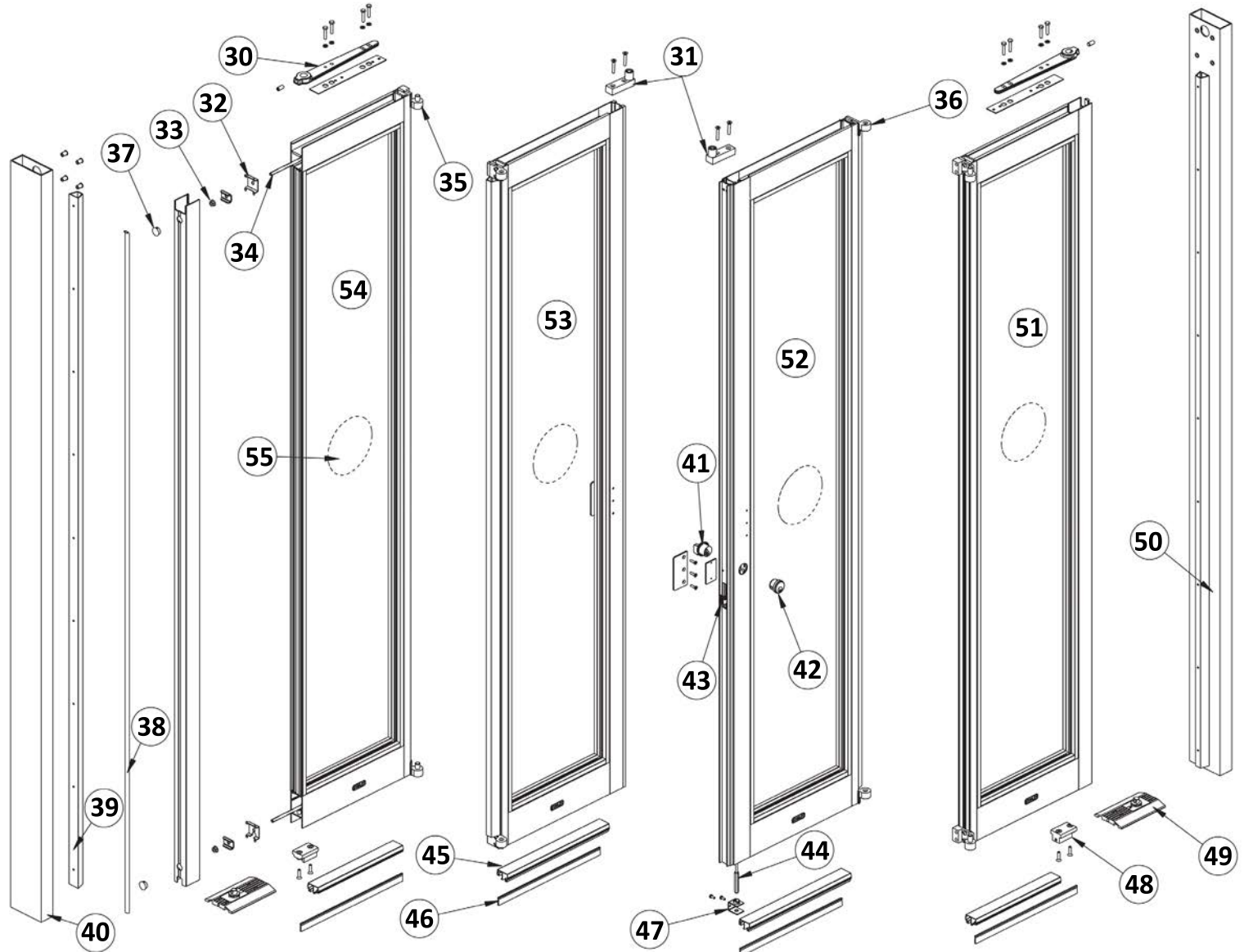
## Bifold Series Door System (Header)



## Bifold Series Header Replacement Parts List

REF	#PART	DESCRIPTION
		*Must specify length and finish
1.....	410861-20000*	HEADER
2.....	516390-18000*	COVER
3.....	514822	END CAP
4.....	313975	KIT-MC521 M/FORCE DUAL
5.....	313852	OPERATOR-MAGIC FORCE
6.....	516660	CLOSE CONTROL ASSY
7.....	191841	SWITCH MODULE ASSY
8.....	712176	LOGO-STANLEY
9.....	934312965	STANGUARD SENSOR PKG
10.....	111522	STANGUARD BRACKET
11.....	516669	SU-100 MOTION SENSOR
12.....	413647	SENSOR-OPTEX: OA601CBL
13.....	111517C	4 PANEL BREAKOUT ASSY, LH
14.....	111516C	4 PANEL BREAKOUT ASSY, RH
15.....	708824	DETENT-BALL-SPRG-LOADED-SO
16.....	4133678	PIVOT COLLAR
17.....	111583C	2 PANEL BREAKOUT ASSY, LH ( <b>not shown</b> )
18.....	111522C	2 PANEL BREAKOUT ASSY, RH ( <b>not shown</b> )
19.....	112006	2 CH ENCODER ASSY ( <b>not shown</b> )

## Bifold Series Door System Replacement Parts (Panels)



**NOTE:**  
4-PANEL BIFOLD  
DOOR SYSTEM  
SHOWN

## Bifold Series Panel Replacement Parts List

REF	#PART	DESCRIPTION	REF	#PART	DESCRIPTION
30	907311652	DOOR ARM, ARM-DOOR ASSY-CENTER PIVOT	47	713416	BOTTOM GUIDE LOCK
31	413379	FOLLOWER ASSY	48	413436	BOTTOM PIVOT BLOCK
32	412479	CLIP-LOCATING	49	312903-1	BOTTOM PIVOT PKG., ADJUST, TAPER SURF
33	706233	NUT-HEX-FLANGED, 5/16-18	50	111924C	JAMB ASSY
34	G711483	TIE ROD	51	111928C	PANEL ASSY, FO-FS-LH
35	413427	HINGE LH	52	111933C	PANEL ASSY, FI-LOCK
36	413426	HINGE RH	53	111935C	PANEL ASSY, FI-STRIKE
37	710241	PLUG, HOLE-GRAY	54	111926C	PANEL ASSY, FO-FS-RH
38	712044-1	PILE	55a	410796	LABEL CAUTION AUTO DOOR
39a	312959	FINGER GUARD KIT-83 INCH	55b	511164	DECAL-IN DO NOT ENTER
39b	362959	FINGER GUARD KIT-SP LENGTH	55c	511165	DECAL-OUT DO NOT ENTER
40	411878	JAMB EXTRUSION, 4.500"	56	412615	DECAL-"AUTOMATIC DOOR" (not shown)
41	709221	THUMBTURN LOCK	57	313726	ALARM CONTACT, KIT REED SW (not shown)
42a	710632	CYLINDER LOCK, KEYED ALIKE	58	313653	HARDWARE PKG. (not shown)
42b	706668	CYLINDER-LOCK	59	313650	HARDWARE PKG. – WIRING (not shown)
42c	713763	CYLINDER-SCHLAGE LOCK	60	711474	NUT-TIE ROD 5/16-18 (not shown)
43	413810	LOCK, EXTENDED HOOK, 8 LAMINATIONS	61	111927C	PANEL ASSY, FI-FS-LH (not shown)
44	413811-1	ROD ASSY, THROW BOLT 30-3/8	62	111925C	PANEL ASSY, FI-FS-RH (not shown)
45a	413432-1	4-PANEL SWEEP HOLDER-FS	63	111934C	PANEL ASSY, FO-LOCK (not shown)
45b	413432-2	4-PANEL SWEEP HOLDER-FX	64	111936C	PANEL ASSY, FO-STRIKE (not shown)
46a	710739-12000	BRUSH BOTTOM SWEEP			
46b	413433-1	4-PANEL BOTTOM SWEEP-FS			
46c	413433-2	4- PANEL BOTTOM SWEEP-FX			