

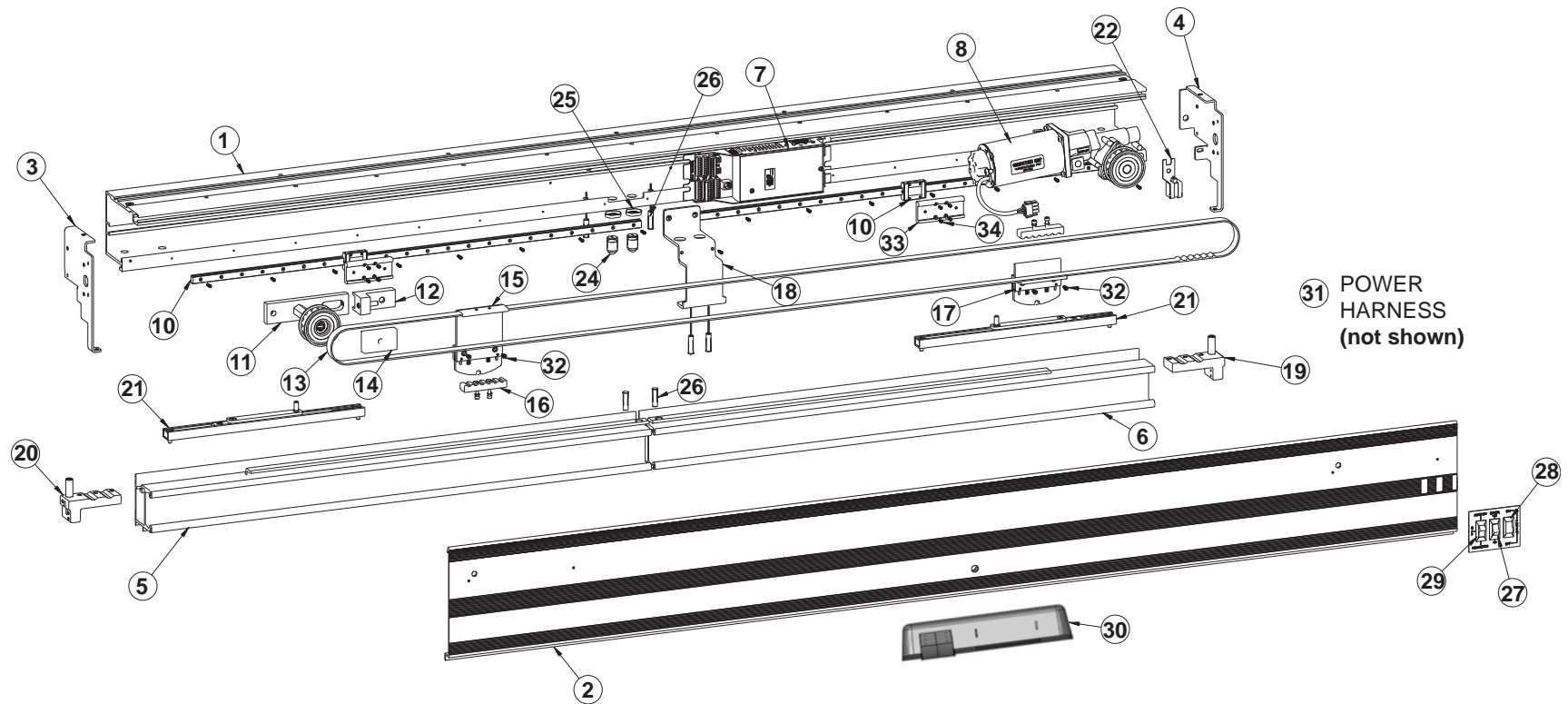
STANLEY

Access Technologies



Replacement Parts

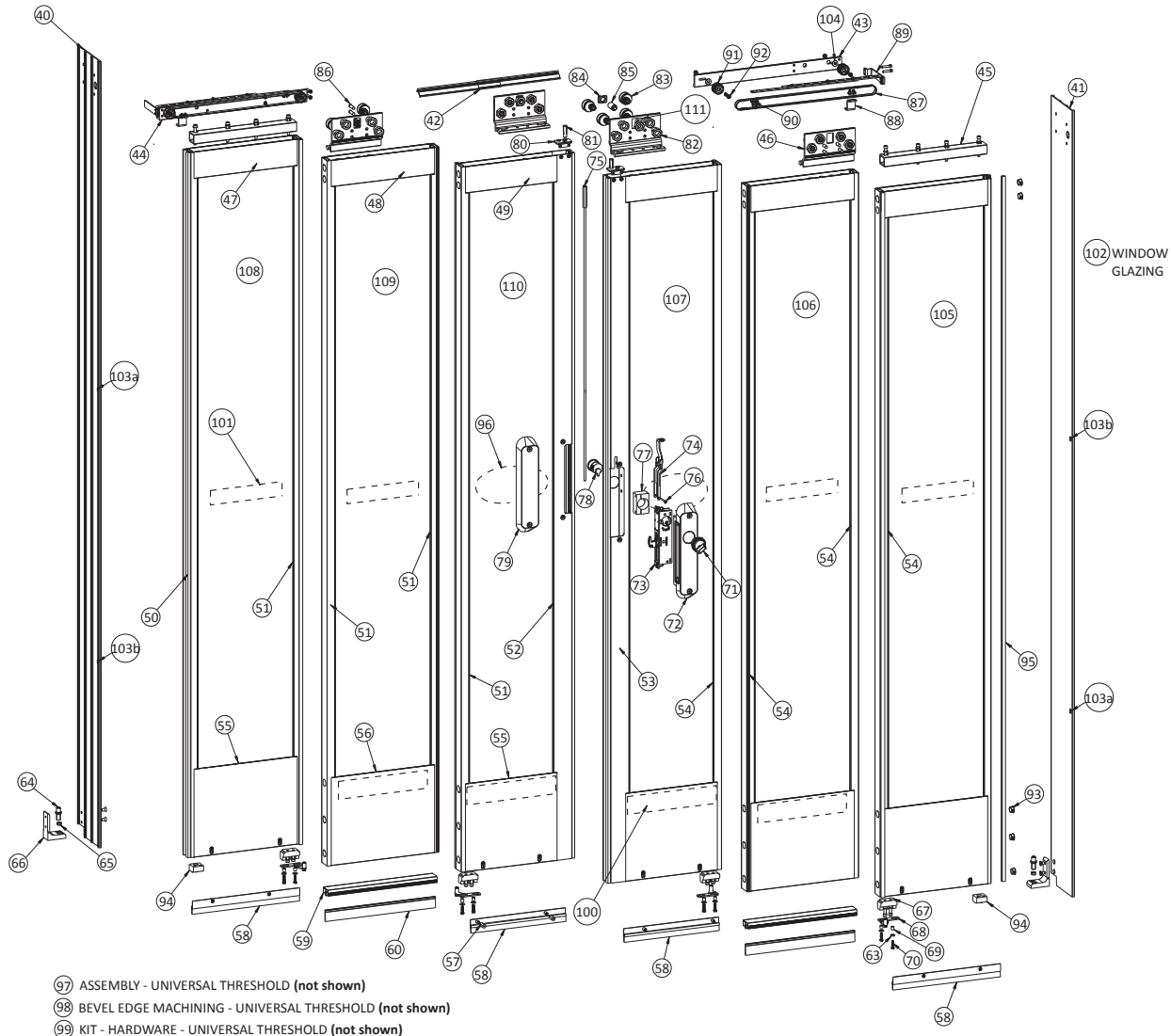
Dura-Max 5400 Series Door System (Header)



Dura-Max 5400 Series Replacement Parts List

REF	#PART	DESCRIPTION
		*Must specify length and finish, and machining if necessary
1.....	517085*	HEADER, UPPER
2.....	517087*	COVER
3.....	191118-2	END PLATE BRACKET-HEADER-RH
4.....	191118-1	END PLATE BRACKET-HEADER-LH
5.....	517086	HEADER, LOWER BREAKOUT, RH
6.....	517086	HEADER, LOWER BREAKOUT, LH
7.....	314117	MC521 PRO CONTROLLER RPC
8.....	972313027	MOTOR & GEARBOX ASSY
10a.....	714537-1	BALL BEARING SLIDE AND TRACK (81" or less HEADER LENGTH)
10b.....	714537-2	BALL BEARING SLIDE AND TRACK (81" + HEADER LENGTH)
11.....	413348	IDLER ASSY
12.....	515059	ANCHOR ASSY
13.....	711450	BELT-TIMING-3/4", LONG LENGTH
14.....	417023	BLOCK ADJUSTMENT-IDLER PULLEY
15.....	517105	BELT BRACKET ASSY-LONG
16.....	411507	CLAMP - BELT
17.....	517104	BELT BRACKET ASSY-SHORT
18.....	417029	PLATE-LOCKING-HEADER
19.....	517117-1	PIVOT ASSY-HEADER-LH
20.....	517117-2	PIVOT ASSY-HEADER-RH
21.....	417066	DOOR HOLDER ASSY
24.....	708824	DETENT-BALL-SPRG LOADED-SO
26.....	711463	MAGNET ALARM/BREAKOUT SWITCH SET
27.....	713080	SWITCH – ROCKER ONEWAY/RED OPEN
28.....	713081	SWITCH-ROCKER POWER W/LIGHT
29.....	713082	SWITCH-ROCKER AUTO/CLS/OPEN
30.....	713869	WIZARD II SENSOR
31.....	517196	HARNESS POWER-DURAMAX 5400
32.....	714531	SCREW SOCKET HEAD FLAT #8-32 x 7/16"
33.....	417218	ADAPTER BLOCK
34.....	714535	SCREW-FLAT HEAD M3 X 8MM

Dura-Max 5400 Series Door System (Panels)

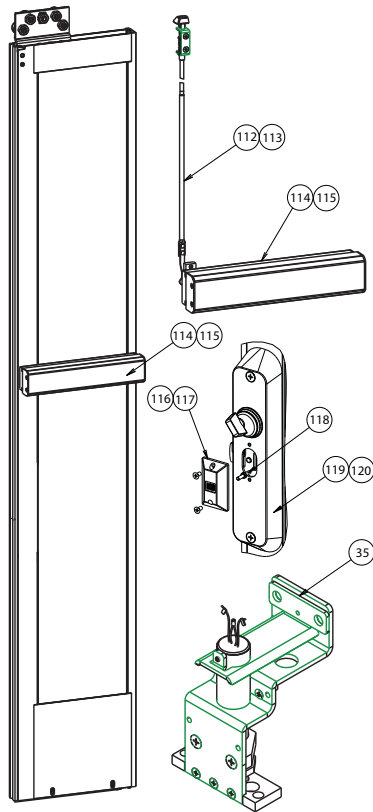


Stanley Access Technologies • 65 Scott Swamp Road • Farmington, CT 06032
1-800-7ACCESS

Dura-Max 5400 Series Replacement Parts List

REF	#PART	DESCRIPTION	REF	#PART	DESCRIPTION
		*Must specify length and finish			*Must specify length and finish
40		JAMB-RH	85	714365	SPRING PLUNGER
41		JAMB-LH	86	714408	STANDOFF, #8-32 X .937" TALL
57	714392	STANDOFF, MALE TO FEMALE, #10-32 X 3/4"	87	417061	TIMING BELT, 1/5" PITCH 3/8" WIDE
58	417179-09600	SWEEP HOLDER-BOTTOM-SO / SX FAST	88	417060	BRACKET-TIMING BELT-LOWER
59	5M7101-17500	BOTTOM GUIDE, SWEEP HOLDER-EXTRUSION	89	417131	BRACKET-TIMING BELT
60	710739-12000	BRUSH, BOTTOM SWEEP-SX SLOW	90	417057	CLAMP-TIMING BELT 1/5" PITCH-MACHINED
63	382012499	WASHER-PLAIN-7/32 ID X 1/2 OD	91	714363	TIMING PULLEY, 1/5" PITCH
64	708950	PIVOT-BOTTOM-SO PANEL	92	714443	SCREW-SHC 1/4 X 3/4 #10-32
65	380273499	NUT-HEX-JAM- 7/16 - 20	93a	714499	PLUG-SNAP IN-BLACK 5/8"
66	417035	PIVOT BASE-JAMB MOUNTED-MACHINED	93b	714499-1	PLUG-SNAP IN-GREY 5/8"
67	417049	MOUNTING BLOC-BOTTOM GUIDE	94	417047	BOTTOM PIVOT ASSY
68a	417024-1	BOTTOM GUIDE ASSY-LH	95	411624-1	PILE-NON ADHESIVE BACKED-BROWN
68b	417024-2	BOTTOM GUIDE ASSY-RH	96	714494	LABEL - IN EMERGENCY PUSH TO OPEN
69	417221	BUSHING-5/16 OD X 11/32L. 192 ID	100	410796	LABEL - CAUTION AUTO DOOR
70	714539	SCREW-HHC #10-24 X 3/4 W/PATCH	101	709480	LABEL-CAUTION
71a	709221	THUMBTURN LOCK-CLEAR	102(not shown)	417028	VINYL-GLAZING CUSTOM
71b	709647	THUMBTURN LOCK-BLACK	103a	517211	PHOTOBEAM-PRO SENSOR AND CABLE
72	517107-1	ESCUCHION PLATE, LOCK	103b	517211-1	PHOTOBEAM-PRO SENSOR ONLY
73	515258	LOCK 1-POINT	104	714477	WASHER 13/64 ID X 1/2 OD
74	517103	OFFSET LINKAGE ARM, MORTISE LOCK	105	191087	PANEL ASSY-LH-SO
75	413811-5	ROD ASSEMBLY, THROW BOLT 34-1/2	106	191088	PANEL ASSY-LH-SLOW
76	417069	ATTACHMENT PIN, LINKAGE ARM	107	191089	PANEL ASSY-LH-FAST
77	417055	BACKING PLATE, LOCK CYLINDER-FLUSH MNT	108	191090	PANEL ASSY-RH-SO
78	714350	LOCK CYLINDER W/IC CORE-MORTISE	109	191091	PANEL ASSY-RH-SLOW
79	517107-2	ESCUCHION PLATE, STRIKE	110	191092	PANEL ASSY-RH-FAST
80A	417071	LOCKING BAR GUIDE-MACHINED	111	717644	WASHER-PLAIN 5/8" X 1"
83	714335	LOAD WHEEL-TELESCOPIC-2 PC			
84	417181	NUT-SPRING PLUNGER			

Dura-Max 5400 Series Door System (Options)



REF	#PART	DESCRIPTION
35	417281-1	SOLENOID LOCK - FAIL SAFE
35	417281-2	SOLENOID LOCK - FAIL SECURE
Not Shown	516871	SOLENOID LOCK-POWER SUPPLY
Not Shown	714055	SOLENOID LOCK PLUG- TERMINAL BLOCK-10 POS.
Not Shown	413550	ROTARY SWITCH ASSY
Not Shown	414107-1	HARNES-ROTARY SWITCH TO CONTROL BOX
Not Shown	413733-2	HARNES-PWR-D/G-ROT/KEYSW 180"
Not Shown	313943	RETROFIT-DOOR POSITION SWITCH-SINGLE
Not Shown	313943-1	RETROFIT-DOOR POSITION SWITCH - DUAL
Not Shown	713899	KIT-JAMB CAMERA
Not Shown	713900	KIT-JAMB CAMERA POWER SUPPLY
Not Shown	713901	HARNES-VIDEO OUTPUT
Not Shown	714568	SPLITTER-POWER SUPPLY - 4 WAY
112	1000025-1	THROW RD ASSY - LH
113	1000025-2	THROW RD ASSY - RH
114	1000026	PANIC BAR (CLEAR)
115	1400026	PANIC BAR (BLACK)
116	413162	EXIT INDICATOR - CLR
117	433162	EXIT INDICATOR - DK BRZE
118	417337	PIN-LOCK EXIT INDICATOR
119	537107-3	ESCUCHION PLATE, LOCK FOR EXIT INDICATOR (CLR)
120	537107-3	ESCUCHION PLATE, LOCK FOR EXIT INDICATOR (BLK)

STANLEY[®]

Access Technologies