



EXPLODED VIEWS & PARTS LIST

EVPL-07

Effective September 1, 2007

Updated January 2019

**Prices to this booklet are subject to rounding up
to the nearest dollar without notice.**

record-USA

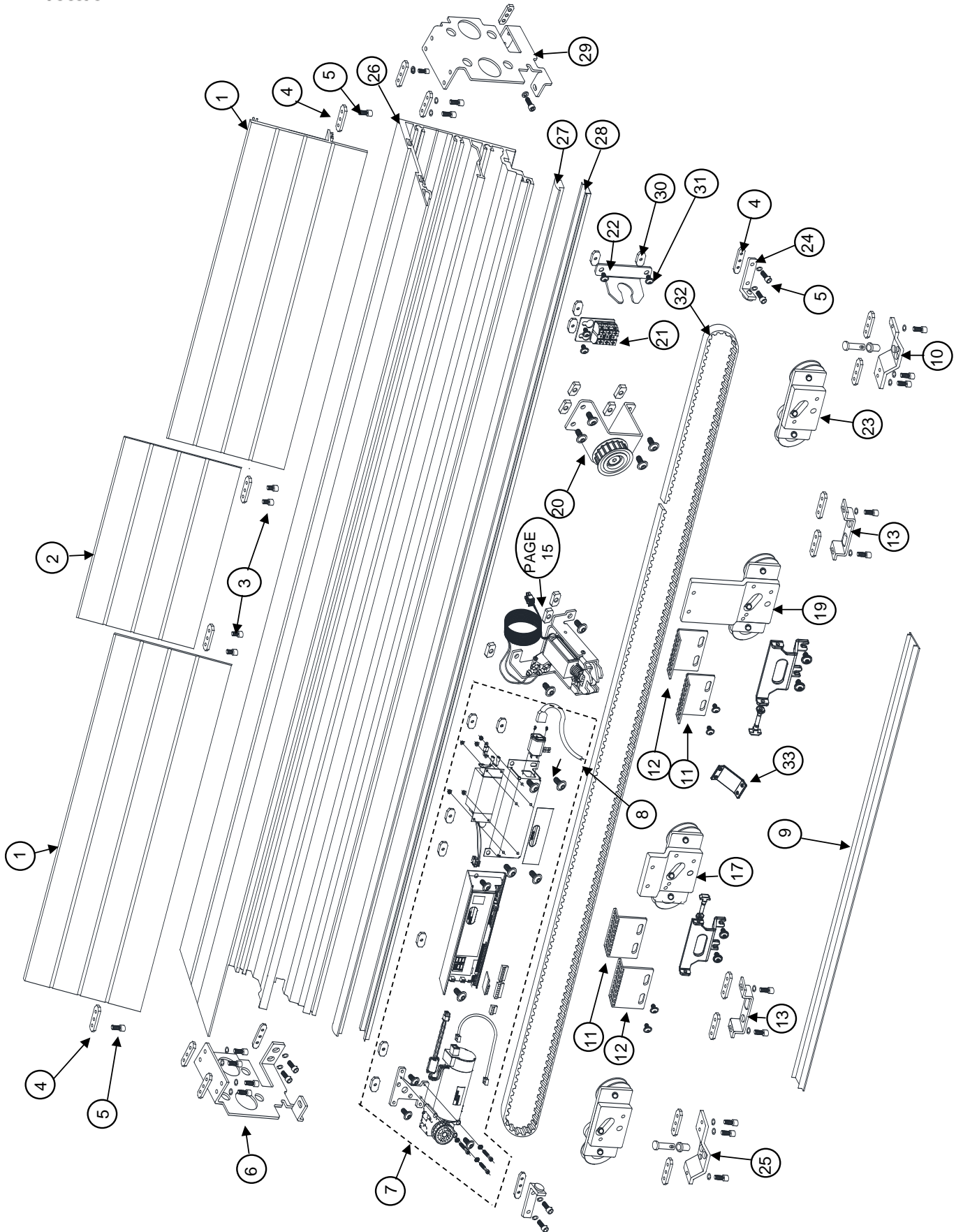
4324 PHIL HARGETT COURT (28110) • POST OFFICE BOX 3099 • MONROE, NC 28111-3099 USA
800-438-1937 WATS • 704-289-2024 FAX

BLANK



EXPLODED VIEWS & PARTS LIST INDEX

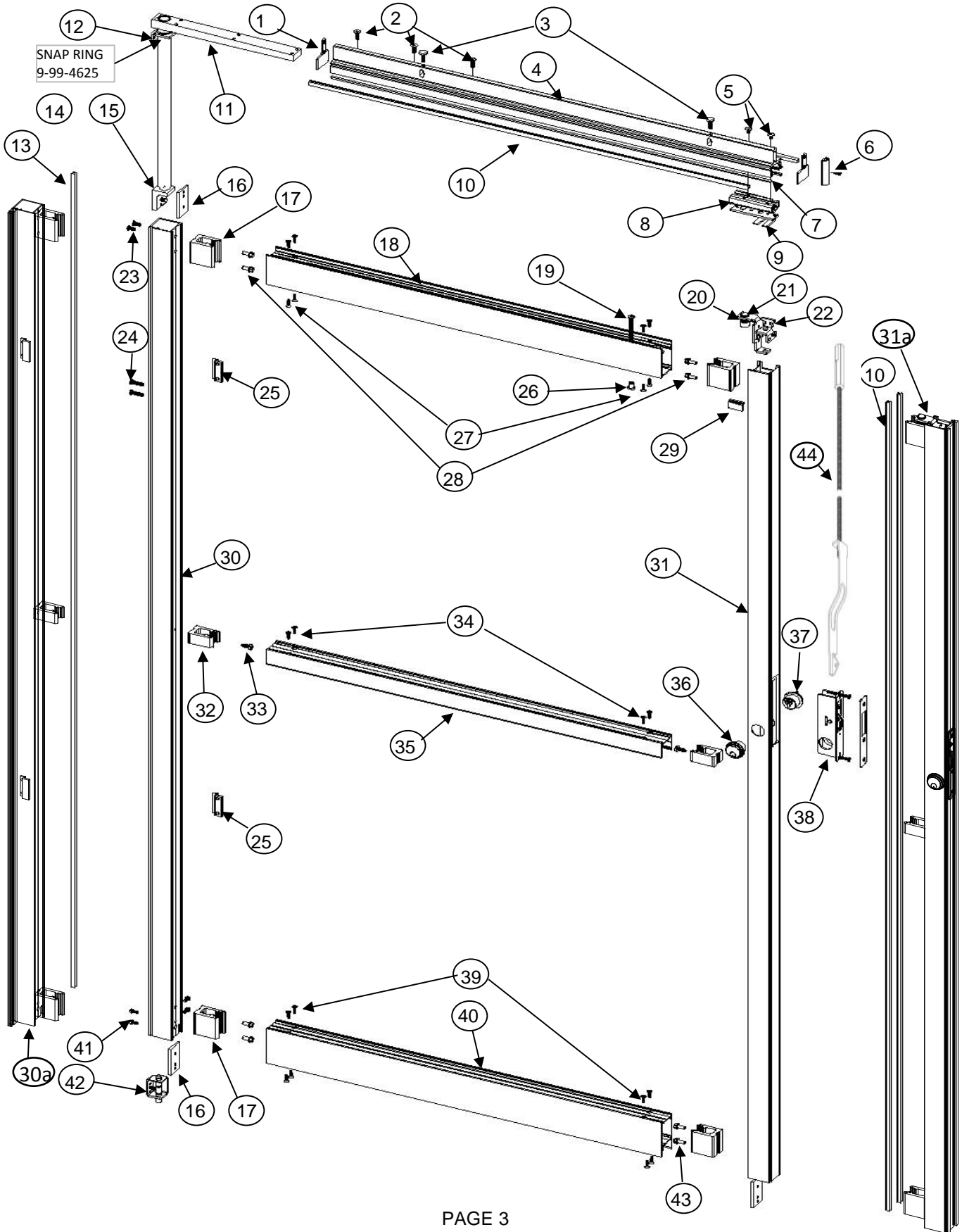
5100 SLIDER SYS.20 HEADER EXPLODED VIEW~----- 1
5100 SLIDER SYS.20 HEADER ASSEMBLY PARTS~-----2
5100 "SX"SLIDING DOOR EXPLODED VIEW~----- 3
5100 "SX"SLIDING DOOR PARTS LIST~-----4
5100 "SO" PANEL EXPLODED VIEW~----- 5
5100 "SO" PANEL PARTS LIST~-----6
5100 "O" PANEL EXPLODED VIEW~-----7
5100 "O" PANEL PARTS LIST~----- 8
5100/5900 BOTTOM GUIDE ASSEMBLIES~-----9
5100/5900 BOTTOM GUIDE PART LIST~----- 10
5100 ELECTRIC LOCK KITS~----- 11
5100 TELESCOPE PRIMARY DOOR>HEADER COMPONENTS~----- 12
5100 TELESCOPE SECONDARY DOOR COMPONENTS CONFIG A~--13
5100 TELESCOPE SECONDARY DOOR COMPONENTS CONFIG B~--14
5100 RECESSED PANIC DEVICE~----- 15
5100>2000 SERIES STANLEY CONVERSION KIT~-----16
5100 ALARM CONTACTS, FULL BREAKOUT UNITS~-----17
5200 BOTTOM GUIDE / RAILS/WEATHERSEALS/VAR. PARTS~----- 18
5200 FBO ALL GLASS DOOR RAIL ASSYS. VIEW~-----19
5200 FBO ALL GLASS DOOR RAIL ASSYS. PARTS LIST~-----20
5400/5500 HURRICANE "SX" PANEL VIEW~-----21
5400/5500 HURRICANE "SX" PANEL LIST~-----22
5400/5500 HURRICANE "SO" PANEL VIEW~-----23
5400/5500 HURRICANE "SO" PANEL LIST~-----24
5800 IC-MATIC HEADER ASSY & ACESSORIES~-----25
5900 POSITIVE LATCHING PARTS~-----26
5900 TRACKLESS ICU VIEW~-----27
5900 TRACKLESS ICU PARTS LIST~----- 28
5900 TRACKLESS TELESCOPE ICU COMPONENTS~-----29
SIMPLESWING SWING DOOR OPERATOR~-----30
8100/6100 OPERATOR EXPLODED VIEW~----- 31
8100/6100 OPERATOR PARTS LIST~-----32
8100/6100 ARM ASSEMBLIES/ADAPTORS~-----33
8600 HEAVY DUTY BOTTOM PIVOT ASSYS.~-----34
8600 OHC SWING DOOR OPERATOR VIEW~-----35
8600 OHC SWING DOOR OPERATOR PARTS LIST~-----36
8700 OHC BUTT-HUNG OPERATOR VIEW~-----37
8700 OHC BUTT-HUNG OPERATOR PARTS LIST~-----38
4500 SLIDE / FOLD HEADER ASSEMBLY~-----39
4500 SLIDE / FOLD HINGE PIVOT ASSEMBLIES~-----40
4500 SLIDE/FOLD DOOR PANEL VIEW~-----41
4500 SLIDE/FOLD DOOR PANEL PARTS LIST~-----42
4500 SLIDE/FOLD EXTRUSIONS~-----43
4900 SWING/FOLD PACKAGE PARTS LIST~-----44
DOOR COMPONENT EXTRUSIONS ~-----45
FRAME & BOTTOM GUIDE EXTRUSIONS~-----46
HEADER EXTRUSIONS~-----47
GLASS RETENTION KITS~-----48
SWITCHES & ACCESSORIES~-----49
SENSORS & ACCESSORIES~-----50
PROGRAMMER & SAFETY BEAMS~-----51
DECALS & DECAL SETS~-----52
CLEAN ROOM and SMOKE SEALS, 5100 & 5900~-----53 thru 56





5100 SYS 20 HEADER ASSEMBLY PARTS 5-18

ITEM	PART NUMBER	DESCRIPTION	U of M
	REPL-51-HEADER	5100 HEADER ASSEMBLY, COMPLETE CL-DB	ea.
	REPL-51-ACCKIT	5100 ACCESSORY KIT	ea.
	REPL-51-JAMB	5100 JAMB ASSY.	ea.
1	5-51-4002-CL	COVER, SERIES 5100 CL-DB	ft.
3	81-0016-2554	SCREW,10-32X1/4" HEX SOCKET / CS GRADE 5	box
4	4-51-1037	NUT PLATE, 10-32 (3 holes)	ea.
5	81-0016-2562	SCREW,10-32X1/2" HEX SOCKET / CS GRADE 5	box
6	4-51-1055	BRACKET, HEADER MOUNTING - LH	ea.
7	4-51-0826	KIT, SYSTEM 20 DRIVE MODULE, SERIES 5100	ea.
*	4-51-0144	MOTORDRIVE/PLATE ASSY., ATE20	ea.
*	4-51-1084	PLATE, MOUNTING, ATE20	ea.
*	9-80-0020	HARNESS, ENCODER, RJ11 CONN.	ea.
**	9-99-1325	CONTROL ASSEMBLY, STG20	ea.
**	9-99-1326	MODULE,ZLP-ELS,SAFETY BEAM PCB SYS.20	ea.
**	9-99-6597	(J1) - CANbus, 25-28	ea.
**	9-99-6598	(J2) - INT. & EXT. Sensors, AUX04IN, BDE, 13-19	ea.
**	9-99-6600	(J3) - E-STOP,AUX00IN,AUX01IN,AUX00OUT,SSK,1-12	ea.
***	4-51-0142	POWER SUPPLY ASSY., NET20 110V	ea.
***	102-019808221	TRANSFORMER, 115 Volt Primary, 35-38 Sec.	ea.
***	9-79-0008	FILTER, Powerline 120/250VAC, / 3A	ea.
***	9-99-1940	FUSE,5x20, 2 1/2amp,slow blow	ea.
***	4-51-0141	HOUSING ASSY., POWER SUPPLY NET20	ea.
8	9-51-0014	CORD, POWER, (9'10") SJT Jacket	ea.
9	5-51-4003-CL	FILLER, HEADER SOFFIT CL-DB	ft.
10	4-51-0007	BRACKET ASSY., UP. SIDELITE PVT. - LH	ea.
*	4-51-1047	BRACKET, UPPER SIDELITE PIVOT	ea.
*	9-58-0008	PIN, CLEVIS, 3/8"x1 1/4"	ea.
*	9-99-0232	BEARING, FLANGED (OILITE)	ea.
11	4-51-1001	BRACKET, BELT BASE	ea.
12	4-51-1002	BRACKET, BELT CLASP	ea.
13	4-51-0009	BRACKET ASSY., SIDELITE STRIKE	ea.
*	4-51-1010	BRACKET, SIDELITE STRIKE	ea.
*	9-73-0080	PANIC SWITCH, MAGNETIC N/O	ea.
*	9-73-0079	MAGNET, PANIC SWITCH, (not shown)	ea.
17	4-51-0003	CARRIER ASSY., LOWER BELT	ea.
18	~~~~	LOCK, ELECTRIC, Kits see pg15	~
19	4-51-0004	CARRIER ASSY., UPPER BELT	ea.
20	4-51-0006	IDLER PULLEY ASSY.	ea.
*	9-51-0004	PULLEY, IDLER	ea.
*	4-51-1009	BRACKET, IDLER PULLEY	ea.
21	4-51-0010	PLATE ASSY., TERMINAL BLOCK	ea.
22	4-51-1004	BRACKET, CONDUIT ANCHOR	ea.
23	4-51-0012	CARRIER ASSY., SLAVE	ea.
*	4-51-0005	ROLLER ASSY., CARRIER	ea.
*	4-51-0021	ROLLER ASSY., ANTI-RISE	ea.
*	9-99-1813	SCREW, M6X16, HEX, SER.FLANGED HD. MS	box
*	4-51-1021	AXLE, CARRIER ROLLER.	ea.
*	4-51-1017	SPACER, CARRIER ROLLER.	ea.
24	4-51-0020	ASSY.,DOOR STOP	ea.
25	4-51-0008	BRACKET ASSY.,UP. SIDELITE PVT. - RH	ea.
26	5-51-4001-CL	HEADER, SERIES 5100 CL-DB	ft.
27	5-51-4004-CL	ROLLER TRACK, SERIES 5100	ft.
28	9-51-0001	DAMPER, ROLLER TRACK	ft.
29	4-51-1056	BRACKET, HEADER MOUNTING - RH	ea.
30	9-99-3507	NUT PLATE, SQUARE, 1/4-20 (1 Hole)	ea.
31	81-0017-2658	SCREW, 1/4-20X3/8"SOCKET BH Flanged OXIDE	box
32	9-09-0012	BELT, TIMING, 5100	ft.
33	4-51-1070	BRACKET, COVER SUPPORT	ea.
34	9-99-0462	CLIP, CORD (not shown)	ea.
~	4-51-0504	WIRE HARNESS, POWER SUPPLY, DUAL MOTOR	ea.
~	4-51-0503	WIRE HARNESS, 2nd MOTOR, DUAL MOTOR	ea.
~	5-51-4007-CL	INSERT, TELESCOPE HEADER	ft.
~	202-003812205	MOTORDRIVE/PLATE ASSY., ATE20 w/BRAKE	ea.



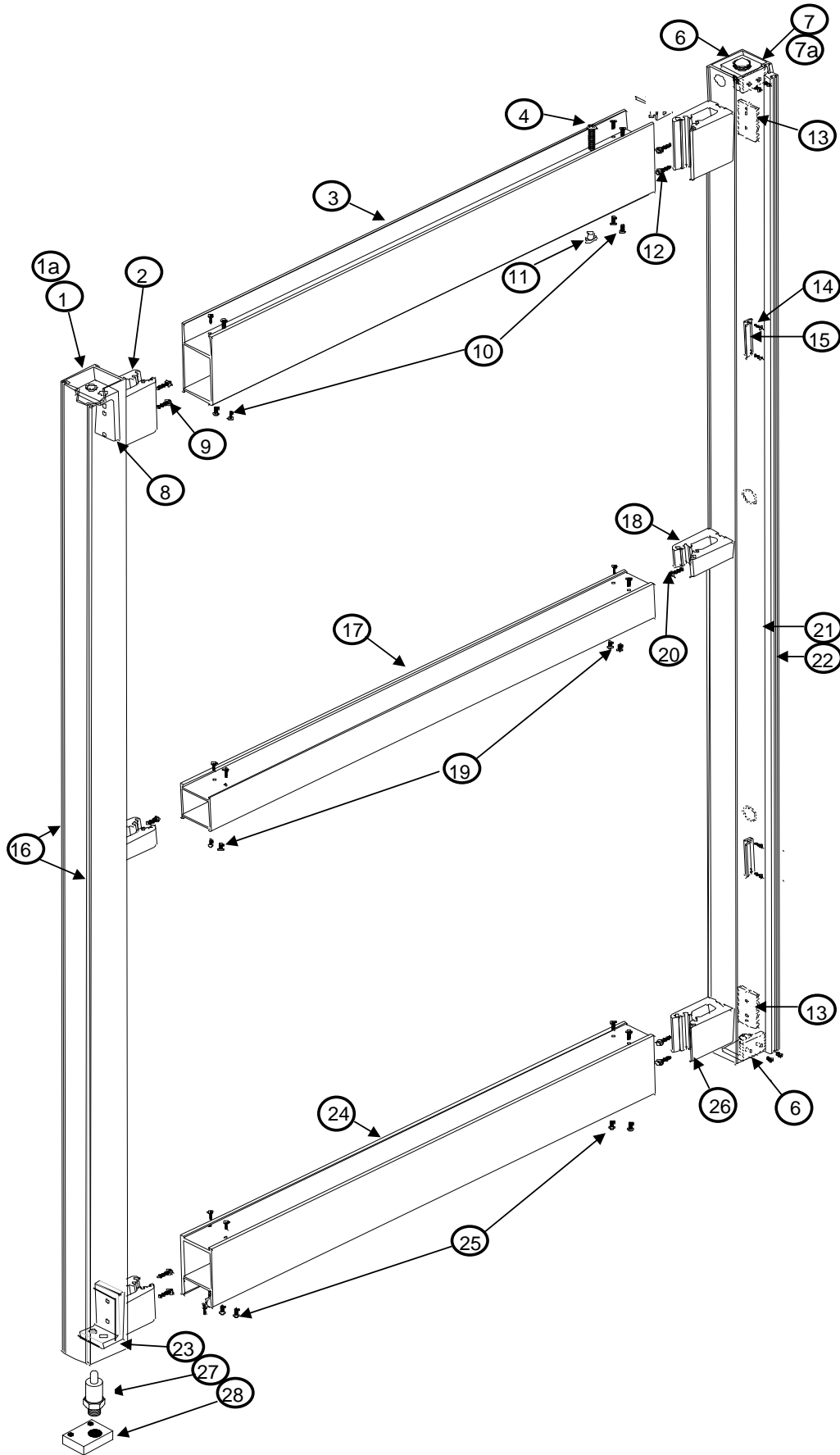


5100 SLIDING DOOR, SX PANEL PARTS LIST

8-18

ITEM	PART NUMBER	DESCRIPTION	Uof M	ITEM	PART NUMBER	DESCRIPTION	U of M
REPL-51-PANEL		SX or SLIDING DOOR PANEL CL-DB					ea.
REPL-51-STILE		DOOR STILE ASSY					ea.
REPL-51-RAIL		DOOR RAIL ASSY.					ea.
1	4-51-1049	END CAP, DOOR CATCH	ea.	25	4-11-4095	INTERLOCK,DB, (MACH)	ea.
2	81-0011-2670	SCREW, 1/4-20 X 1" FHSH	box	26	6-51-9006	BLOCK, GLASS JACKING	ea.
3	81-0718-3666	BOLT,1/4-20X3/4"HHS GRADE 5 W/NYLON PATCH	box	27	81-4411-0516	SCREW 10-24X3/4" PFH, TYPE "23"	box
4	5-51-4006-CL	DOOR CATCH 5100 CL - DB	ea.	28	81-0017-3664	BOLT,1/4-20X5/8" HWH GR.8	box
5	81-0011-2658	SCREW,1/4-20x3/8" FHSH	N/A	29	4-51-9004	COVER,DOOR CATCH, plastic	ea.
6	9-99-2594	SEAL, FOAM RUBBER	ft.	30	5-11-4022-CL	STILE, FIXED, NARROW,CL-DB	ft.
7	9-99-7318-DB	WEATHERPILE, DOOR CATCH	ft.	31	5-11-4021-CL	STILE, TANDEM,NARROW,CL-DB	ft.
8	4-51-1038	HOUSING, DOOR CATCH ASSY.	ea.	32	4-11-4096	SHEAR BLOCK "SB1"	ea.
9	4-51-1039	INTERLOCK,LH, DOOR CATCH shown	ea.	33	81-3514-0664	SCREW 1/4-14 X 5/8" PPH TYPE "B"	N/A
	4-51-1040	INTERLOCK,RH, DOOR CATCH	ea.	~	9-99-0072	CYLINDER, DUMMY CL-DB	ea.
8-9	4-51-0013	DOOR CATCH ASSY., LH,shown	ea.	34	81-4411-0512	SCREW 10-24X1/2" PFH, TYPE "23"	box
8-9	4-51-0014	DOOR CATCH ASSY., RH	ea.	35	5-11-4031-CL	MUNTIN BAR, 1 1/2" CL-DB	ft.
				36	9-99-0064	KEY CYLINDER, CL-DB (KA-50 pair) Standard Mortise & A.R. Cam	ea.
10	9-99-7316	WEATHERPILE,0.270"W X 0.450"H,	ft.				
10a	9-99-7363	WEATHERPILE, FIN SEAL, SHORT	ft.	37	9-99-0069	CYLINDER, THUMBTURN, CL-DB	ea.
~	9-99-4625	RING, RETAINING	ea.	38	9-99-0071	DEADLOCK, HOOKBOLT CL-DB	ea.
11	4-51-0001	WELDMENT, TORQUE BAR	ea.	39	81-4411-0516	SCREW,10-24X3/4" PFH TYPE"23"	box
12	4-51-1003	BRACKET, TORQUE TUBE SUPPORT	ea.	40	5-11-4033	3 1/2" BOTTOM RAIL CL-DB	ft.
13	9-99-7316	WEATHERPILE,0.270"W X 0.450"H,	ft.	41	81-0074-0558	SCREW,10-32X3/8"PPH,SS	N/A
13a	9-99-7370	WEATHERPILE,FIN XTRA TALL	ft.	41a	81-0014-0558	SCREW,10-32X3/8"PPH, CL	N/A
14	6-51-9004	CHANNEL, WEATHERPILE, 7'3"S/L	ea.	42	4-11-0469	PIN GUIDE ASSY. RH&LH SEE PG. 9 FOR BOTTOM GUIDE ASSYs	ea.
15	4-70-4104	PIVOT,TORQUE TUBE BOTTOM	ea.	43	81-0017-3664	BOLT 1/4-20X5/8" HWH GR.8	box
16	4-11-1082	BACKER PLATE,"BP1",top&bottom	ea.	44	9-99-0074	THRESHOLD BOLT	ea.
17	4-11-4097	SHEAR BLOCK,"SB2",top&bottom	ea.	~	4-11-1052	PLATE, LOCK STRIKE	ea.
18	5-51-4009-CL	RAIL, TOP, 3", CL - DB	ea.	~	6-11-9007	GLASS SETTING BLOCK	ea.
19	81-0014-0680	SCREW,GLASS ADJUST 1/4-20X2" PPH MS	N/A	~	9-25-0021	LOCK INDICATOR, (RSU) CL-DB	ea.
20	4-70-0582	BALL CATCH ASSY.3/4-27 Thread	ea.	~	9-25-0020	LOCK INDICATOR, A/R CL-DB	ea.
21	4-51-1042	PLATE, INTERLOCK ASSY.	ea.	~	81-8014-0314	SCREW, 6x5/8"Ph,Pantech, CL-DB	N/A
22	4-51-1041	BRACKET, INTERLOCK ASSY.	ea.	~	4-51-4160-CL	RAIL, 3"TOP, MACHINING CL-DB	ea.
23	81-0016-2658	SCREW,1/4-20X3/8"BSCS-SS	N/A	~	9-99-0067	CYL. OPER. FLUSHBOLT,31/32 BS	ea.
24	81-0014-2670	SCREW, 1/4-20 X 1" BSCS-SS	N/A	~	9-99-0113	Plunger, Spring Loaded Device	ea.
~~	9-99-2834	DOOR CLOSER, CONCEALED	ea.	~	4-51-4151	SHEAR BLOCK "SB5", 6" Bot.Rail	ea.
~~	4-51-9005	SLIDE BLOCK, SX PANEL/CLOSER	ea.				
~~	4-51-1054	STUD, SLIDE ARM,CLOSER	ea.				
~~	4-51-0028	TOE ROLLER ASSY.	ea.				
~	4-51-0011	ASSY., TORQUE BAR, SX	ea.				
20-22	4-51-0015	INTERLOCK ASSY, LH shown	ea.				
20-22	4-51-0016	INTERLOCK ASSY, RH	ea.				

Note: 10" Bottom Rail requires a total of 4 SB2 (4-11-4097) Shear Blocks

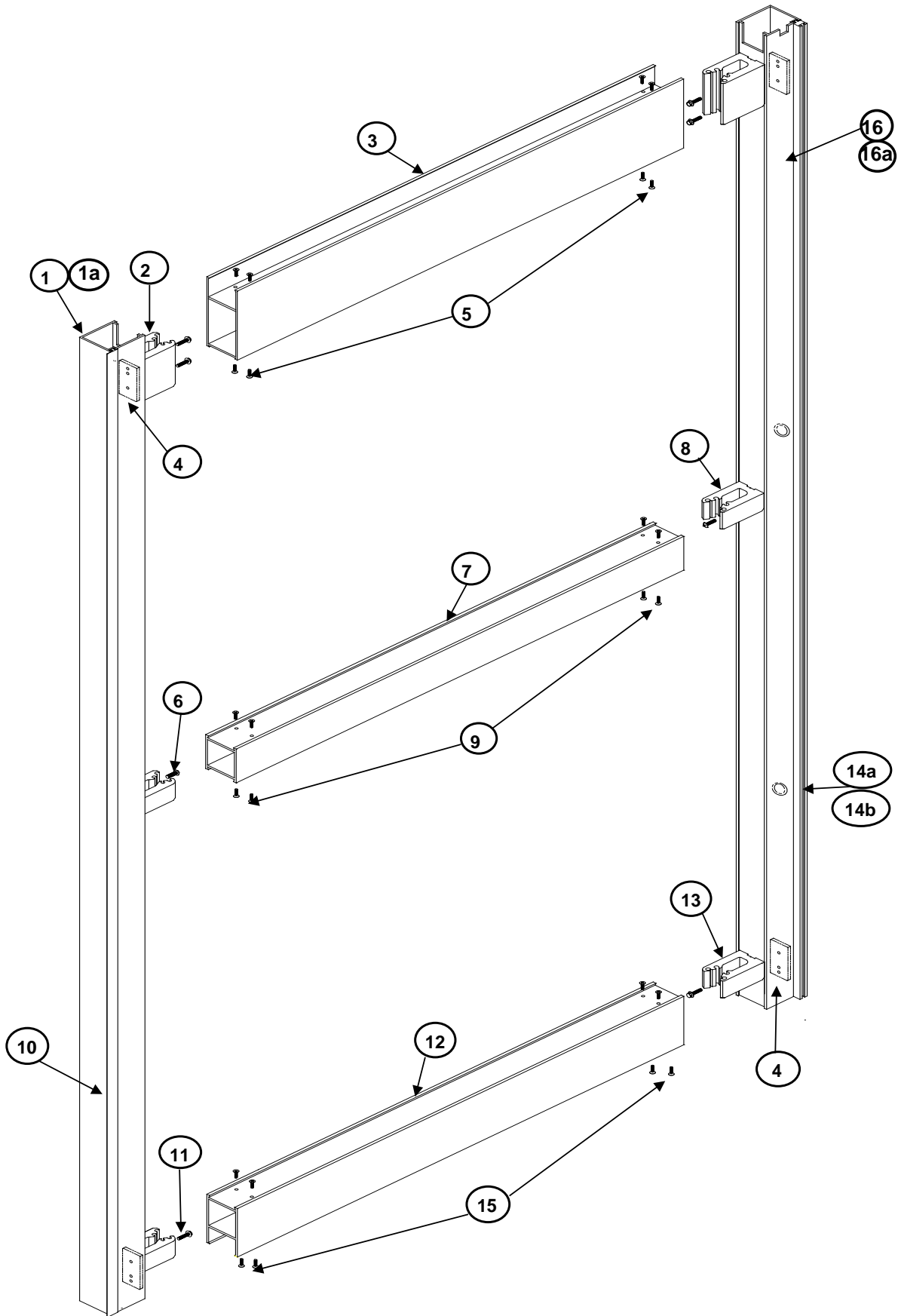




5100 SWING OUT SIDELITE, SO PANEL

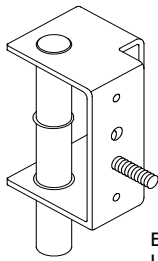
3-18

ITEM	PART NUMBER	DESCRIPTION	U of M
	REPL-51-PANEL	SO or SWING OUT PANEL CL-DB	ea
1	5-11-4021-CL	STILE, TANDEM, NARROW, CL-DB	ft
1a	4-51-4136-CL	STILE, PIVOT, SIDELITE, LH, CL-DB	ea
	4-51-4137-CL	STILE, PIVOT, SIDELITE, RH, CL-DB	ea
2	4-11-4098	SHEAR BLOCK, "SB3", TOP	ea
3	5-11-4034-CL	RAIL, 4" UPPER CL-DB	ft
4	81-0014-0680	1/4-20 X 2" PPH GLASS ADJ. SCREW	N/A
5	4-51-4269	BRACKET, BALL CATCH & MAGNET	ea
6	4-51-0095	ROLLER CATCH ASSY.	ea
6a	4-51-0096	ROLLER CATCH & MAGNET ASSY.	ea
7	5-11-4022-CL	STILE, FIXED CL-DB (NARROW)	ft
7a	4-51-4138-CL	BEAM STILE, SIDELITE, LH CL-DB w/BEAMS	ea
	4-51-4139-CL	BEAM STILE, SIDELITE, RH, CL-DB w/ BEAMS	ea
8	4-11-0432	ANGLE ASSY., SIDELITE PIVOT, LH (SILVER TOP)	ea
8a	4-11-0433	ANGLE ASSY., SIDELITE PIVOT, RH (SILVER TOP)	ea
9	81-0017-3666	BOLT,1/4-20 X 3/4" HWH GR.8 (TOP & BOTTOM)	box
10	81-4411-0512	SCREW,10-24 x 1/2" PFH TYPE 23	box
11	6-51-9006	BLOCK, 1/4" GLASS JACKING	ea
12	81-0017-3664	BOLT,1/4-20 X 5/8" HWH GR.8 (TOP & BOTTOM)	box
13	4-11-1082	BACKER PLATE "BP1" (top & bottom)	ea
14	81-3514-0512	SCREW,10-16X1/2" PPH SMS TYPE B	N/A
15	4-11-4095-DB	INTERLOCK, DB (TYP.)	ea
16	9-99-7316	WEATHERPILE, 0.270"W X 0.450"H, BL.	ft
16a	9-99-7360	WEATHERPILE, BL., FIN SEAL, TALL	ft
17	5-11-4031-CL	MUNTIN BAR (1 1/2") CL-DB	ft
18	4-11-4096	SHEAR BLOCK "SB1"	ea
19	81-4411-0512	SCREW,10-24 X 3/4" PFH Type 23	box
20	81-3514-0664	SCREW,1/4-14 X 5/8" PPH TYPE "B"	N/A
22	9-99-7316	WEATHERPILE, 0.270"W X 0.450"H, BL.	ft
22a	9-99-7360	WEATHERPILE, BL., FIN SEAL, TALL	ft
23	4-11-0434	ANGLE ASSY.,SIDELITE PIVOT, LH (GOLD-BOTTOM)	ea
23a	4-11-0435	ANGLE ASSY.,SIDELITE PIVOT, RH (GOLD-BOTTOM)	ea
24	5-11-4033-CL	RAIL, BOTTOM (3 1/2") CL-DB	ft
25	81-4411-0516	SCREW,10-24 X 3/4" PFH Type 23	box
26	4-11-4097	SHEAR BLOCK "SB2"	ea
27	4-11-1031	PIN, SIDELITE PIVOT, BOTTOM	ea
28	4-51-4008	BLOCK, SIDELITE PIVOT, BOTTOM	ea
~~	9-99-2834	DOOR CLOSER, CONCEALED	ea
~~	4-51-1089	TRACK, CLOSER 14" (Header)	ea
~~	4-51-0166	SLIDE TRACK ASSY., SIDELITE, DOOR CLOSER	ea
~~	4-24-9003	SLIDE BLOCK	ea
~~	4-51-1054	STUD, SLIDE ARM, CLOSER	ea
~~	9-99-7323	WASHER, SPRING	ea
~	6-11-9007	GLASS SETTING BLOCK	ea
~	4-11-0439	ANGLE ASSY,SIDELITE PIVOT, BOTTOM, RH MED STILE	ea
~	4-11-0438	ANGLE ASSY,SIDELITE PIVOT, BOTTOM, LH MED STILE	ea
~	4-11-0437	ANGLE ASSY,SIDELITE PIVOT, TOP, RH MED STILE	ea
~	4-11-0436	ANGLE ASSY,SIDELITE PIVOT, TOP, LH MED STILE	ea



ITEM #1

PIN GUIDE ASSEMBLY
4-11-0469 RH & LH

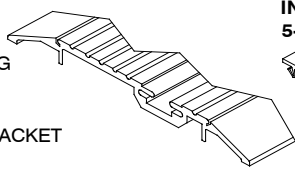


- 4-11-7001 - PIN
- 9-99-4575 - RETAINER RING
- 4-11-1081 - BRACKET
- 81-6019-2666 - SET SCREW

BOTTOM GUIDE FOR FULL BREAK OUT SLIDER
USED ON ALL SLIDERS AS OF 1-1-03
(CALL FACTORY FOR OLDER UNITS)

**NOTE: ALSO USED ON THE 5100 TELESCOPE
FULL BREAKOUT BOTTOM GUIDE SYSTEM**

ITEM #2
RAMPED PIN GUIDE TRACK
5-11-4008

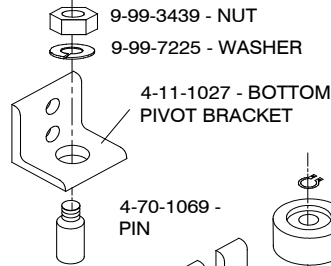


ITEM #3
INSERT, PIN GUIDE
5-51-4015

ITEM #4
**BOTTOM GUIDE
TRACK CAP**
9-70-0077

ITEM #5

REVERSE BREAKOUT BOTTOM GUIDE ASSY. 4-11-0459



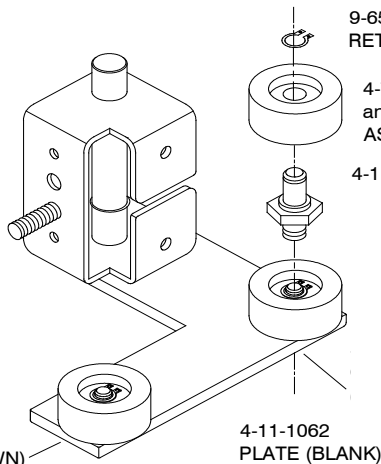
- 9-99-3439 - NUT
- 9-99-7225 - WASHER
- 4-11-1027 - BOTTOM PIVOT BRACKET
- 4-70-1069 - PIN
- 4-19-4062 - LH
- 4-19-4063 - RH

- 9-65-0006 - RETAINER RING
- 4-70-0702 - ROLLER and BEARING ASSY.
- 4-11-1078 - STUD

ITEM #6&7
**TRACKLESS ICU
BOTTOM GUIDE**
4-19-0026 LH (SHOWN)
4-19-0027 RH

**NOTE: ALSO USED ON THE 5100 TELESCOPE
FIXED PANEL BOTTOM GUIDE SYSTEM**

- 4-11-1081 - BRACKET
- 4-11-7002 - PIN
- 9-99-4575 - RETAINER RING
- 81-6019-2666 - SET SCREW
- 9-99-5702 - SPRING, FINGER
- 9-99-4622 - RETAINER RING



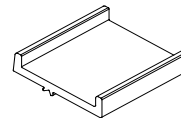
- 9-65-0006 - RETAINER RING
- 4-70-0702 - ROLLER and BEARING ASSY.
- 4-11-1078 - STUD

FIXED PANEL
BOTTOM GUIDE
ASSEMBLY

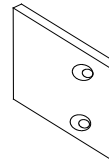
- 4-11-0470 - LH
- 4-11-0471 - RH (SHOWN)

4-11-1062
PLATE (BLANK)

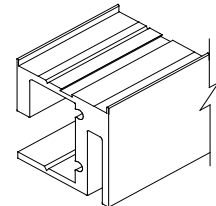
ITEM #11



G-RAIL INSERT
4-51-4003



END CAP
4-51-1062
ITEM #16

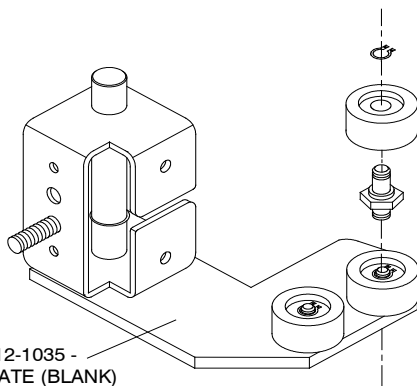


BOTTOM GUIDE RAIL
5-51-4016 (PER FOOT)

ITEM #10

5100 TELESCOPE BOTTOM GUIDE SYSTEMS

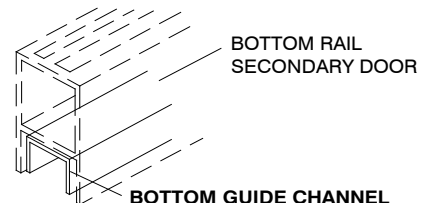
- 4-11-1081 - BRACKET
- 4-11-7002 - PIN
- 9-99-4575 - RETAINER RING
- 81-6019-2666 - SET SCREW
- 9-99-5702 - SPRING, FINGER
- 9-99-4622 - RETAINER RING



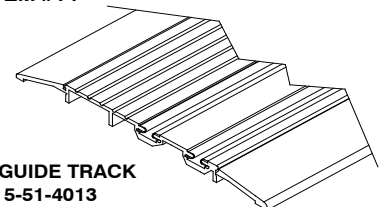
**FIXED PANEL BOTTOM GUIDE ASSEMBLY
PRIMARY TO SECONDARY DOOR**
4-12-0470 LH (SHOWN)
4-12-0471 RH

ITEM #12&13

- 9-65-0006 - RETAINER RING
- 4-70-0702 - ROLLER and BEARING ASSY.
- 4-11-1078 - STUD
- 4-11-1018 - BOTTOM GUIDE PLATE - LH (SHOWN)
- 4-11-1017 - BOTTOM GUIDE PLATE - RH



**BOTTOM RAIL
SECONDARY DOOR**
BOTTOM GUIDE CHANNEL
5-19-4003 (PER FOOT)
ITEM #14



**RAMPED PIN GUIDE TRACK
TELESCOPE 5-51-4013**

ITEM #15

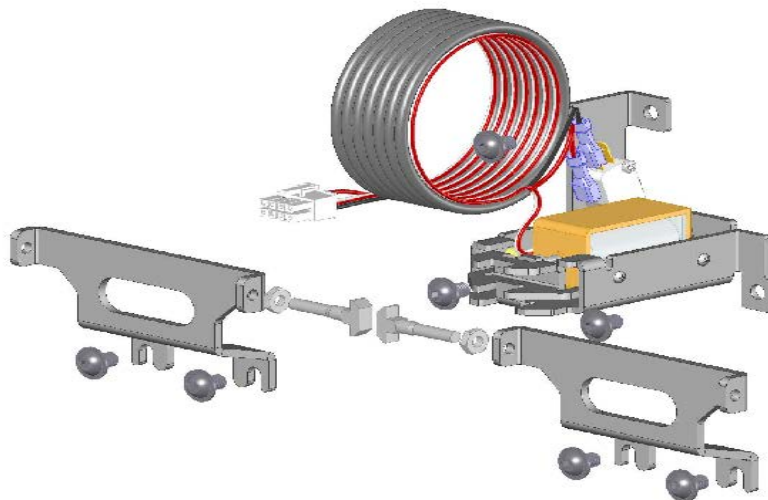


5100/5900 BOTTOM GUIDE PARTS LIST

3-18

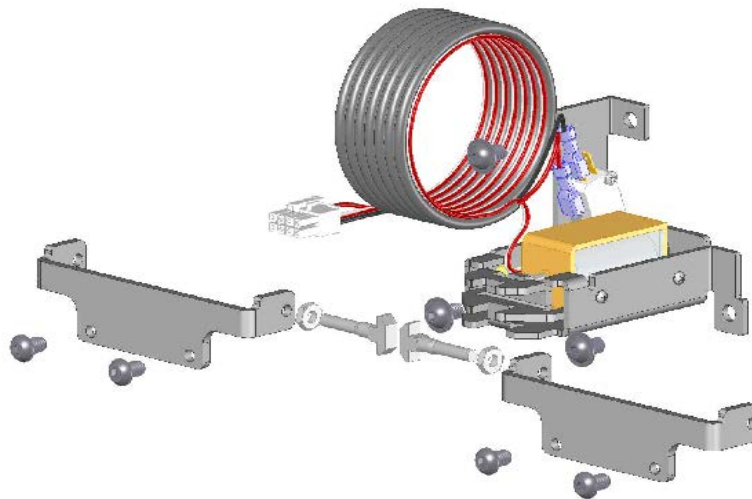
ITEM	PART NUMBER	DESCRIPTION	U of M
1	4-11-0469	PIN GUIDE ASSY. RH & LH	ea
2	5-11-4008-MF	PIN GUIDE THRESHOLD	ft
3	5-51-4015-MF	INSERT, PIN GUIDE	ft
4	9-70-0077	BUMPER, PIN GUIDE	ft
5	4-11-0459	BOTTOM GUIDE ASSY., REVERSE BREAKOUT	ea
6	4-19-0026	TRACKLESS ICU BOTTOM GUIDE ASSY.-LH	ea
7	4-19-0027	TRACKLESS ICU BOTTOM GUIDE ASSY.-RH	ea
8	4-11-0470	SWAY GUIDE ASSY.-LH	ea
9	4-11-0471	SWAY GUIDE ASSY.-RH	ea
10	5-51-4016-CL	SWAY RAIL CL-DB	ft
11	4-51-4003-MF	INSERT, BOTTOM SWAY RAIL	ea
16	4-51-1062-BL	END CAP, SWAY RAIL	ea
~	81-4211-0412	8-32x1/2" Ph, FH, Type 23	N/A
5100 TELESCOPE BOTTOM GUIDE SYSTEMS			
12	4-12-0470	SWAY GUIDE ASSY.- LH TELESCOPE PRIMARY TO SECONDARY	ea
13	4-12-0471	SWAY GUIDE ASSY.- RH TELESCOPE PRIMARY TO SECONDARY	ea
14	5-19-4003	BOTTOM GUIDE CHANNEL, TELESCOPE SECONDARY DOOR 1 1/4"X3/4"X1/8"	ft
15	5-51-4013-MF	PIN GUIDE THRESHOLD, TELESCOPE	ft
		PARTS	ea
1	4-70-0702	ROLLER ASSY., BOTTOM GUIDE	ea
2	4-11-1078	STUD, BOTTOM GUIDE ROLLER	ea
3	9-65-0006	RING, RETAINING, EXTERNAL	ea
4	4-70-1069	PIN, BOTTOM GUIDE	ea
5	9-99-7225	WASHER, LOCK, 3/8 SPLIT	ea
6	9-99-3439	NUT, 3/8-16	ea
~	9-99-4622	RING, RETAINING (BOTTOM)	ea
~	4-51-4009	ALIGNMENT BAR, PIN GUIDE THRESHOLD	ea
~	4-51-0099	SEAL, SWAY RAIL END CAP	ea
~	4-51-0150	PIN GUIDE THRESHOLD ASSY., LH	ea
~	4-51-0151	PIN GUIDE THRESHOLD ASSY., RH	ea

1 saf-a
1 sec-a



ITEM	PART NUMBER	DESCRIPTION	U of M
1saf	4-51-0801	KIT, BI-PART, FAIL-SAFE	ea
1sec	4-51-0805	KIT, BI-PART, FAIL-SECURE	ea
1saf-a	4-51-0103	LOCK ASSY., Only - (FAIL SAFE)	ea
1sec-a	4-51-0104	LOCK ASSY., Only - (FAIL SECURE)	ea
1b	81-0017-2658	SCREW, 1/4-20X3/8" BFHCS	box
1c	4-51-1045	BRACKET, LOCK STRIKE (standard)	ea
1d	9-99-3503	NUT, M6X0.5	ea
1e	9-51-0006	BOLT, HAMMERHEAD	ea
1f	9-99-3507	NUT PLATE, 1/4-20 (not shown)	ea

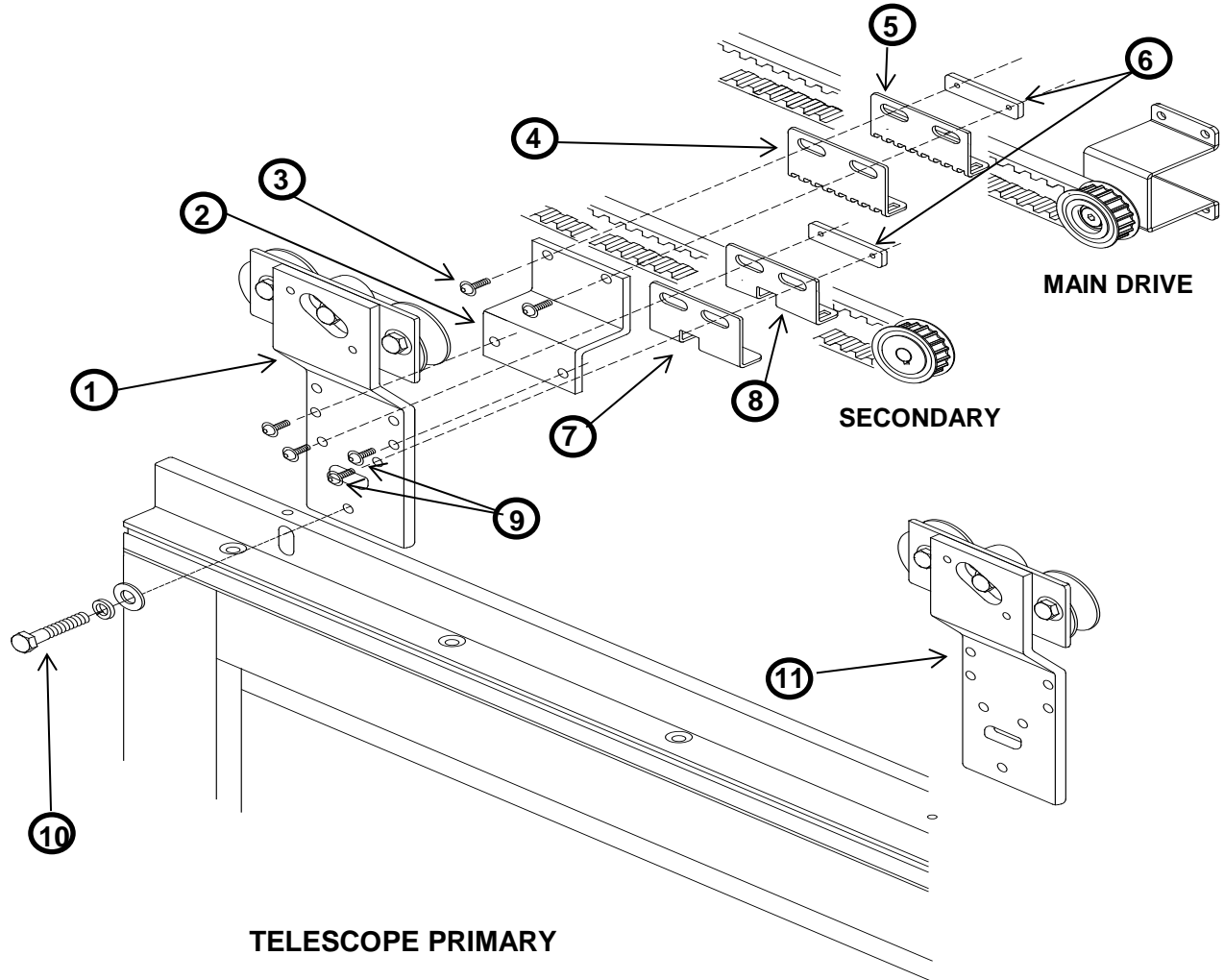
2 saf-a
2 sec-a



2saf	4-51-0803	KIT, BI-PART, FAIL SAFE -TELESCOPE	ea
2sec	4-51-0807	KIT, BI-PART, FAIL SECURE- TELESCOPE	ea
2saf-a	4-51-0103	LOCK ASSY., Only (FAIL SAFE)	ea
2sec-a	4-51-0104	LOCK ASSY., Only - (FAIL SECURE)	ea
2b	81-0017-2658	SCREW, 1/4-20X3/8" BFHCS	box
2c	4-51-1046	BRACKET, LOCK STRIKE (telescope)	ea
2d	9-99-3503	NUT, M6X0.5	ea
2e	9-51-0006	BOLT, HAMMERHEAD	ea
2f	9-99-3507	NUT PLATE, 1/4-20 (not shown)	ea

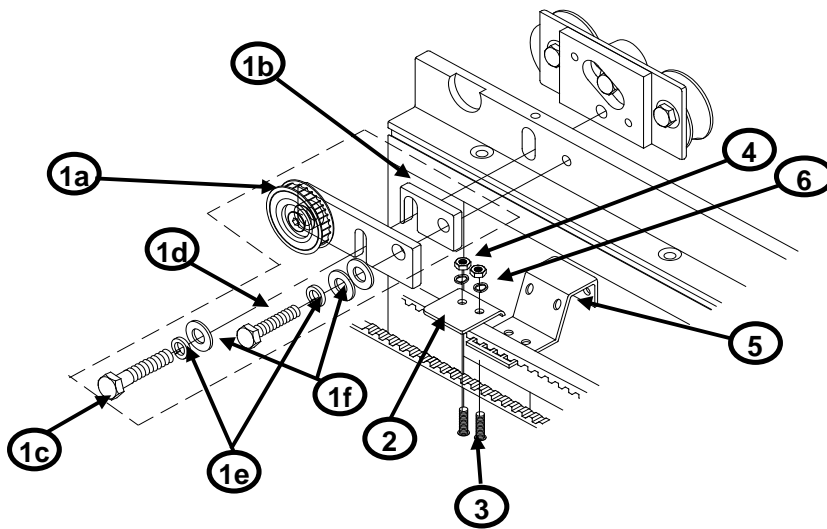
1	4-51-0500	HARNESS,ELECTRIC LOCK EXTENSION,2ft.	ea
2	4-51-0501	HARNESS,ELECTRIC LOCK EXTENSION,3ft.	ea
3	4-51-0502	HARNESS,ELECTRIC LOCK EXTENSION,4ft.	ea

5100 TELESCOPE PRIMARY DOOR COMPONENTS

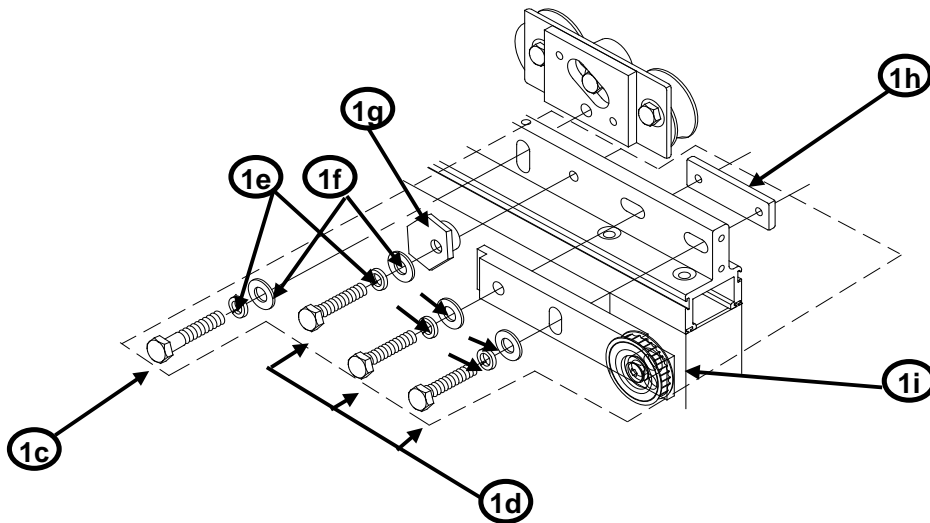


ITEM	PART NUMBER	DESCRIPTION	U of M
1	4-51-0019	CARRIER ASSY., TELE., PRIMARY, BELT	ea
2	4-51-1026	PLATE, BELT RETAINER, TELE.	ea
3	81-0014-2664	SCREW, 1/4-20X 5/8", ALLEN, FLANGE BUTTON	N/A
4	4-51-1001	BRACKET, TIMING BELT BASE, TELE.	ea
5	4-51-1002	BRACKET, TIMING BELT CLASP, TELE.	ea
6	4-51-1023	PLATE, NUT, TIMING BELT CLAMP, TELE.	ea
7	4-51-1029	BRACKET, TIMING BELT BASE, TELE.	ea
8	4-51-1031	BRACKET, TIMING BELT CLASP, TELE.	ea
9	81-0017-2662	SCREW 1/4-20X1/2" ALLEN, FLANGE, BUTTON	N/A
10	81-0018-3726	SCREW, 5/16-18X1 1/4", HEX, MS, GR 8	box
11	4-51-0018	CARRIER ASSY., TELE., PRIMARY, SLAVE	ea

5100 TELESCOPE CONFIG "A" SECONDARY DOOR COMPONENTS

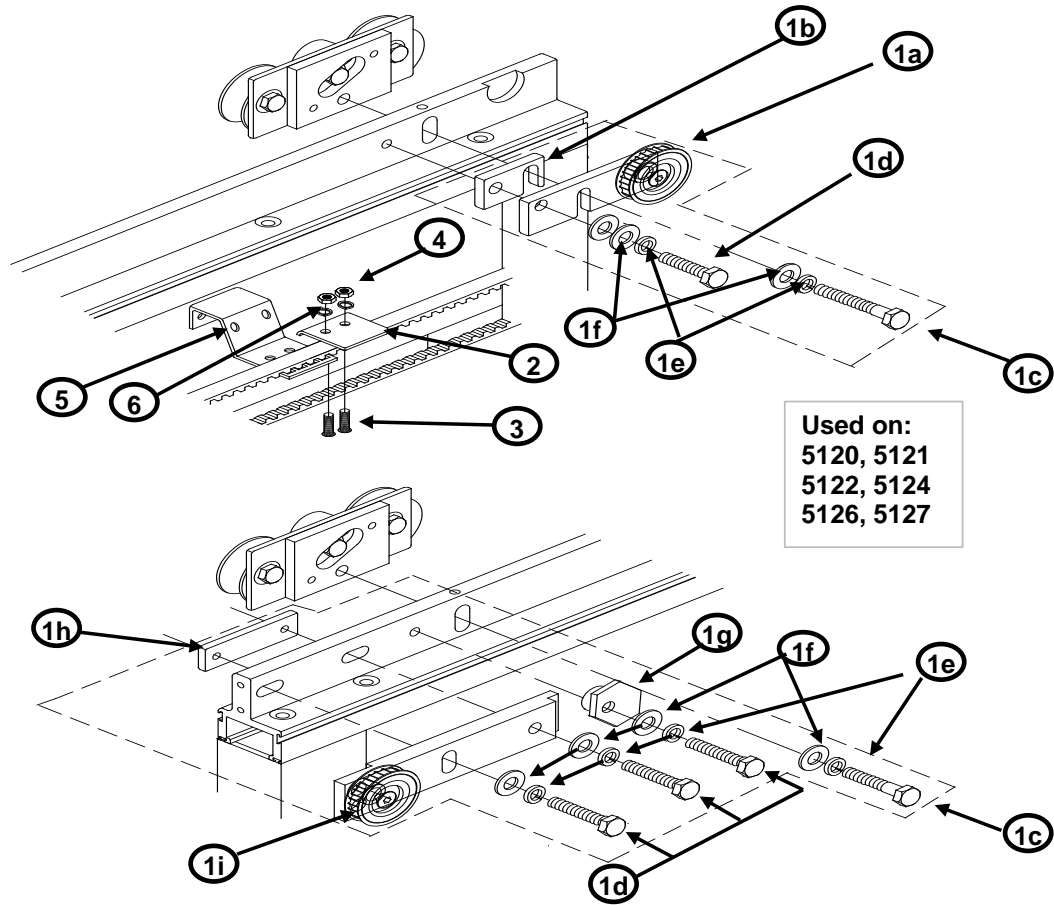


Used on:
5119, 5121
5123, 5124
5125, 5127

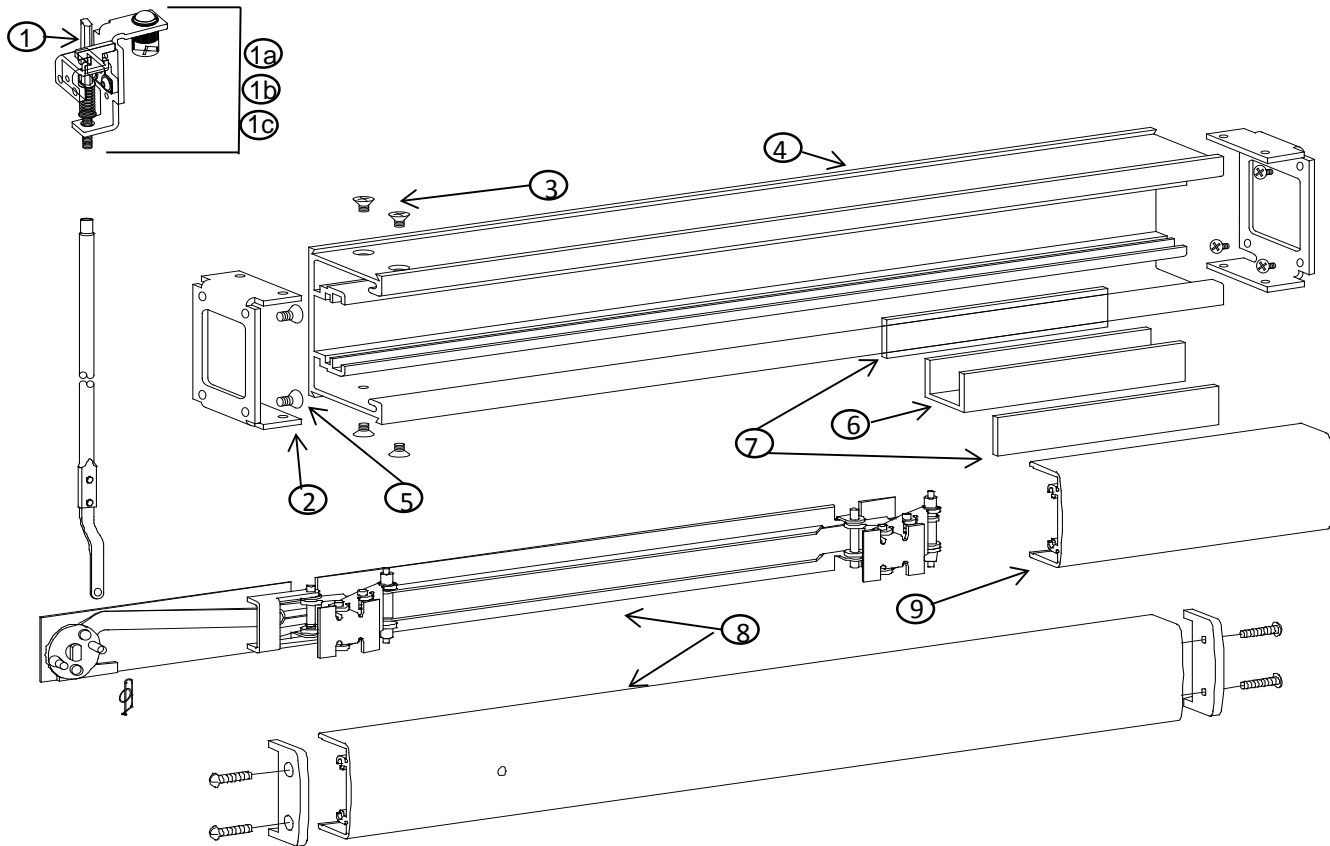


ITEM	PART NUMBER	DESCRIPTION	U of M
1	4-51-0810	KIT "A", PULLEY, SEC. DOOR, TELE.	ea
		CONSISTS OF:	
1a	4-51-0025	"A" SLAVE PULLEY ASSY., PIVOT END	ea
1b	4-51-1025	SPACER,SLAVE PULLEY,PIVOT END	ea
1c	81-0018-3728	SCREW, 5/16-18X1 3/4", HH, GR.5	N/A
1d	81-0068-3724	SCREW, 5/16-18X1 1/4", HH, GR.8	N/A
1e	9-99-7235	WASHER, LOCK, 5/16" SPLIT	box
1f	9-99-7172	WASHER, FLAT, 3/8"	N/A
1g	4-10-1010	NUT, CAM, BELT ADJUSTMENT	ea
1h	4-51-1024	PLATE, NUT, SLAVE PULLEY, TELE.	ea
1i	4-51-0023	"A" SLAVE PULLEY ASSY, LEAD END	ea
2	4-51-1032	CLAMP, TIMING BELT, TELE.	ea
3	9-99-6194	STUD, PEM, 10-32X7/16"	box
4	9-99-3459	NUT, HEX, 10-32	box
5	4-51-1030	BRACKET, TIMING BELT CLAMP, TELE.	ea
6	9-99-7249	WASHER, LOCK, #10	box

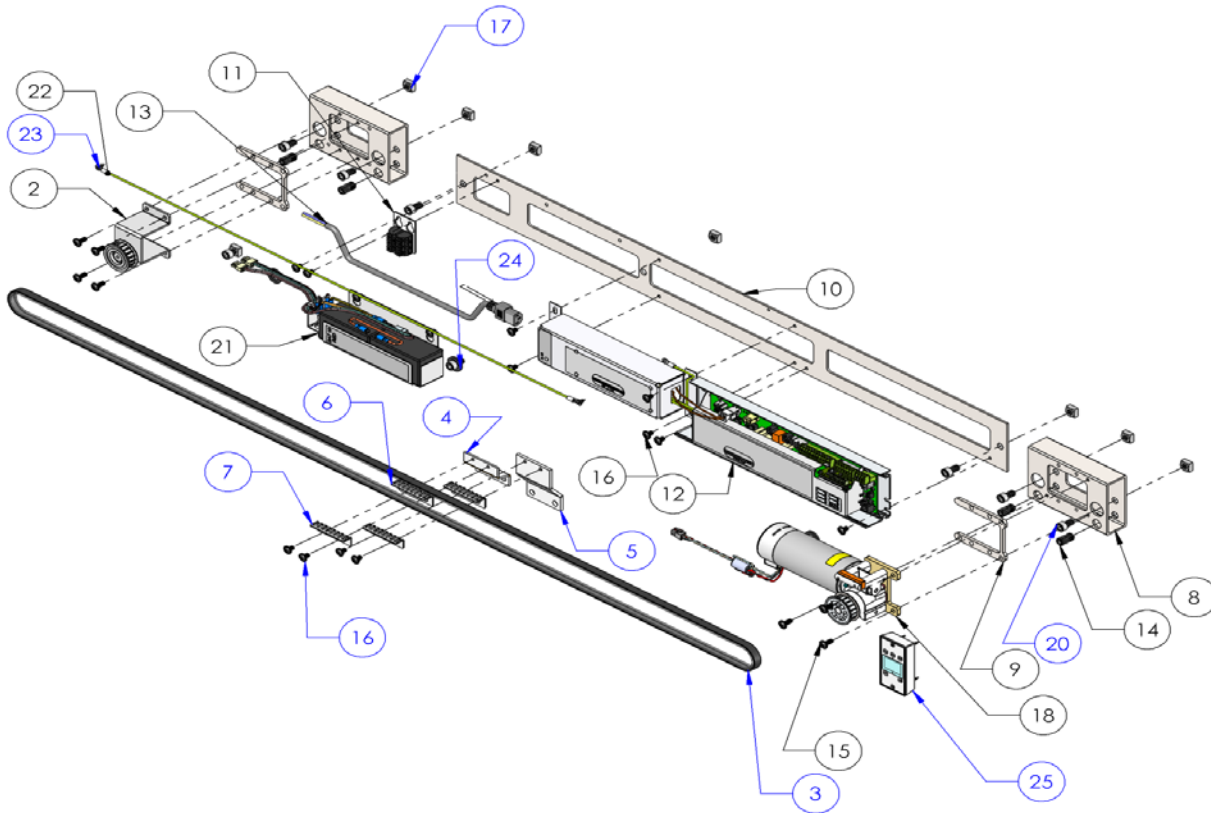
5100 TELESCOPE CONFIG "B" SECONDARY DOOR COMPONENTS



ITEM	PART NUMBER	DESCRIPTION	U of M
1	4-51-0811	KIT "B", PULLEY, SEC. DOOR, TELE.	ea
		CONSISTS OF:	
1a	4-51-0024	B SLAVE PULLEY ASSY., PIVOT END	ea
1b	4-51-1025	SPACER, SLAVE PULLEY, PIVOT END	ea
1c	81-0018-3728	SCREW, 5/16-18X1 3/4" HH, GRADE 5	N/A
1d	81-0068-3724	SCREW, 5/16-18X1 1/4" HH, GRADE 8	N/A
1e	9-99-7235	WASHER, LOCK, 5/16", SPLIT	box
1f	9-99-7172	WASHER, FLAT, 3/8"	N/A
1g	4-10-1010	NUT, CAM, BELT ADJUSTMENT	ea
1h	4-51-1024	PLATE, NUT, SLAVE PULLEY, TELE.	ea
1i	4-51-0022	B SLAVE PULLEY ASSY., LEAD END	ea
2	4-51-1032	CLAMP, TIMING BELT, TELE.	ea
3	9-99-6194	STUD, PEM, 10-32X7/16"	box
4	9-99-3459	NUT, HEX, 10-32	box
5	4-51-1030	BRACKET, TIMING BELT CLAMP, TELE.	ea
6	9-99-7249	WASHER, LOCK, #10	box



ITEM	PART NUMBER	DESCRIPTION	U of M
1	4-51-1061	LOCKBOLT, F86 RECESSED EXIT DEVICE	ea
1a	4-51-0015	INTERLOCK ASSY., LH	ea
1b	4-51-0016	INTERLOCK ASSY., RH	ea
1c	9-99-6151	ROD, THREADED, 1/4-20	ft
2	4-51-1011	BRACKET, MOUNTING (DEVICE HOUSING)	ea
3	81-0012-0562	SCREW 10-32X1/2" Ph., FH, U-CUT, MS	N/A
4	5-51-4012-CL	HOUSING, RECESSED PANIC DEVICE CL-DB	ft
5	81-4411-0512	SCREW, 10-24 X 1/2" Ph, FH, Type 23	box
6	5-60-4269	CHANNEL, ALUMINUM 1"X1"X1/8"	ft
7	9-99-0083	FASTENER, DUAL LOCK, RECLOSABLE (velcro type)	ft
8	9-99-0087-BL	EXIT DEVICE, F86 RECESS MOUNT, BL	ea
9	9-99-0088-BL	PUSH BAR, F86 EXIT DEVICE, BL 60" S/L	ft
~	9-99-0094	EXIT DEVICE, G86, CVR, BL	ea

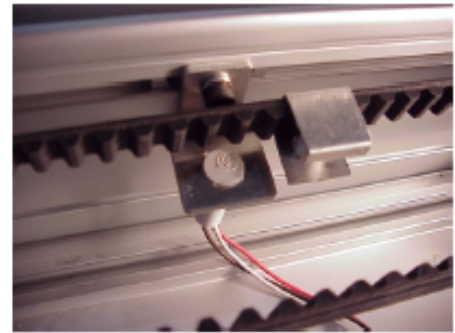
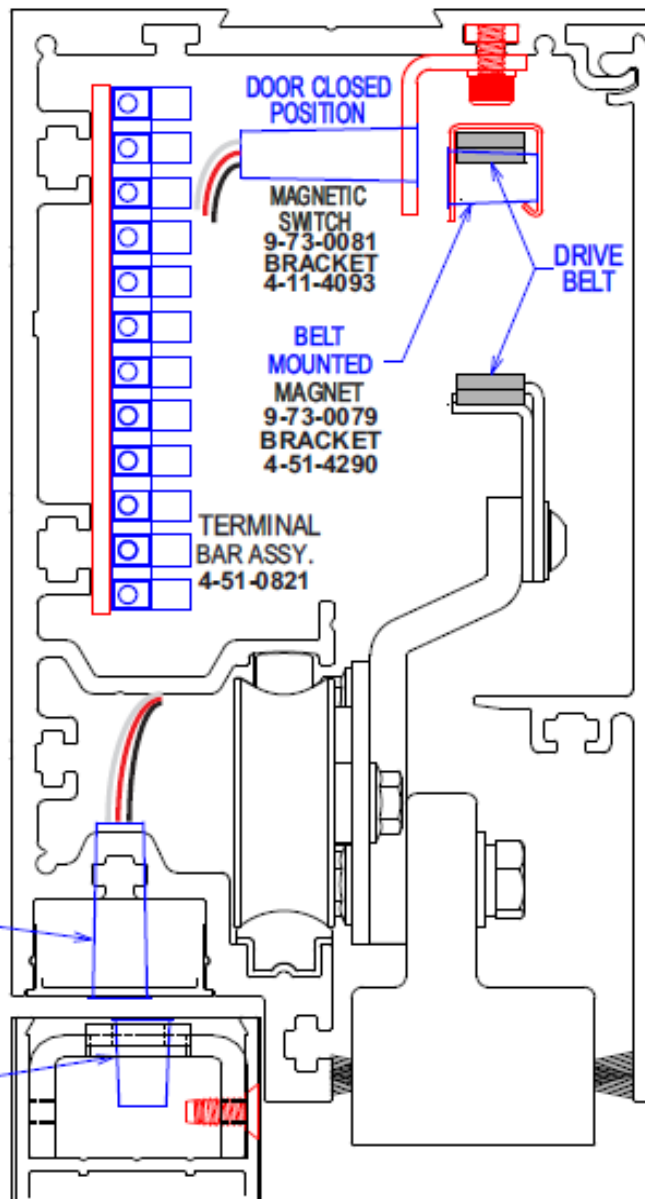


KIT	202-003812714	2000 SERIES STANLEY CONVERSION - STANDARD	ea
KIT	202-003812218	2000 SERIES STANLEY CONVERSION - w/ LOCKING	ea
ITEM	PART NUMBER	DESCRIPTION	U of M
2	4-51-0006	IDLER PULLEY ASSY.	ea
3	9-09-0012	BELT, TIMING, 5100	ft
4	202-003118841	BRACKET, BELT CLAMP, PRIMARY, CONV. KIT, STANLEY 2000	ea
5	202-003118840	BRACKET, BELT CLAMP, SECONDARY, CONV. KIT, STANLEY 2000	ea
6	202-003118819	BRACKET, BELT BASE, 21mm	ea
7	202-003118818	BRACKET, BELT CLASP, 17mm	ea
8	202-003118824	BRACKET, DRIVE COMPONENTS, CONV. KIT, STANLEY 2000	ea
9	202-003118839	PLATE, SPACER, DRIVE COMPONENTS, CONV. KIT, STANLEY 2000	ea
10	202-003118855	PLATE, MOUNTING, ELECT. COMPONENTS, CONV. KIT, STANLEY 2000	ea
11	4-45-0013	PLATE ASSY., TERMINAL BLOCK, 5100	ea
12	9-99-1325	CONTROL ASSY., STG20	ea
13	9-51-0014	CORD, POWER, SJT JACKET	ea
14	202-003118845	SET SCREW, 1/2-20 x1", CUP POINT	ea
15	81-0016-2644	SCREW, 1/4-20 X 5/8" BHCS, FLANGED	N/A
16	81-0017-2658	SCREW, 1/4-20 X 3/8", FLANGED	N/A
17	202-003118853	NUT PLATE, SQUARE, 3/8-16 X 5/8" WIDE	ea
18a	4-51-0144	MOTORDRIVE/PLATE ASSY. ATE20, STANDARD	ea
18b	202-003812205	MOTORDRIVE/PLATE ASSY. ATE20, w/BRAKE for Locking	ea
19	4-51-0142	POWER SUPPLY, ASSY., 110V, SYSTEM 20	ea
20	202-003120620	SCREW, 3/8-16 X 5/8" SHCS	N/A
21	4-51-0812	KIT, UNINTERRUPTABLE POWER SUPPLY, SYSTEM 20 for Locking	ea
22	202-003120592	WIRE ASSY., GROUND, 36" END TO END	ea
23	81-4212-0562	SCREW, 10-32 X .5" FHMS SELF TAPPING	N/A
24	202-003120622	WASHER, 1" OD, 5/8" ID, RUBBER	ea
25	4-51-0818	CONTROL MODULE DISPLAY, ENCLOSURE, w/CABLE w/PLUG	ea
26	9-99-7335	WASHER, FLAT, .5 SAE X 1.0625 OD	N/A
27	202-003121359	INSTRUCTIONS, INSTALLATION, STANLEY CONVERSION KIT	ea

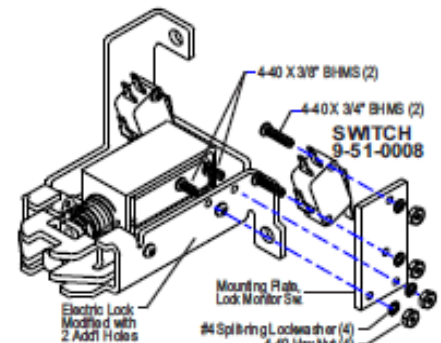


record-USA
4324 Phil Hargett Ct.
Monroe, NC 28110
(704) 289 - 9212

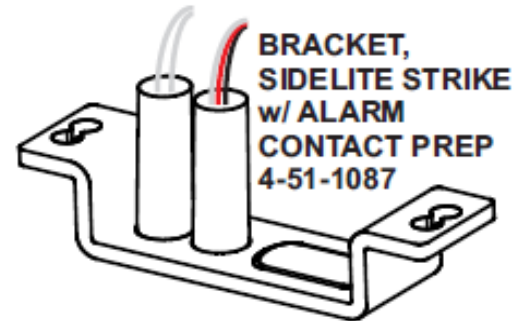
ALARM CONTACTS - SERIES 5100 SLIDING DOOR (FULL BREAKOUT)
Kit, ALARM CONTACTS, DOOR OPEN/DOOR CLOSED 4-51-0824
Kit, ALARM CONTACTS, "SO" PANEL BREAKOUT 4-51-0822 Nov2018



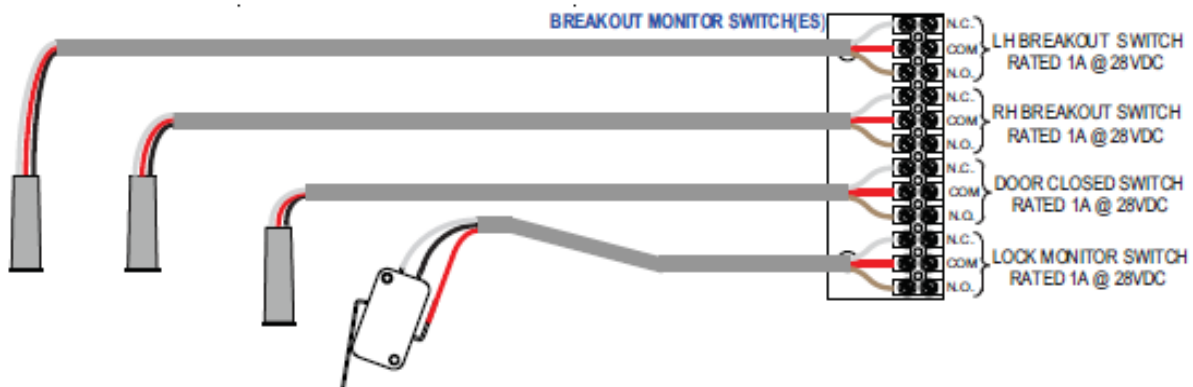
DOOR CLOSED POSITION SWITCH



4-51-0104-MOD LOCK ASSY., FAIL SEC., MONITORED



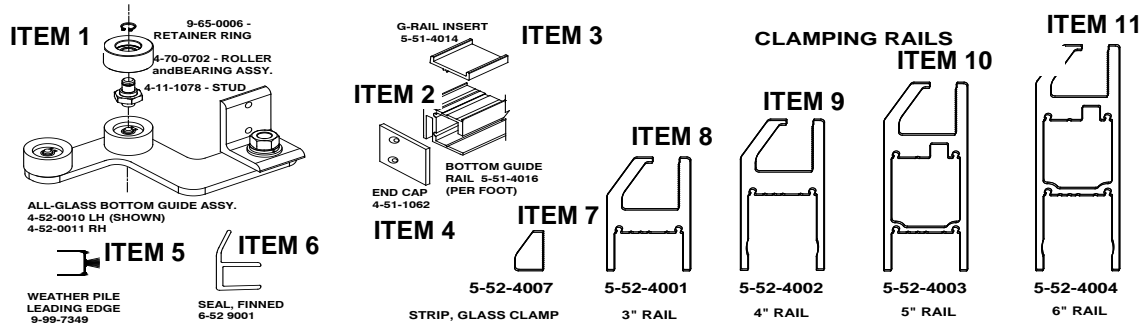
DUAL BREAKOUT MONITOR SWITCHES REQUIRED FOR EACH SO PANEL (1 FOR OPERATOR; 1 FOR ALARM)



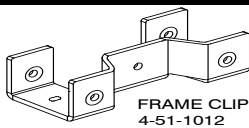


5200 BOTTOM GUIDES, WEATHER SEALS, & DOOR RAILS

5-18



ITEM	PART NUMBER	DESCRIPTION	U of M
~	REPL-52-HEADER	5200 HEADER ASSY.	ea
~	REPL-52-ACCKIT	5200 ACCESSORY KIT	ea
~	REPL-52-RAIL	5200 DOOR RAIL	ea
~	REPL-52-JAMB	5200 JAMB ASSY.	ea
~	REPL-52-PANEL	5200 DOOR PANEL KIT	ea
1	4-52-0010	ALL-GLASS SWAY GUIDE ASSY.-LH	ea
1a	4-52-0011	ALL-GLASS SWAY GUIDE ASSY.-RH	ea
2	5-51-4016-CL	SWAY RAIL CL-DB	ft
3	4-51-4003-MF	INSERT, BOTTOM SWAY RAIL (2 TYPICAL)	ea
4	4-51-1062-BL	END CAP, SWAY RAIL	ea
5	9-99-7349	WEATHERPILE, LEADING EDGE, 8' S/L	ea
5a	9-99-7350	WEATHERPILE, LEADING EDGE, 10' S/L	ea
6	6-52-9001	SEAL, FINNED, DOOR EDGE 16' S/L	ea
7	5-52-4007-CL	STRIP, GLASS CLAMP	ft
8	5-52-4001-CL	3" RAIL CL-DB	ft
9	5-52-4002-CL	4" RAIL CL-DB	ft
10	5-52-4003-CL	5" RAIL CL-DB	ft
11	5-52-4004-CL	6" RAIL CL-DB	ft
~~	9-51-0019	FILM, STATIC CLING VINYL, not shown	ft
~~	4-52-0001	PIVOT ARM ASSY., ALL-GLASS	ea
		BOTTOM GUIDE PARTS	ea
~~	4-70-1527	BRACKET, BOTTOM GUIDE, ALL GLASS	ea
~~	4-52-1002	BRACKET, SWAY GUIDE, ALL GLASS-LH	ea
~~	4-52-1003	BRACKET, SWAY GUIDE, ALL GLASS-RH	ea
~	9-61-0033	SAFETY BEAMS HEADS w/CABLE	ea
~~	9-61-0029	HOLDER, SURFACE MOUNT, SET,(OPTEX)	ea
~	9-99-7366	HOLDER, DOOR EDGE BRUSH SEAL 8ft S/L	ea
~	9-99-7367	SEAL, DOOR EDGE BRUSH 8'6" S/L	ea
~	9-99-0097	LOCK, BOTTOM RAIL, ALL GLASS	ea



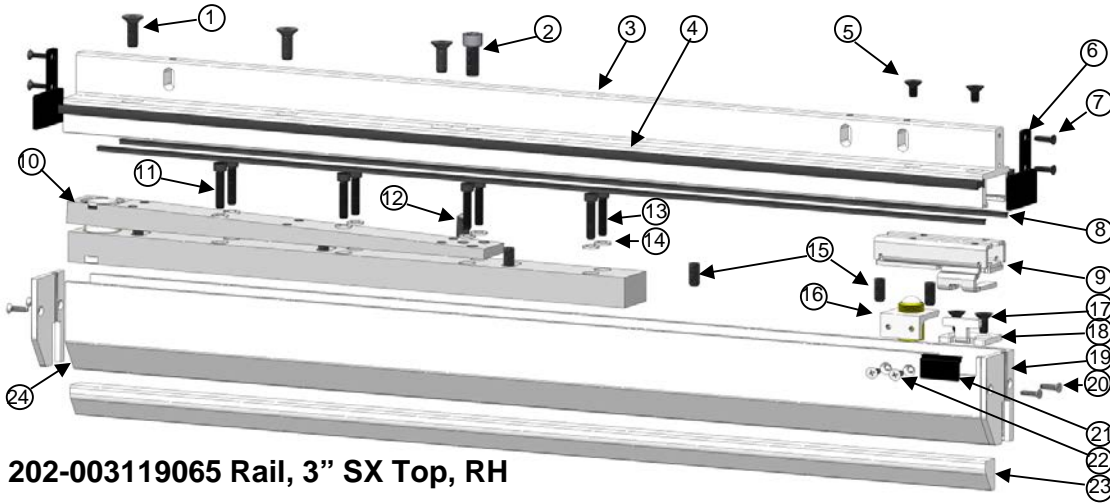
MISCELLANEOUS

~	4-51-1012	BRACKET, JAMB/MULLION MOUNT	ea
~~	4-11-4303	BRACKET, JAMB, TOP PIVOT PP/SA	ea
~~	4-51-4006-BL	ENDCAP, COVER TELE., SURF. APPL., BL	ea
~	5-51-4027-SR	THRESHOLD, 1/2"x7" Saddle, Slip Resistant	ft
~	4-11-1052	PLATE, LOCK STRIKE, JAMB	ea
~	81-0011-0562	SCREW, 10-32X1/2" Ph, FH, MS	N/A
~	4-51-1015	PLATE, WIDE POCKET, HEADER MOUNTING	ea
~	2-51-0003	SCREW PACK, TRANSOM	ea
~	4-51-1005	BRACKET, COVER ATTACH, TELE.	ea

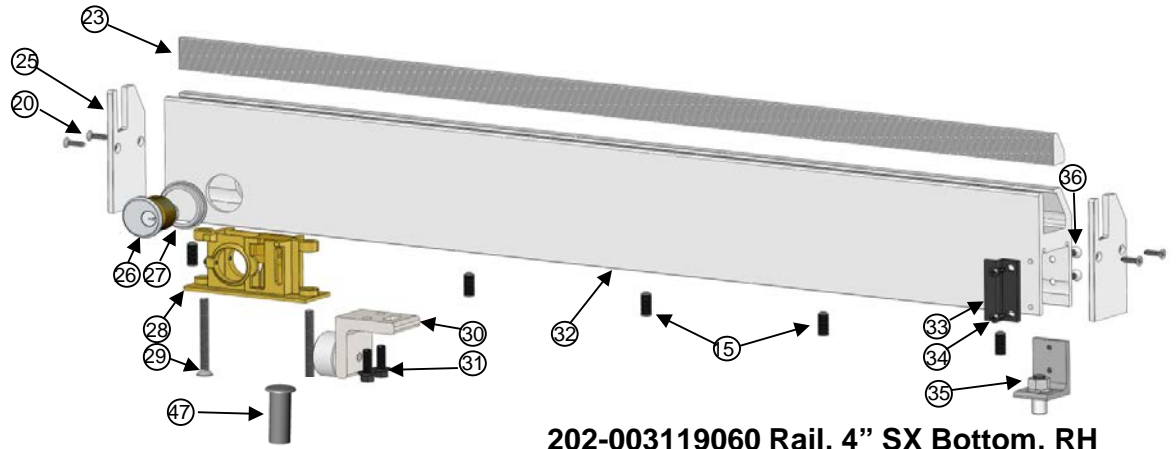


5200 ALL GLASS FULL BREAKOUT DOOR RAIL ASSEMBLIES

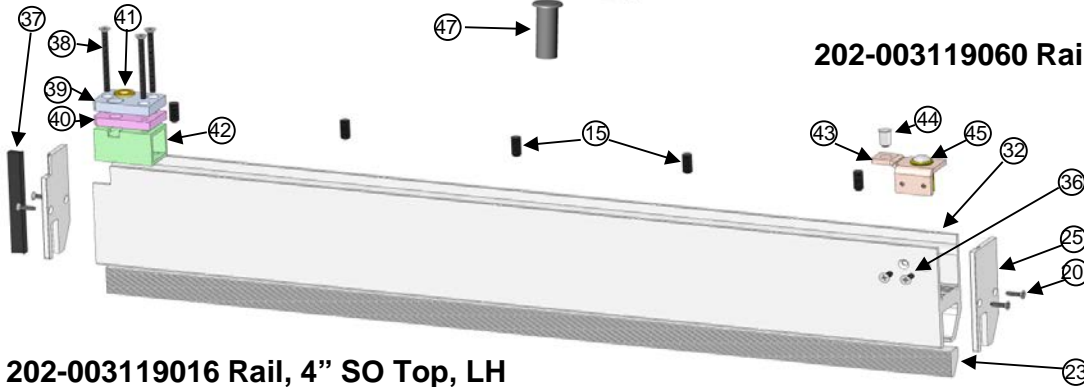
2-17



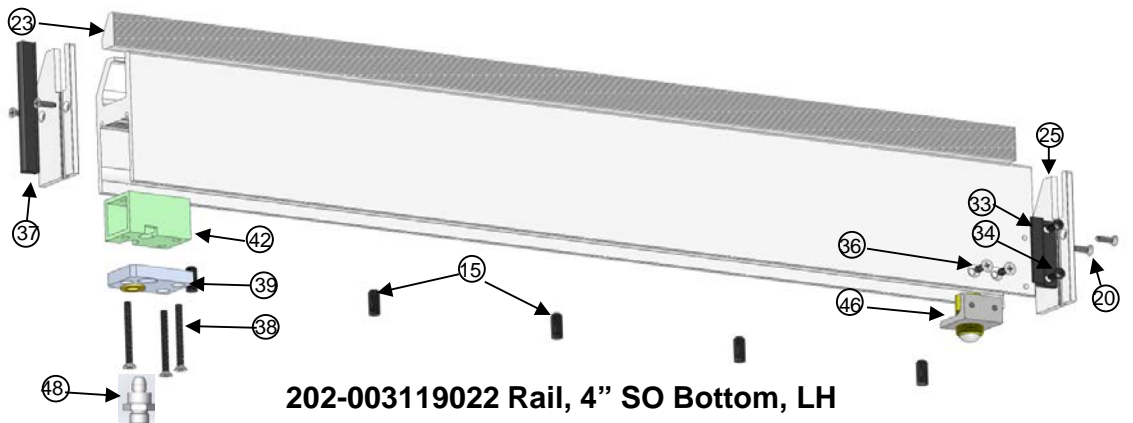
202-003119065 Rail, 3" SX Top, RH



202-003119060 Rail, 4" SX Bottom, RH



202-003119016 Rail, 4" SO Top, LH



202-003119022 Rail, 4" SO Bottom, LH



5200 ALL GLASS FULL BREAKOUT DOOR RAIL ASSEMBLIES

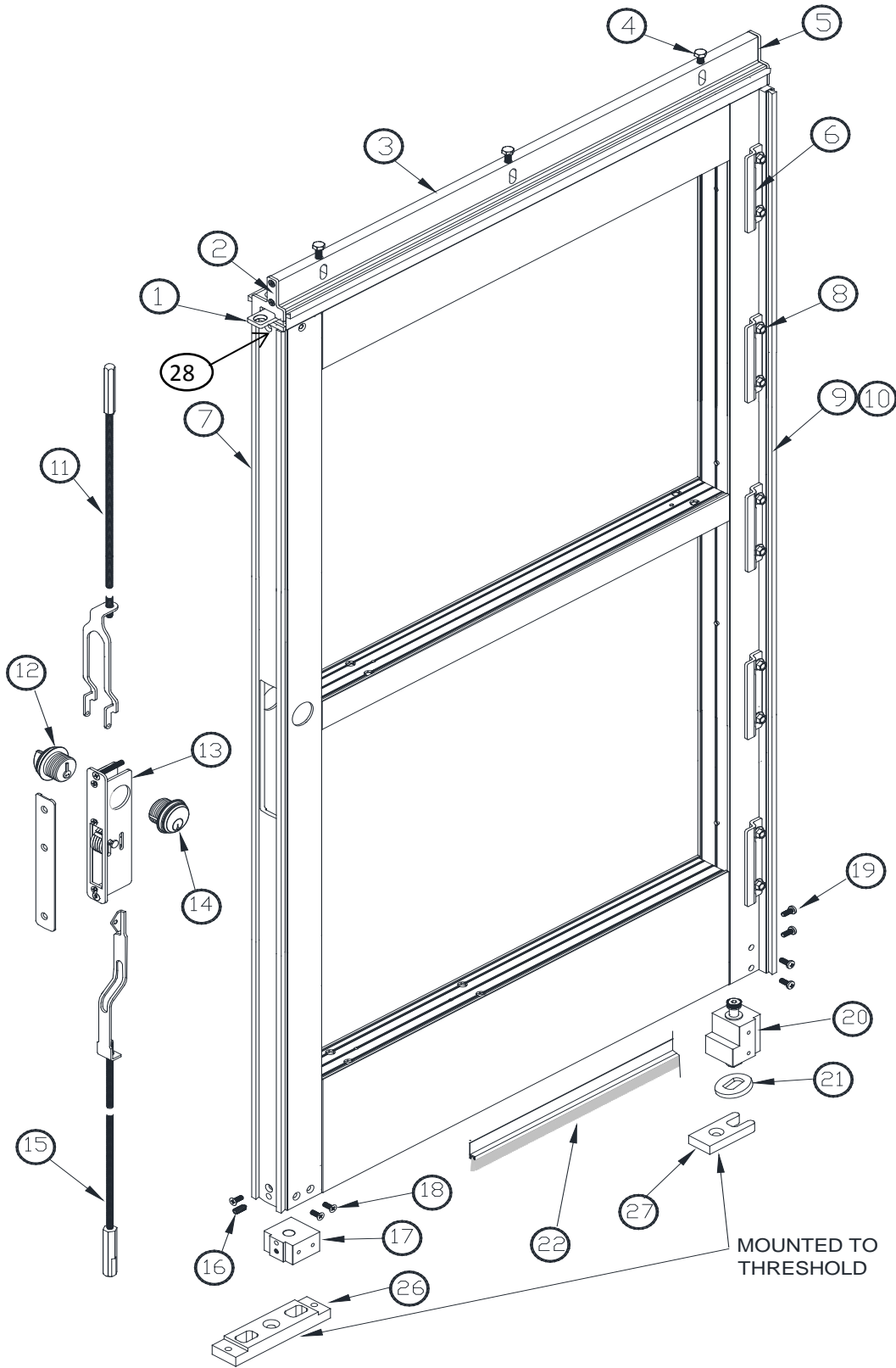
2-17

ITEM	PART NUMBER	DESCRIPTION	U of M
1	81-0011-2720	SCREW, 5/16-18X1"SFHCS	N/A
2	81-0016-2920	SCREW, 3/8-24X1"SHCS	N/A
3	5-51-4006-CL	DOOR CATCH CL - DB	ft
4	9-99-7316	WEATHERPILE, SHORT, BLACK	ft
5	81-0011-2658	SCREW, 1/4-20X3/8"FSHCS	N/A
6	4-51-1049	END CAP, DOOR CATCH	ea
7	81-3511-0412	SCREW, 8-18X1/2"PFHMS Type B BL	N/A
8	9-99-7318-DB	WEATHERPILE, DOOR CATCH	ft
9	4-51-0014	DOOR CATCH ASSY, RH	ea
10	4-52-0001	PIVOT ARM ASSY, ALL GLASS	ea
11	81-0016-2674	SCREW, 1/4-20X1 1/4" SHCS Gr. 8	N/A
12	81-6219-2766	SCREW, 3/8-24X3/4"FSSS	N/A
13	4-52-4020-CL	END CAP, 3"RAIL, RH CL - DB	ea
14	9-99-7161	WASHER, SPLIT LOCK, 1/4"	N/A
15	81-6219-2816	SCREW, 5/16-24X3/4"FSSS	N/A
16	4-52-0012	ROLLER CATCH ASSY.	ea
17	81-0011-2666	SCREW, 1/4-20X5/8FSHCS	N/A
18	4-52-1004	BRACKET,INTERLOCK ASSY	ea
19	4-52-4021-CL	END CAP, 3"RAIL, RH CL - DB	ea
20	81-3511-0412	SCREW, 8-18X1/2"PFHMS Type B Zinc	N/A
21	4-51-9004	COVER, DOOR CATCH	ea
22	81-0012-0562	SCREW, 10-32X3/8" PHMS	N/A
23	5-52-4007-CL	STRIP, GLASS CLAMP	ft
24	5-52-4001-CL	3"RAIL CL-DB	ft
25	4-52-4021-CL	END CAP, 3"RAIL, RH CL - DB	ea
26	4-52-0014-CL	KEY CYLINDER, STANDARD CAM CL-DB	ea
27	9-25-0025-CL	RING, CYLINDER, 3/16" CL-DB	ea
28	9-99-0097	LOCK, BOTTOM RAIL	ea
29	81-4211-0684	SCREW, 1/4-20X2 1/2"PFHMS,Type F	N/A
30	4-52-0013	TOE ROLLER ASSY	ea
31	81-0017-3666	SCREW 1/4-20X3/4"HWHMS Gr8	box
32	5-52-4002-CL	4" RAIL CL-DB	ft
33	4-11-4095-DB	INTERLOCK	ea
34	81-3114-0412-DB	SCREW,8-18X1/2"PPHMS Type AB	box
35	202-003812265	PIN GUIDE	ea
36	81-0012-0562	SCREW,10-32X1/2"FHCS	N/A
37	9-99-7316	WEATHERPILE, SHORT, BLACK	ft
38	81-4211-0684	SCREW,1/4-20X2 1/2"PFHMS TYPE F	N/A
39	202-003119019	BLOCK, PIVOT BLOCK, .375, SO PANEL	ea
40	202-003119018	BLOCK, SPACER,PIVOT BLOCK,.313,SO PANEL	ea
41	9-99-0233	BUSHING, FLANGED, BRONZE	ea
42	202-003119017	SPACER, PIVOT BLOCK, 1.25, SO PANEL	ea
43	202-003119020	BRACKET, BALL CATCH, PANIC MAGNET-RH	ea
44	9-73-0080	MAGNET, PANIC BREAKOUT SWITCH	ea
45	4-70-0582	BALL CATCH ASSY., 3/4-27 THREAD	ea
46	4-52-0012	ROLLER CATCH ASSY.	ea
47	202-003119267	DUST PROOF KEEPER	ea
48	4-19-1007	PIN, SIDELITE PIVOT,TRACKLESS 5900	ea



5400/5500 HURRICANE RATED SLIDING DOOR SX PANEL

1-16



- 
SASH, SQUARE
(23)
- 
GUTTER, HURRICANE
(24)
- 
SWEEPSTRIP HOLDER
"SX" PANEL
(25)

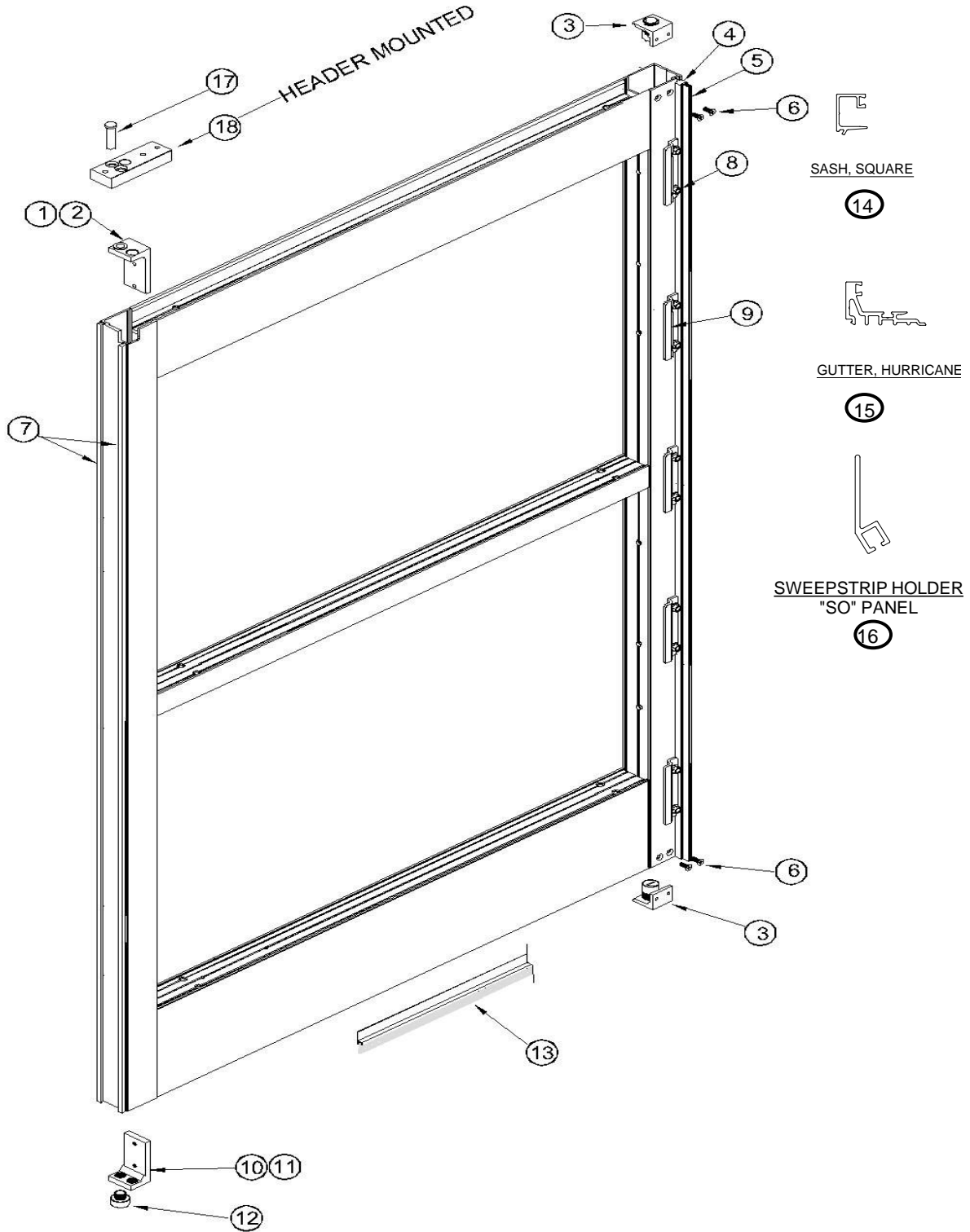


5400/5500 HURRICANE RATED SLIDING DOOR SX PANEL PARTS LIST

1-16

ITEM	PART NUMBER	DESCRIPTION	U of M
~~		HURRICANE RATED "SX PANEL"	ea
		REPLACEMENT PARTS	
1	4-51-1064	PLATE, DOOR INTERLOCK, RH LEAF OF BIPART	ea
2	4-59-1020	END CAP, DOOR CATCH, (POSITIVE LATCH)	ea
3	5-51-4006-CL	DOOR CATCH, 5100 CL-DB	ea
4	81-0718-3666	BOLT, 1/4-20X3/4" HHS, GR 5, W NYLON PATCH	N/A
5	4-51-1049	END CAP, DOOR CATCH	ea
6	4-51-7002	INTERLOCK, DOOR	ea
~	4-40-1002	MOUNTING STRAP, TOP CATCH, INTERLOCK (not shown)	ea
7	9-99-7363	WEATHERPILE, FIN SEAL, SHORT, BLACK	ea
8	81-0017-3664	SCREW, 1/4-20X5/8" HWHMS, GR. 8.	box
~	81-0017-3662	SCREW, 1/4-20X1/2" HWHMS, GR. 8. (top 2 interlocks)	N/A
9	6-51-9004	CHANNEL, WEATHERPILE, 7'3" S/L.	ea
10	9-99-7360	WEATHERPILE, FIN SEAL, TALL, BLACK	ea
11	9-99-0076	HEADER BOLT SET, 31/32 B/SET	ea
12	9-99-0069-CL	CYLINDER, THUMBTURN, CL-DB	ea
13	9-99-0067	FLUSHBOLT, CYL. OPERATED, 31/32 B/SET (w/faceplate)	ea
14	9-99-0064-CL	KEY CYLINDER, CL-DB (KA-50 pair)	ea
15	9-99-0074	BOLT, THRESHOLD	ea
16	9-99-0113	PLUNGER, SPRING LOADED DEVICE	ea
17	4-51-4266	BLOCK, HEX BOLT GUIDE, BOTTOM	ea
18	81-0011-0562	SCREW, 10-32X1/2" PFHMS	N/A
19	81-0074-0558	SCREW, 10-32X1/2" PPHMS, STAINLESS STEEL	N/A
20	4-51-0093	BOTTOM PIN GUIDE ASSY., HURRICANE	ea
21	9-51-0015	WASHER, PIN GUIDE ASSY., HURRICANE	ea
22	9-99-7362	BRUSH, AIR/SMOKE BARRIER, 8ft.S/L	ea
23	5-11-4040-CL	SASH, 1/4" SQUARE, CL-DB	ea
24	5-11-4044-CL	GUTTER, HURRICANE	ea
25	9-99-7347-BL	BRUSH HOLDER, STRAIGHT, BL, 8ft S/L	ea
26	4-51-7006	STRIKE PLATE, LOCKBOLT (BIPART)	ea
27	4-51-7005	PLATE, PIN GUIDE SUPPORT	ea
28	9-99-0113	PLUNGER, SPRING LOADED DEVICE	ea
~	4-51-7010	STRIKE PLATE, LOCKBOLT (SINGLE) (not shown)	ea
15b	4-51-7008	HEX BOLT, THRESHOLD, 1/4-20 TAP	ea
17b	4-51-4265	BLOCK, FLUSHBOLT SUPPORT, TOP	ea

5400/5500 HURRICANE RATED SWING OUT SIDELITE SO PANEL

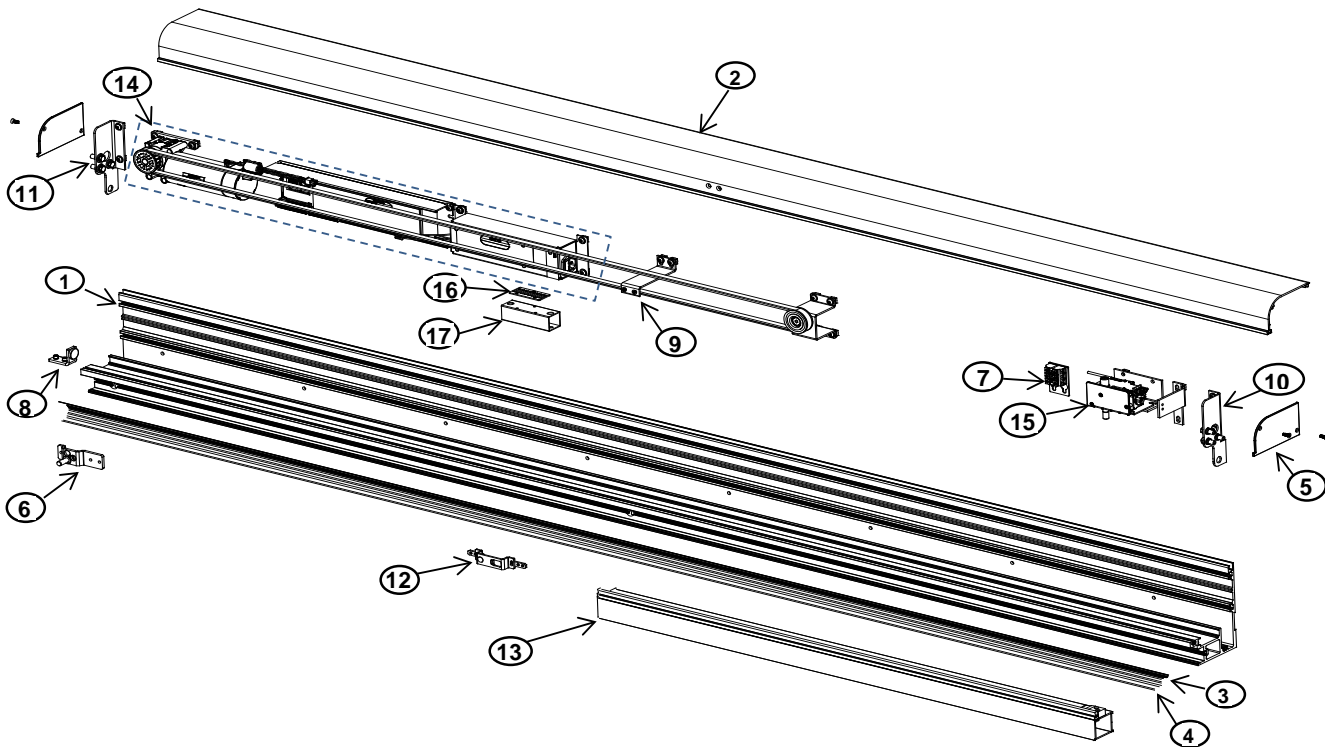




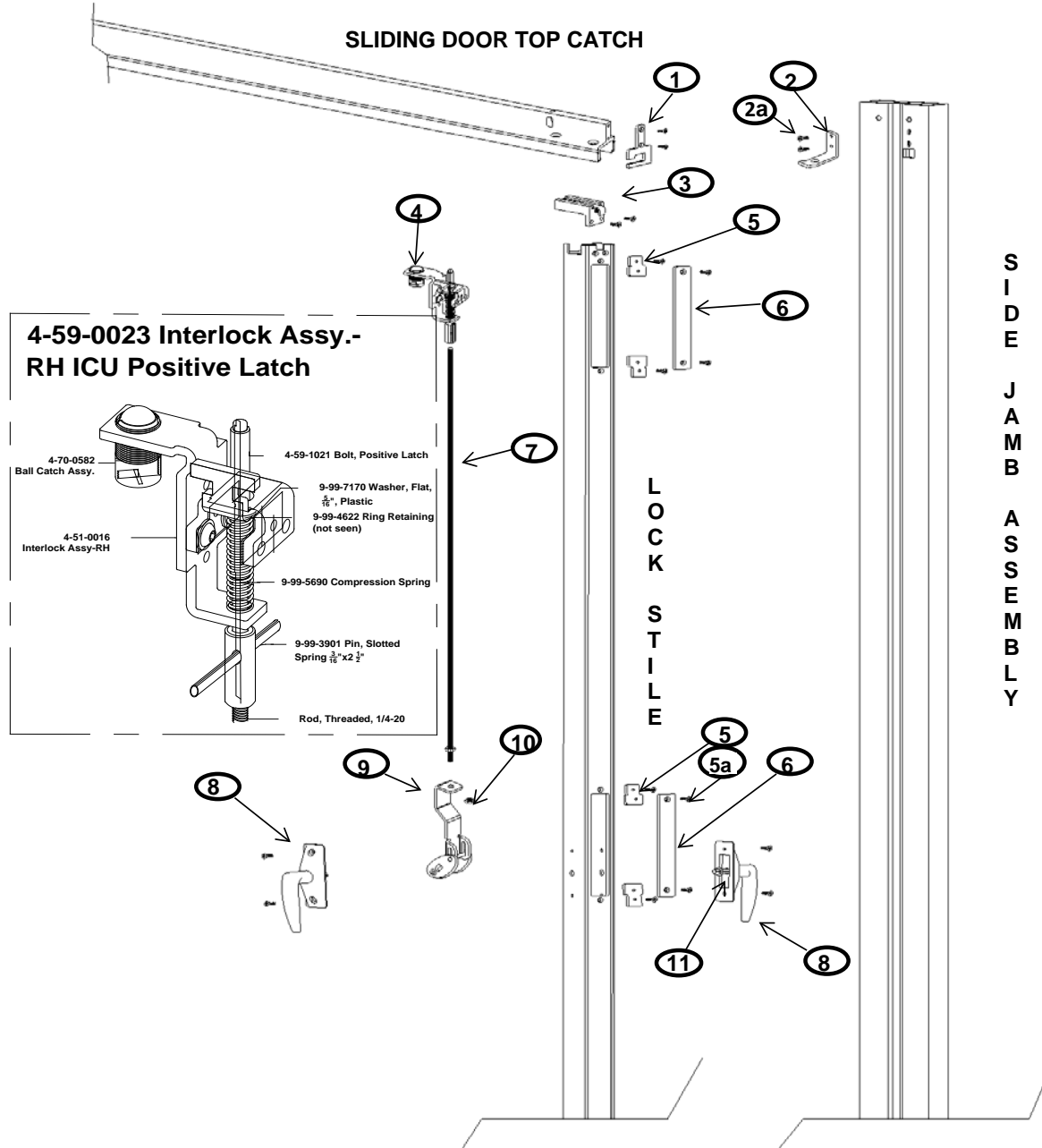
5400/5500 HURRICANE RATED SWING OUT SIDELITE SO PANEL PARTS LIST

1-16

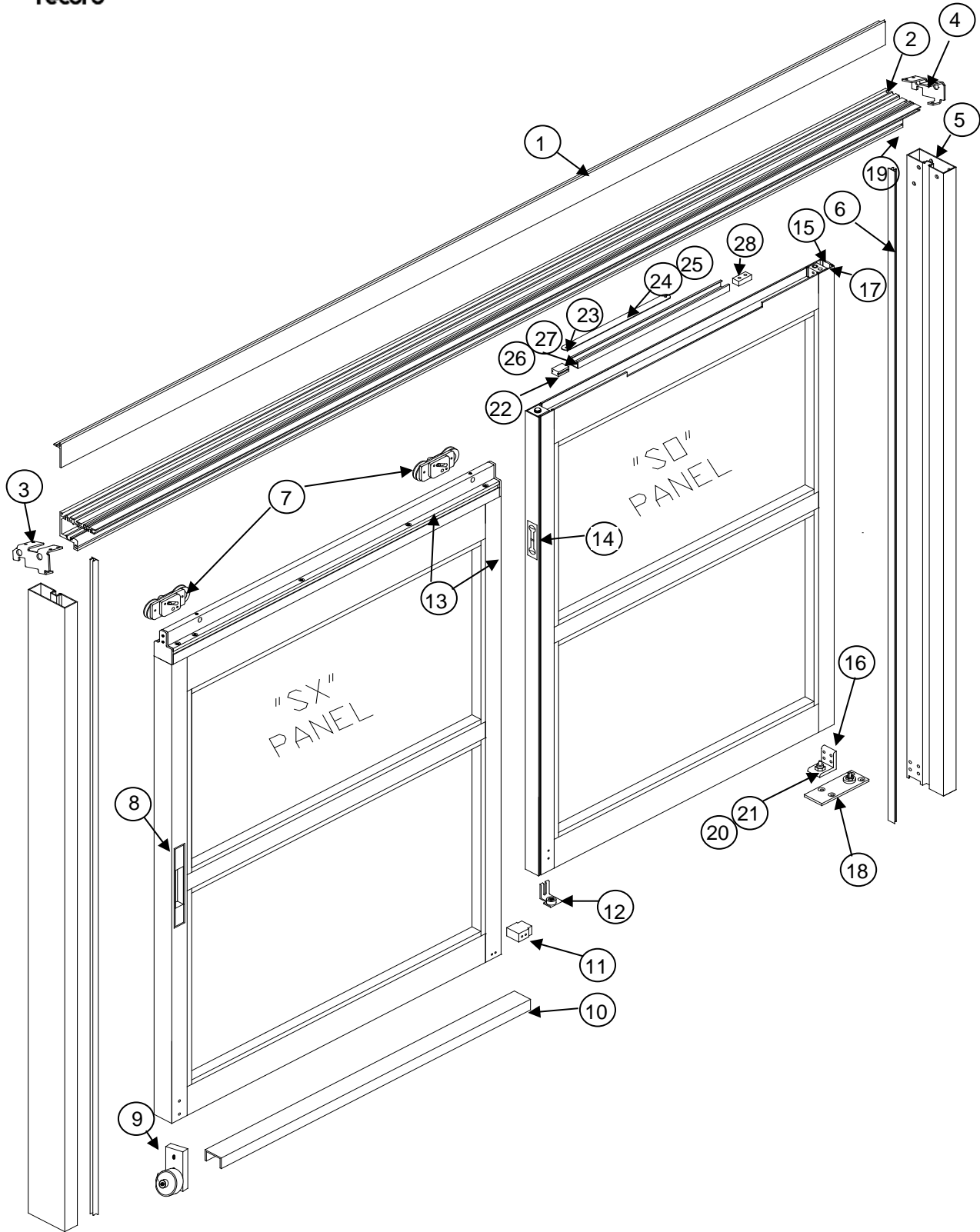
ITEM	PART NUMBER	DESCRIPTION	U of M
~~		HURRICANE RATED "SO PANEL"	ea
		REPLACEMENT PARTS	
1	4-11-0432	ANGLE ASSY., SIDELITE PIVOT , LH (top)	ea
2	4-11-0433	ANGLE ASSY., SIDELITE PIVOT, RH (top)	ea
3	4-51-0095	ROLLER CATCH ASSY. (top & bottom)	ea
4	6-51-9004	CHANNEL, WEATHERPILE, 7'3" S/L	ea
5	9-99-7360	WEATHERPILE, FIN SEAL, TALL,BL.	ea
6	81-0011-0562	SCREW, 10-32X1/2" Ph, FH, MS	N/A
7	9-99-7360	WEATHERPILE, FIN SEAL, TALL, BL.	ea
8	81-0017-3664	SCREW,1/4-20X5/8" HWHMS, GR. 8	box
9	4-51-7002	INTERLOCK, DOOR	ea
~	4-40-1002	MOUNTING STRAP, TOP CATCH, DOOR INTERLOCK	ea
10	4-51-1067	ANGLE.,SIDELITE PIVOT, (bottom)	ea
12	4-51-7003	BUSHING, SIDELITE PIVOT (bottom)	ea
13	9-99-7362	BRUSH, AIR/SMOKE BARRIER, 8ft S/L	ea
14	5-11-4040-CL	SASH, 1/4" SQUARE, CL-DB	ea
15	5-11-4044-CL	GUTTER, HURRICANE, CL-DB	ea
16	9-99-7348-BL	HOLDER,DOOR SWEEPSTRIP,ANGLED,BL, 8ft S/L	ea
17	9-58-0008	PIN, CLEVIS 3/8"X1 1/4"	box
18	4-51-4152	BLOCK, UPPER SIDELITE PIVOT	ea



ITEM	PART NUMBER	DESCRIPTION	U of M
1	5-59-4004-CL	HEADER, 4.25, 24', CL-DB	ft
2	202-004119287CL	COVER, 4.25 HEADER, 24' CL-DB	ft
3	5-51-4004-CL	ROLLER TRACK, SERIES 5100, 24'	ft
4	9-51-0001	DAMPER, ROLLER TRACK, 5100	ft
5	202-003121062	END CAP, COVER, 4.25 HEADER, AUTO SERIES	ea
6	4-51-0008	BRACKET ASSY., UPPER SIDELITE PIVOT, RH(shown)	ea
6a	4-51-0007	BRACKET ASSY., UPPER SIDELITE PIVOT, LH	ea
7	4-51-0010	PLATE ASSY., TERMINAL BLOCK	ea
8	4-51-0020	DOOR STOP ASSY.	ea
9	202-003121697	BRACKET, COVER SUPPORT, 4.25 HEADER	ea
10	202-003121696	BRACKET, HEADER MOUNTING, 4.25 HEADER-RH	ea
11	202-003121695	BRACKET, HEADER MOUNTING, 4.25 HEADER-LH	ea
12	202-003814817	BRACKET,FLUSHBOLT-MAGNET&SWITCH ASSY.	ea
12a	202-003121744	BRACKET, SIDELITE STRIKE,FLUSHBOLT	ea
12b	9-73-0079	MAGNET, PANIC SWITCH	ea
12c	9-73-0080	PANIC SWITCH, BREAKOUT, MAGNETIC	ea
13	4-59-XXXX	ANTI BREAKOUT TUBE	ea
14	4-51-0826	KIT,SYSTEM 20 DRIVE MODULE	ea
15	202-003814202	KIT, ELECTRIC LOCK, VRR 20, MOTORIZED	ea
16	202-003121952	BRACKET, BELT CLAMP, 5800	ea
17	202-003121600	BRACKET, TUBE, BELT BASE, 5800	ea
MISCELLANEOUS ITEMS			
~	102-032136	WIRE ROPE, 1.5MM	ft
~	102-032167	CABLE SHEATH, 8MM, VRR20 LOCK	ft
~	202-003122446	CRIMP, .0625 WIRE, .375 LONG	ea
~	102-020808415	ELECTRIC LOCK, VRR 20, MOTORIZED	ea
~	202-003122274	BRACKET, ELECTRIC LOCK	ea
~	102-020808513	MOUNTING SET, VRR LOCK	ea
~	102-020808757	MANUAL ULOCK HANDLE	ea
~	202-003121716	BLOCK, TBG, HEEL GUIDE	ea
~	202-003122171	FLUSHBOLT, 2 WAY, MS880	ea
~	202-003814184	BOTTOM GUIDE ASSY., TBG MAX OPEN - RH	ea
~	202-003814185	BOTTOM GUIDE ASSY., TBG MAX OPEN - LH	ea



ITEM	PART NUMBER	DESCRIPTION	QTY.
1	4-59-1020	END CAP, DOOR CATCH, POSITIVE LATCH	ea
2	4-59-1009	STRIKE, POSITIVE LATCH, SINGLE	ea
2a	81-0019-2558	10-32x3/8" LOW HEAD SOC CS	ea
3	4-59-0024	ACTIVATOR ASSEMBLY, ICU, POSITIVE LATCH	ea
4	4-59-0023	INTERLOCK ASSEMBLY, RH, POSITIVE LATCH	ea
4a	4-59-0022	INTERLOCK ASSEMBLY, LH, POSITIVE LATCH	ea
5	4-59-4001	BRACKET, FACEPLATE	ea
5a	81-4211-0412	Screw, 8-32x1/2" Ph FH Type F	N/A
6	9-99-0051-CL	FACEPLATE, BLANK CL-DB	ea
7	9-99-6151	ROD, THREADED, 1/4-20	ea
8	4-59-0021-CL	LEVER HANDLE ASSY., SET, 2 HANDLES CL-DB	ea
9	4-59-0025	ASSEMBLY, POSITIVE LATCH LINK	ea
10	9-99-3402	NUT, HEX, JAM, 1/4-20	N/A
11	9-99-4628	RING, PUSH ON, SELF LOCKING(HANDLE SHAFT)	ea
~	4-59-7002	STRIKE, POSITIVE LATCH, BIPART (not shown)	ea
~	9-99-7170	WASHER, Flat, 5/16", PLASTIC (not seen)	ea
~	9-99-4622	RING, RETAINING, (not seen)	ea
~	4-59-1021	BOLT, POSITIVE LATCH	ea
~	9-99-5690	COMPRESSION SPRING, ICU	ea
~	9-99-3901	PIN, SLOTTED, SPRING, 3/16"X2 1/2" SS	ea

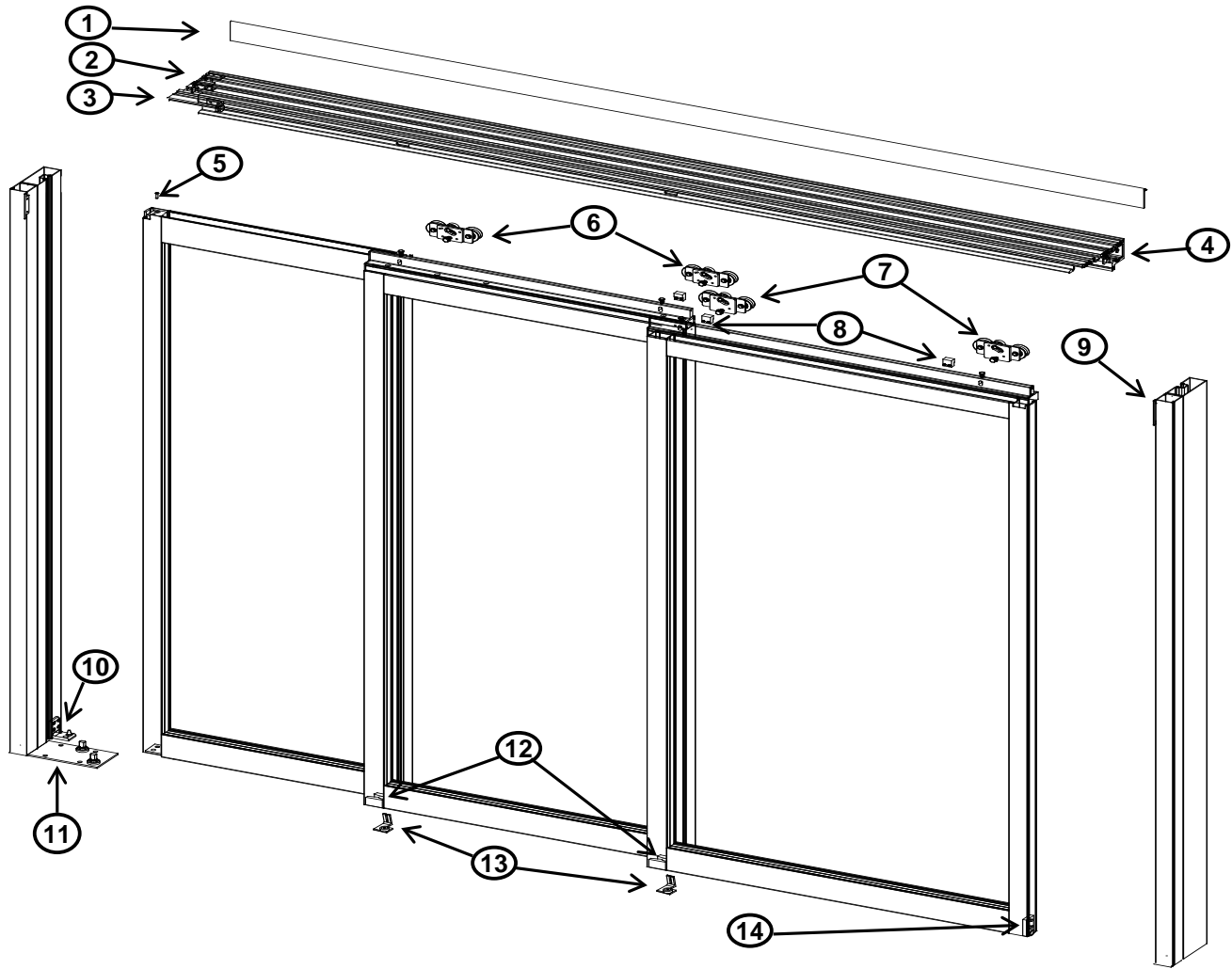




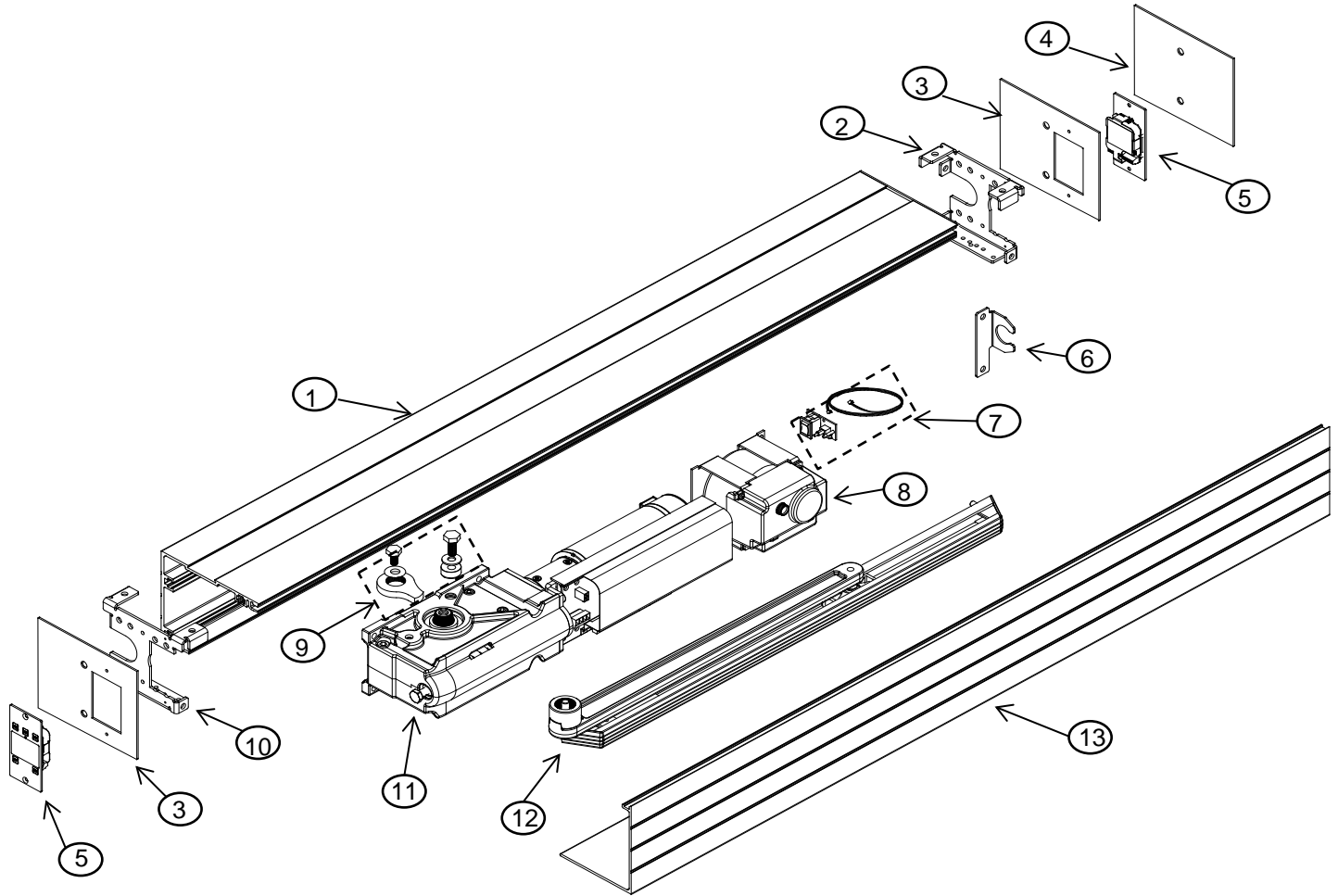
5900 TRACKLESS ICU PARTS LIST

11-18

ITEM	PART NUMBER	DESCRIPTION	U of M
~	REPL-59-HEADER		ea
~	REPL-59-PANEL	5900 DOOR PANEL	ea
~	REPL-59-ACCKIT	5900 ACCESSORY KIT	ea
~	REPL-59-JAMB	5900 JAMB ASSY.	ea
~	REPL-59-STILE	5900 DOOR STILE ASSY.	ea
~	REPL-59-RAIL	5900 DOOR RAIL ASSY.	ea
1	5-59-4003-CL	COVER, SERIES 5900 ICU CL-DB	ft
2	5-59-4001-CL	HEADER, SERIES 5900 ICU CL-DB	ft
3	4-59-1003	BRACKET, ICU HEADER MNTING. - LH	ea
4	4-59-1004	BRACKET, ICU HEADER MNTING. - RH	ea
5	5-60-1418-CL	SIDE JAMB 1 3/4"X4 1/2" CL-DB	ft
6	5-60-1532-CL	FILLER, SIDE JAMB CL-DB	ft
7	4-51-0012	CARRIER ASSY., SLAVE	ea
8	9-99-2836	DOOR PULL, RECESSED, METAL	ea
9	4-51-0028	TOE ROLLER ASSY.	ea
10	5-19-4003	ALUMINUM CHANNEL - MF 1 1/4"X3/4"X1/8"	ft
11	4-19-9001	BLOCK, BOTTOM DOOR PIVOT, TRACKLESS	ea
12	4-19-0026	TRACKLESS BOTTOM GUIDE ASSY.-LH	ea
~~~	4-19-0027	TRACKLESS BOTTOM GUIDE ASSY.-RH	ea
13	4-51-0001	WELDMENT, TORQUE BAR	ea
14	9-99-0073-CL	FLUSHBOLT, MANUAL CL-DB	ea
~	9-99-0053	PLASTIC GUIDE, MANUAL FLUSHBOLT	ea
15	4-11-1086	ANGLE, SIDELITE PIVOT, TOP "PA1-L"	ea
16	4-19-1020	ANGLE, SIDELITE PIVOT, BOTTOM, TRACKLESS	ea
17	9-99-0232	BEARING, FLANGED (OILITE)	ea
18	4-19-0025	TRANSFER PIVOT ASSY., TRACKLESS ICU	ea
18a	4-19-7001	STUD, TRANSFER PIVOT ICU, TRACKLESS	ea
~	9-99-0238	BEARING, OILITE, (HEADER)	ea
19	9-58-0008	CLEVIS PIN, 3/8"X 1 1/4"	box
20	4-60-1091	BRACKET, SIDELITE PIVOT, TRACKLESS ICU	ea
21	4-19-1007	PIN, SIDELITE PIVOT, BOTTOM, TRACKLESS ICU	ea
22	4-24-9003	SLIDE BLOCK	ea
23	4-20-1090	STUD, SLIDE ARM (not shown)	ea
24	4-19-1016	STOP LINK ARM >40" SLW (16.875")	ea
25	4-19-1015	STOP LINK ARM <40" SLW (10.875")	ea
26	4-19-1017	STOP LINK TRACK <40" SLW (10.5")	ea
27	4-19-1018	STOP LINK TRACK >40" SLW (15.750")	ea
28	4-19-1019	STOP BLOCK	ea
~~	9-99-7323	WASHER, SPRING	ea
~~	4-59-9002	END CAP, ANTI-BREAKOUT TUBE	ea
~~	9-99-2813-CL	DOOR PULL, SURFACE CL-DB	ea
~~	9-99-2809-CL	DOOR PULL, SURFACE CL-DB BACK TO BACK	ea
~~	9-99-2827-CL	DOOR PULL, SURFACE CL-DB OFFSET	ea
~~	9-99-2826-BL	DOOR PULL, SURFACE, BLACK, OFFSET, BACK TO BACK	ea
~	6-59-9001	VINYL, SMOKE/AIR SEAL, FIN, 16' S/L	ft
~	9-99-7362	BRUSH, AIR/SMOKE BARRIER, 8ft S/L	ea
~	9-99-7347	HOLDER, DOOR SWEPSTRIP, STRAIGHT CL-BL	ft
~	4-51-9010	STRIP, POLYURETHANE, 13/16" X 48" BOTTOM SEAL	ea
~	6-11-9009	VINYL, SMOKELESS ICU	ft



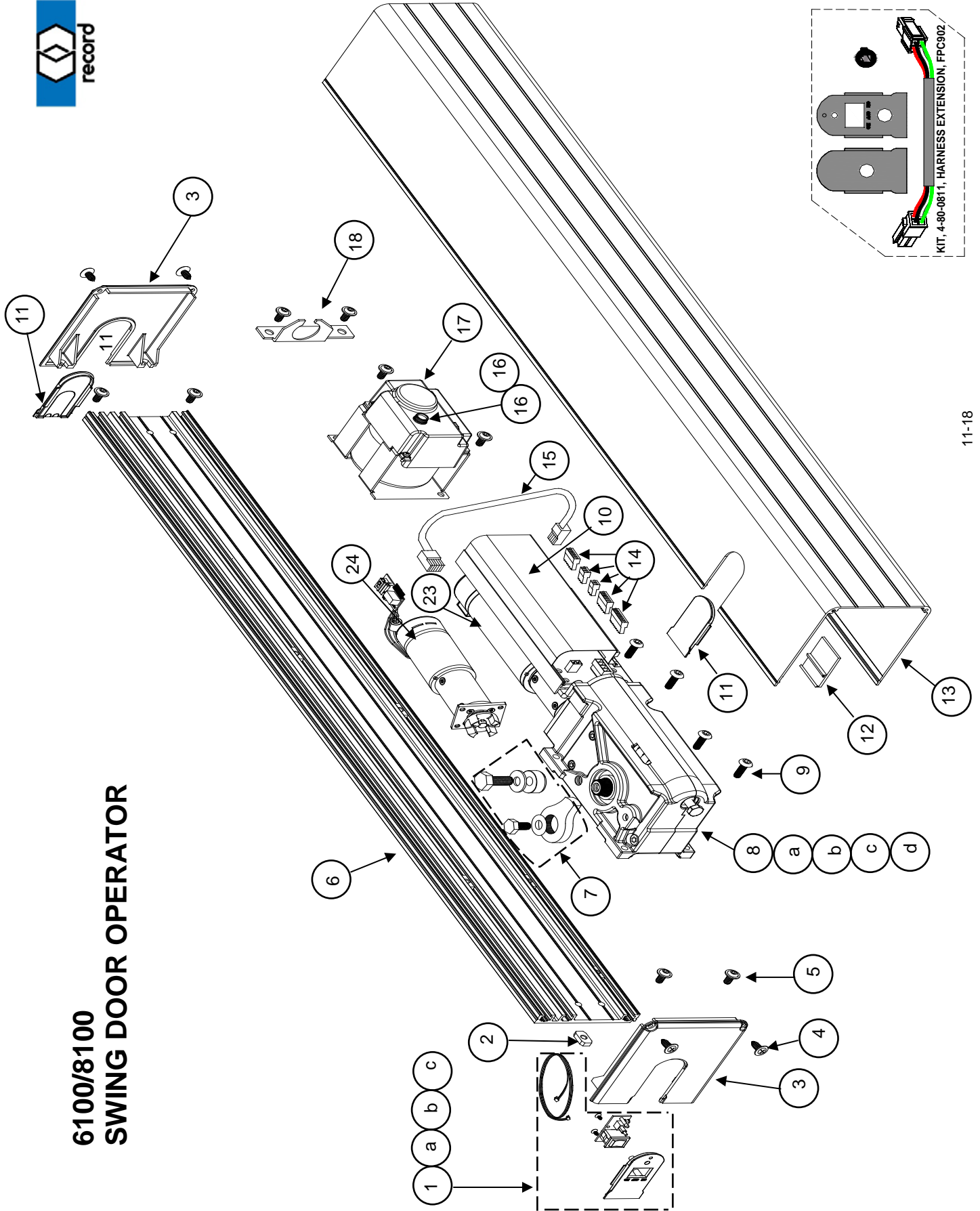
ITEM	PART NUMBER	DESCRIPTION	U of M
	<b>REPL-59-PANEL</b>	<b>SX PANEL or SLIDING DOOR PANEL CL-DB, ICU</b>	<b>ea</b>
	<b>REPL-59-PANEL</b>	<b>SO PANEL or SWING OUT PANEL CL-DB, ICU</b>	<b>ea</b>
1	5-59-4003-CL	COVER, SERIES 5900 ICU CL-DB	ft
2	5-59-4001-CL	HEADER, SERIES 5900 ICU CL-DB	ft
3	5-59-4002-CL	INSERT, TELESCOPE HEADER CL-DB	ft
4	4-59-1004	BRACKET, ICU HEADER MNTING., RH	ea
4a	4-59-1003	BRACKET, ICU HEADER MNTING., LH	ea
5	9-58-0008	CLEVIS PIN 3/8"X 1 1/4"	box
6	4-51-0012	CARRIER ASSY., SLAVE	ea
7	4-59-0012	CARRIER ASSY. TELE. ICU, Gold plate 7/8" bolt	ea
8	4-59-9001	BLOCK, DOOR TIMING, TELE. ICU	ea
9	5-51-4029-CL	SIDE JAMB, 1 3/4"X6 3/4", TELESCOPE CL-DB 12' S/L	ft
10	4-60-1091	BRACKET, SIDELITE PIVOT, TRACKLESS ICU	ea
10a	4-19-1007	PIN, SIDELITE PIVOT, BOTTOM, TRACKLESS ICU	ea
11	4-59-0019	TRANSFER PIVOT ASSY., TRACKLESS TELE., LH	ea
11a	4-59-0020	TRANSFER PIVOT ASSY., TRACKLESS TELE., RH	ea
12	4-19-9001	BLOCK, BOTTOM DOOR PIVOT, TRACKLESS ICU	ea
13	4-19-0027	TRACKLESS ICU BOTTOM GUIDE ASSY., RH-shown	ea
13a	4-19-0026	TRACKLESS ICU BOTTOM GUIDE ASSY., LH-not shown	ea
14	4-51-0028	TOE ROLLER ASSY.	ea



ITEM	PART NUMBER	DESCRIPTION	U of M
1	5-85-4003-CL	HEADER, OHC CL-DB	ft
2	202-005121579	BRACKET,HEADER to JAMB,BDE-D,Simpleswing,RH	ea
3	202-005121570	END CAP,HEADER,8000,BDE-D Cutout,Simpleswing	ea
4	4-85-1011	END CAP, HEADER, (BLANK)	ea
5	9-99-1321	CONTROL MODULE, DISPLAY	ea
6	4-51-1004	BRACKET, CONDUIT ANCHOR	ea
7	9-80-0106	KIT, ROCKER SWITCH ASSY. w/CABLE	ea
8	9-80-0102	POWER SUPPLY, 6100/8100	ea
9	9-80-0103	KIT, HARD STOP	ea
10	202-005121578	BRACKET,HEADER to JAMB,BDE-D,Simpleswing,LH	ea
11	9-80-0101	DRIVE MODULE w/CONTROL, S8000	ea
12	9-80-0104	SLIDE TRACK ARM ASSY. w/20mm ADAPTOR	ea
13	5-85-4004-CL	COVER, OHC CL-DB	ft



# 6100/8100 SWING DOOR OPERATOR



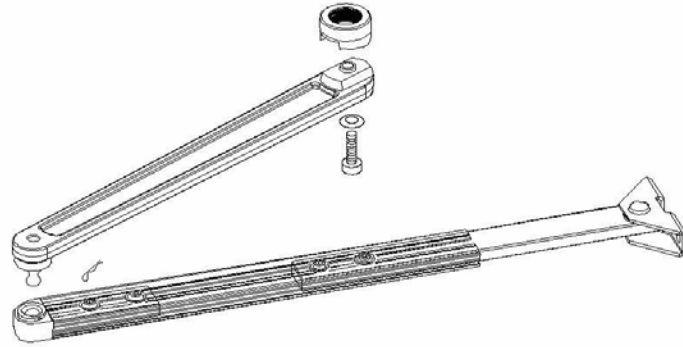




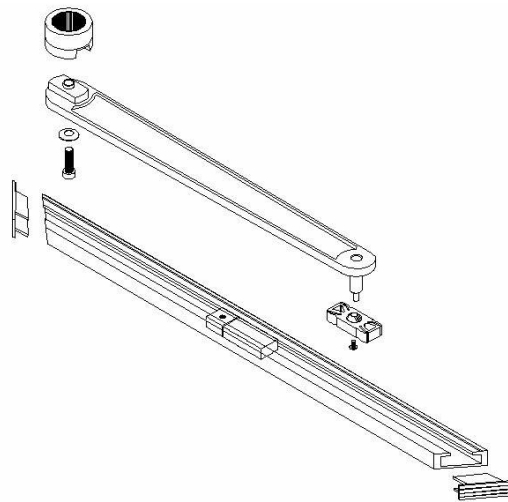
# 6100/8100 SWING DOOR OPERATOR

3-18

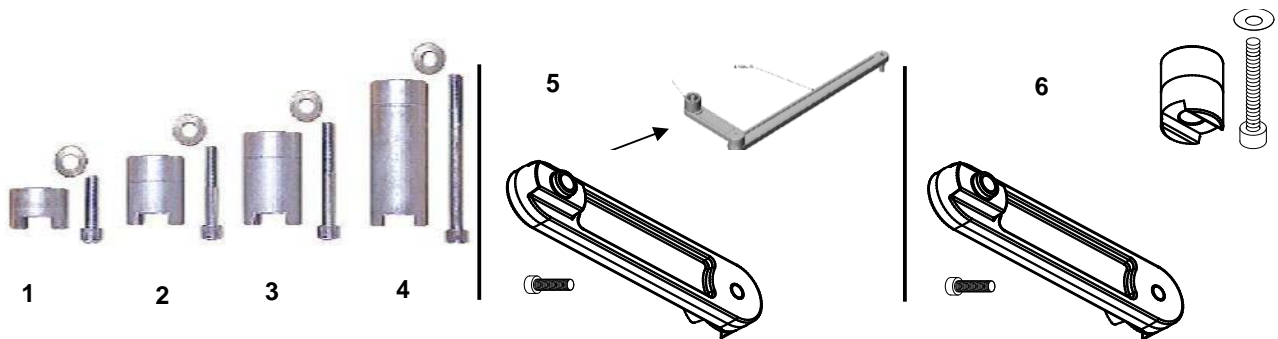
ITEM	PART NUMBER	DESCRIPTION	U of M
1	4-80-0802	KIT, RKR. SWITCH,CABLE,INSERT,& SCREWS	ea
a	6-80-9004	INSERT, COVER (SWITCH)	ea
b	9-80-0106	KIT, ROCKER SWITCH ASSY. w/CABLE	ea
c	81-4814-0106	SCREW, 2-28X5/16" Ph. PH PLASTITE, ZINC	N/A
2	9-99-3507	NUT PLATE, SQUARE,1/4-20 (1 hole)	box
3	6-80-9001	END CAP, COVER	ea
4	81-3114-0412-DE	SCREW, 8x1/2" Ph. PH SMS BL OXIDE	box
5	81-0017-2658	SCREW, 1/4-20X3/8" ALLEN BH BL OXIDE	box
6	5-80-4001-MF	PLATE, OPERATOR MOUNTING, 6100/8100	ft
7	9-80-0103	KIT, HARD STOP	ea
8a	9-80-0101	DRIVE MODULE, w/ CONTROL S8000	ea
8b	9-80-0201	DRIVE MODULE, w/ CONTROL S8000 w/BRAKE	ea
8c	9-61-0101	DRIVE MODULE, w/ CONTROL S6100	ea
9	81-0014-2666	SCREW 1/4-20X3/4" ALLEN BH	N/A
10	9-80-0114	CIRCUIT BOARD, 6100/8100 RJ-11 CONN.,encoder	ea
11	6-80-9003	INSERT, PLAIN, COVER & END CAP	ea
12	6-80-9002	INSERT, SHAFT CUTOUT, COVER	ea
13	5-80-4004-CL	COVER, 6100/8100 CL-DB	ft
14	4-80-0801	KIT, CONTROL PLUG-IN TERMINAL BLOCKS	ea
	9-99-6606	J1 CONNECTOR, (CANBUS) 25-28	ea
	9-99-6601	J2 CONNECTOR, (AKA, AKI) 1-7	ea
	9-99-6602	J3 CONNECTOR, (AUX/SIO/SIS) 8-13	ea
	9-99-6603	J4 CONNECTOR, (EMERG. C/O) 14-15	ea
	9-99-6604	J5 CONNECTOR, (ALARM) 16-18	ea
	9-99-6605	J6 CONNECTOR, (VRR/VAK) 19-24	ea
15	9-80-0020	HARNESS, ENCODER, RJ-11 CONN.	ea
16	9-99-1902	FUSE HOLDER	ea
16a	9-99-1939	FUSE, 5x20, 2 amp, slow blow	ea
17	9-80-0102	POWER SUPPLY, 6100/8100	ea
18	4-51-1004	BRACKET, CONDUIT ANCHOR	ea
19	9-80-0009	HARNESS, PWR. SUPPLY>CONTROL (not shown)	ea
20	9-99-0783	SHORTING BRIDGE (jumper),TERM. BLOCKS	ea
21	9-99-0784	SHORTING BLOCK for 0.1C/L POSTS	ea
22	4-80-0803	KIT, HEADER ASSY. PKG. endcaps,inserts,screws,nut plates, decal	ea
23	9-80-0111	MOTORDRIVE ASSY., 8100	ea
23a	202-005812172	MOTORDRIVE ASSY., 8100 for BREAKOUT	ea
24	9-61-0111	MOTORDRIVE ASSY., 6100	ea
~~	4-80-4016-CL	COVER ONLY, MACHINING, SINGLE CL-DB	ea
~~	4-80-4018-CL	COVER ONLY, MACHINING, DUAL CL-DB	ea
~~	4-80-0013-CL	COVER & BACKPLATE ASSY.,SINGLE CL-DB (complete)	ea
~~	4-80-0018-CL	COVER & BACKPLATE ASSY.,DUAL CL-DB (complete)	ea
~~	9-80-0018	ENCODER DISC, METAL, (short shaft)	ea
~~	9-80-0019	ENCODER DISC, PLASTIC, (long shaft)	ea
~~	9-80-0016	HARNESS, ENCODER ADAPTOR	ea
~~	4-80-1003	BRACKET, COVER SUPPORT	ea
~~	9-80-0109	PCB, ENCODER, BLUE FLAT PLUG	ea
~~	9-80-0115	PCB, ENCODER, RJ-11 CONN. PLUG	ea
~~	9-80-0112	MOTORDRIVE ASSY. 8100, w/BRAKE	ea
~~	9-80-0113	MOTOR PCB W/BREAKOUT (factory must add to motor)	ea
~~	2-81-0001	SCREW PACK,>2- 10-16X1 1/2" + 8- 1/4-14X2"	ea
~~	9-80-0017	DOOR POSITION SWITCH	ea
~~	9-99-6510	<b>TERMINAL STRIP, INSULATED, 12 CONDUCTOR</b>	ea
	9-87-0115	CABLE, 22AWG, 2 twisted pair	ft



ITEM	PART NUMBER	DESCRIPTION	U of M
1	9-80-0105	STANDARD ARM ASSY. w/35mm Adaptor	ea



ITEM	PART NUMBER	DESCRIPTION	U of M
2	9-80-0104	SLIDE TRACK ARM ASSY. w/20mm Adaptor	ea



1	9-80-0006	ARM ADAPTOR <b>20MM</b> (1/2")	ea
2	9-80-0008	ARM ADAPTOR <b>35MM</b> ( 1 ")	ea
3	9-80-0007	ARM ADAPTOR <b>50MM</b> (1 3/4")	ea
4	9-80-0011	ARM ADAPTOR <b>80MM</b> ( 3")	ea
5	9-80-0107	ADAPTOR, OFFSET SLIDE ARM	ea
6	4-80-0804	KIT, DOUBLE EGRESS ADAPTOR (50MM)	ea





# 8600 OHC SWING DOOR BOTTOM PIVOT ASSEMBLIES(Optional)

8-13



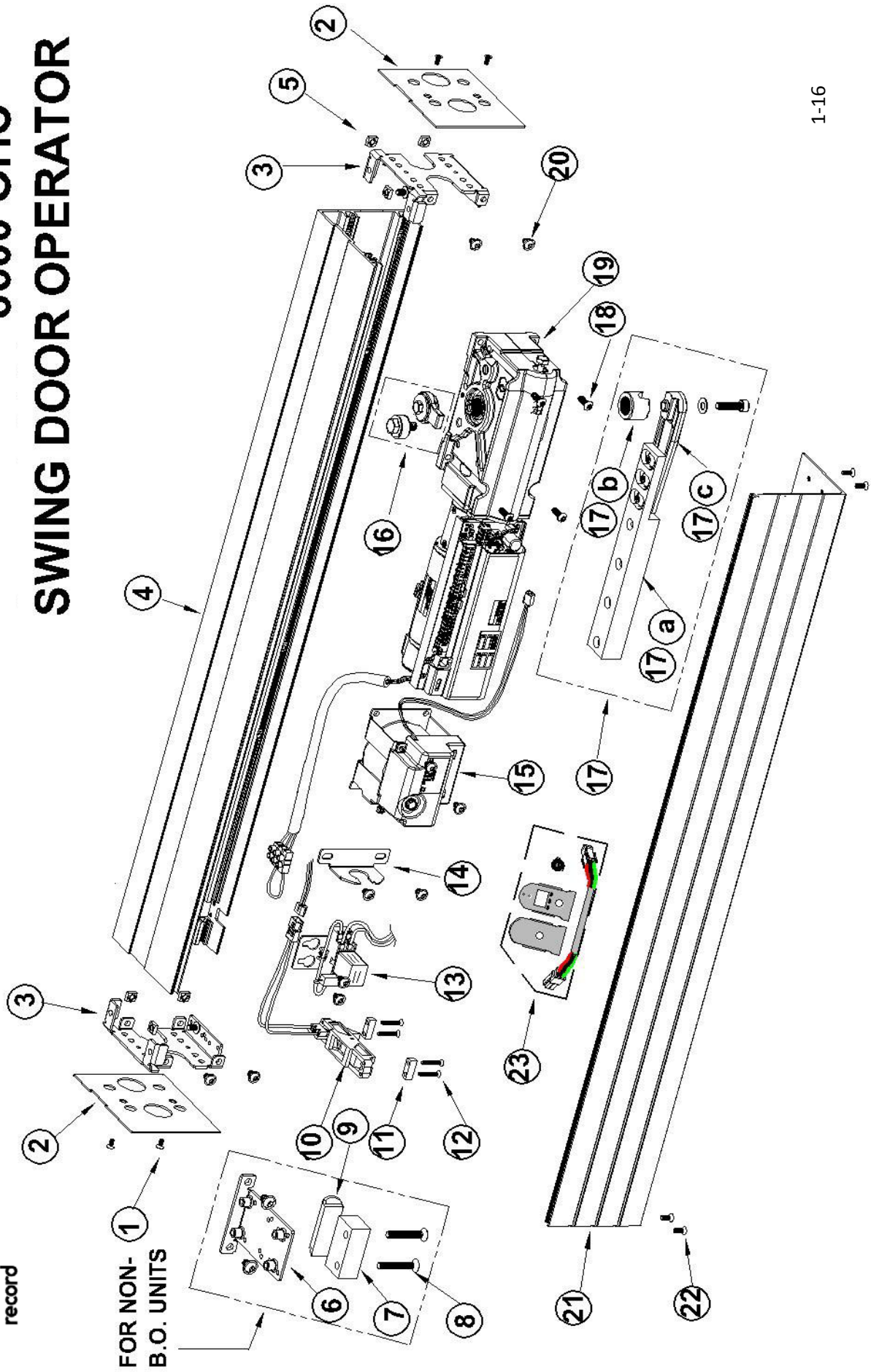
ITEM	PART NUMBER	DESCRIPTION	QTY.	LIST PRICE
1	9-99-2831	Threshold & Bottom Pivot (Surf. Appl.)	1	ea



ITEM	PART NUMBER	DESCRIPTION	QTY.	LIST PRICE
2	9-99-2832	Threshol & Bottom Pivot (Recessed in Flr.)	1	ea



# 8600 OHC SWING DOOR OPERATOR





# 8500/8600 OHC SWING DOOR OPERATOR PARTS LIST

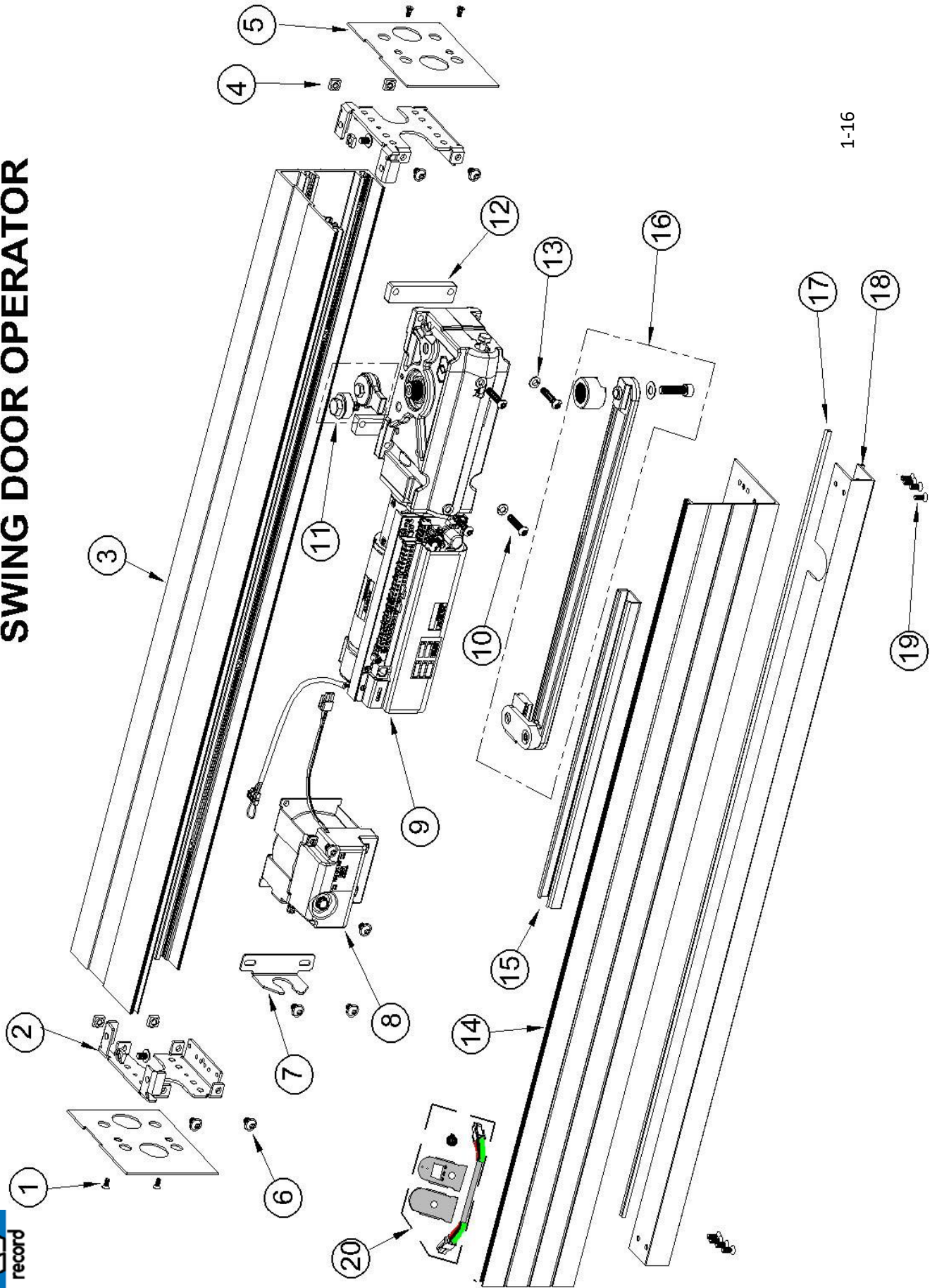
3-18

ITEM	PART NUMBER	DESCRIPTION	U of M
~	REPL-86-HEADER	8600 HEADER ASSY.	ea
~	REPL-86-ACCKIT	8600 ACCESSORY KIT	ea
~	REPL-86-PANEL	8600 DOOR PANEL	ea
~	REPL-86-JAMB	8600 JAMB ASSY.	ea
~	REPL-86-STILE	8600 DOOR STILE ASSY.	ea
	REPL-86-RAIL	8600 DOOR RAIL ASSY.	ea
1	81-0012-0404-DB	SCREW, 8-32X1/4" Ph,FH,UC,MS, BL OXIDE	N/A
2	4-85-1010	END CAP, HEADER, OHC	ea
2a	4-85-1011	END CAP, HEADER, (BLANK)	ea
3	4-85-1002	BRACKET, HEADER TO JAMB	ea
4	5-85-4003-CL	HEADER, OHC, CL-DB	ft
5	9-99-3507	NUT PLATE, 1/4-20	box
6	4-85-0022	BRACKET ASSY., DOOR CLOSED STOP	ea
7	4-85-4020	BLOCK, DOOR CLOSED STOP	ea
8	81-0011-0676	SCREW, 1/4-20X1 1/2" PhFHMS	N/A
9	9-99-2594	PAD, FOAM RUBBER	ea
10	9-73-0074	BREAKOUT STOP w/SWITCH	ea
11	4-85-9003	BLOCK, PANIC SWITCH MOUNTING	ea
12	81-4811-0420	SCREW, 8-16X1" PhFH PLASTITE	N/A
13	4-80-0101	RELAY ASSY., PANIC BREAKOUT	ea
14	4-51-1004	BRACKET, CONDUIT ANCHOR	ea
15	9-80-0102	POWER SUPPLY 6100/8100	ea
16	9-80-0103	KIT, HARD STOP	ea
17	4-85-0019	DRIVE ARM ASSY., OHC, <b>COMPLETE</b>	ea
17a	4-85-1007	DOOR ARM, OHC	ea
17b	9-80-0006	ARM ADAPTOR, 20MM (1/2")	ea
17c	4-85-1006	DRIVE ARM, OHC	ea
18	81-0014-2666	SCREW, 1/4-20X3/4" BHCS	N/A
19a	4-85-0101	DRIVE MODULE W/CONTROL, S8500, OHC	ea
19b	4-85-0102	DRIVE MODULE W/CONTROL, S8500, OHC, w/Brake	ea
20	81-0017-2658	SCREW, 1/4-20X3/8" BHCS	box
21	5-85-4004-CL	COVER, OHC, CL-DB	ft
22	81-0012-0562	SCREW, 10-32X1/2" PhFHMS	N/A
23	4-80-0811	KIT, HARNESS EXTENSION, FPC902	ea
~~		HEADER, MACHINING,CL-DB,SINGLE,OHC,(consult factory)	ea
~~		HEADER, MACHINING,CL-DB,DUAL,OHC,(consult factory)	ea
~~		COVER,MACHINING,CL-DB, SINGLE,OHC, (consult factory)	ea
~~		COVER,MACHINING,CL-DB, DUAL, OHC, (consult factory)	ea
~~		HEADER ASSY.,CL-DB, SINGLE,CP,OHC,(consult factory)	ea
~~		HEADER ASSY.,CL-DB, SINGLE,CP,w/BO,OHC,(consult factory)	ea
~~		HEADER ASSY.,CL-DB, DUAL,CP,OHC,(consult factory)	ea
~~		HEADER ASSY., CL-DB, DUAL,CP,w/BO,OHC,(consult factory)	ea
~~	4-85-0803	KIT, FIXED STOP, 8500/8600 OHC	ea
~~	4-85-0804	KIT, BREAKOUT/ PANIC STOP, 8500/8600 OHC	ea
~~	4-85-0805	KIT, HEADER ACCESSORIES, 8600/8700 OHC/BUTT HUNG	ea
~~	9-80-0113	MOTOR PCB with BREAKOUT	ea
~~	4-85-9001	1" FINGERGUARD, 8' S/L	ea
~	9-99-2831	Threshold & Bottom Pivot, Surface Applied, <b>(Optional)</b>	ea
~	9-99-2832	Threshold & Bottom Pivot, Recessed in Floor, <b>(Optional)</b>	ea
~~	4-49-4002-BL	PUSH BAR, MACHINING CL-BL	ea
~~	4-86-0801-BL	KIT, PUSH BAR CL-BL	ea
~~	4-51-4149-CL	CART BAR, MACHINING	ea
~~	2-51-0001-CL	SCREW PACK, CART/PUSH BARS	ea
~~	9-90-0000	PIVOT ASSY, BOTTOM, OHC	ea

**NOTE: When Consulting Factory for Header or Cover, B.O. or Non/B.O. must be known.**



# 8700 BUTT-HUNG SWING DOOR OPERATOR



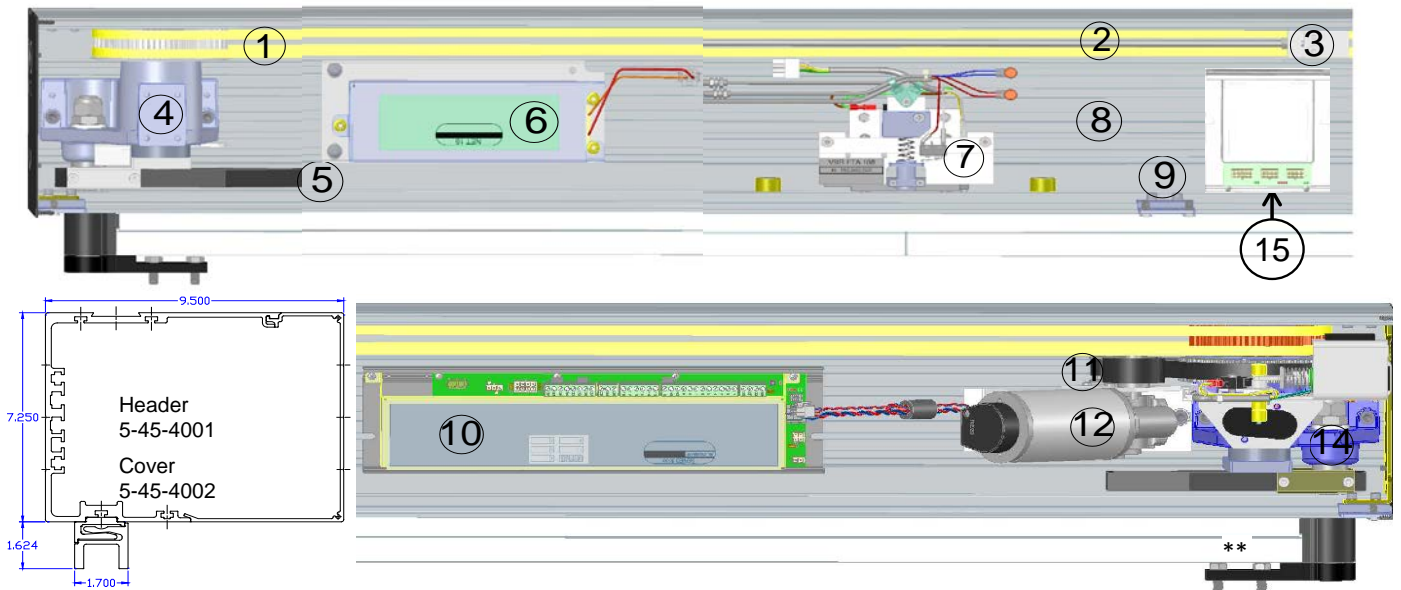
1-16



# 8700 BUTT-HUNG SWING DOOR OPERATOR PARTS LIST

3-18

ITEM	PART NUMBER	DESCRIPTION	U of M
~	REPL-87-HEADER	8700 HEADER ASSY.	ea
~	REPL-87-ACCKIT	8700 ACCESSORY KIT	ea
~	REPL-87-PANEL	8700 DOOR PANEL	ea
~	REPL-87-JAMB	8700 JAMB ASSY.	ea
~	REPL-87-RAIL	8700 DOOR RAIL ASSY.	ea
~	REPL-87-STILE	8700 DOOR STILE ASSY.	ea
1	81-0012-0404-DB	SCREW, 8-32X1/4" Ph,FH,UC,MS	N/A
2	4-85-1002	BRACKET, HEADER TO JAMB	ea
3	5-85-4003-CL	HEADER, OHC, CL-DB	ft
4	9-99-3507	NUT PLATE, 1/4-20	box
5	4-85-1010	END CAP, HEADER, OHC	ea
6	81-0017-2658	SCREW, 1/4-20X3/8" BHCS	box
7	4-51-1004	BRACKET, CONDUIT ANCHOR	ea
8	9-80-0102	POWER SUPPLY	ea
9a	4-85-0101	DRIVE MODULE W/CONTROL, S8500, OHC	ea
9b	4-85-0102	DRIVE MODULE W/CONTROL, S8500, OHC, w/Brake	ea
10	81-0014-2674	SCREW, 1/4-20X1 1/4", BHCS	N/A
11	9-80-0103	KIT, HARD STOP	ea
12	4-85-4021	SPACER, OPERATOR BODY	ea
13	9-99-7182	WASHER, LOCK, 1/4"	N/A
14	5-85-4004-CL	COVER, OHC, CL-DB	ft
15	4-51-1089	SLIDE TRACK, SIDELITE/CLOSER	ea
16a	4-85-0021	SLIDE ARM ASSY.,OHC BUTT HINGE, LHR/RH	ea
16b	4-85-0020	SLIDE ARM ASSY.,OHC BUTT HINGE, RHR/LH	ea
16c	4-85-1008	EXTENSION, SLIDE ARM, BUTT HUNG	ea
17	9-99-7318-DB	WEATHERPILE, DOOR CATCH, DB	ea
18a	4-85-4022-CL	COVER, SLIDE ARM ASSY., CL-DB ,LHR/RH	ea
18b	4-85-4023-CL	COVER, SLIDE ARM ASSY., CL-DB ,RHR/LH	ea
18c	4-85-4024-CL	COVER, SLIDE ARM ASSY., CL-DB, DUAL UNITS	ea
19	81-0012-0562	SCREW, 10-32X1/2" PhFHMS	N/A
~	4-24-9003	SLIDE BLOCK, ARM ASSY.	ea
20	4-80-0811	KIT, HARNESS EXTENSION, FPC902	ea
~		HEADER, MACHINING, CL-DB, SINGLE,OHC, BH (consult factory)	ea
~		HEADER,MACHINING, CL-DB, DUAL, OHC, BH (consult factory)	ea
~		COVER, MACHINING CL-DB, SINGLE, OHC, BH (consult factory)	ea
~		COVER, MACHINING CL-DB, DUAL, OHC, BH (consult factory)	ea
~		HEADER ASSY, CL-DB SINGLE, OHC, BH (consult factory)	ea
~		HEADER ASSY, CL-DB, DUAL, OHC, BH (consult factory)	ea
~	4-85-0805	KIT, HEADER ACCESSORIES, 8500/8700 OHC/ Butt Hung	ea
		<b>NOTE: BH = Butt Hung</b>	ea
~	4-85-1015	ADAPTOR, OHC CLOSER, TRACK ARM, 8700 MANUAL DOOR	ea
~	9-99-2801-CL	Hinge, Geared, Continuous, 83 1/8" CL-DB	ea
~	9-99-2802-CL	Hinge, Geared, Continuous, 95 1/8" CL-DB	ea
~~	4-49-4002-BL	PUSH BAR, MACHINING CL-BL	ea
~~	4-86-0801-BL	KIT, PUSH BAR CL-BL	ea
~~	4-51-4149-CL	CART BAR, MACHINING	ea
~~	9-99-3980	PLUG, HOLE, PLASTIC, BLACK, 1/2" DIA.	ea

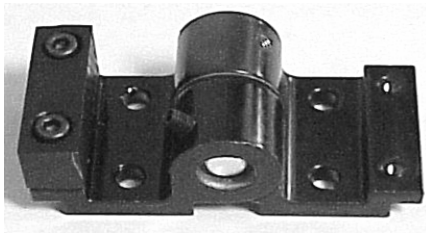
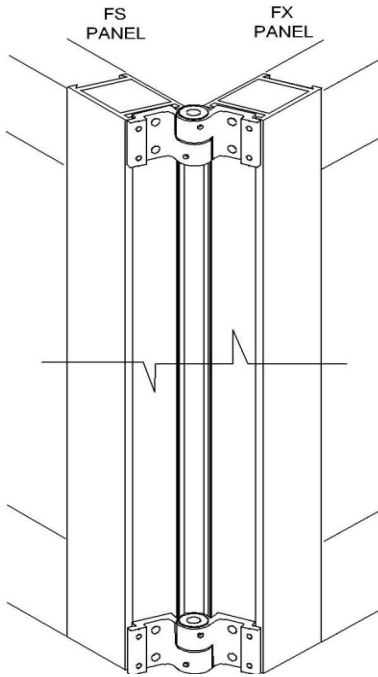


ITEM	PART NUMBER	DESCRIPTION	U of M
~	REPL-45-HEADER	4500 HEADER ASSY.	ea
~	REPL-45-ACCKIT	4500 ACCESSORY KIT	ea
~	REPL-45-JAMB	4500 JAMB ASSY.	ea
1	9-09-0015	BELT, MAIN DRIVE	ft.
2a	9-45-0011	TIE ROD, BELT CLAMP, SHORT 14"	ea
2b	9-45-0013	TIE ROD, BELT CLAMP, LONG 23.25"	ea
3a	9-45-0010	BELT CLAMP, RIGHT	ea
3b	9-45-0012	BELT CLAMP, LEFT	ea
4	9-45-0101	DRIVE PEDESTAL, SLAVE	ea
5	9-45-0103	INNER ARM ASSY.	ea
6	4-51-0142	POWER SUPPLY ASSY., NET20	ea
6a	102-019808221	TRANSFORMER,110V PRIMARY, 35-38 SEC.	ea
7	9-45-0106	* ELECTRIC LOCK, ANTI-BREAKOUT	ea
7a	4-45-1009	SPACER, ELECTRIC LOCK	ea
8	5-45-4001-CL	HEADER , FOLDER, CL-DB See Above	ft.
	5-45-4002-CL	COVER, FOLDER,CL-DB See Above	ft.
	4-45-1001	BRACKET, HEADER TO JAMB	ea
	4-45-1002	END CAP, HEADER	ea
9	4-45-1003	BRACKET, COVER ATTACHMENT	ea
10	9-99-1325	CONTROL, STG 20	ea
10a	9-99-1326	ZLP-ELS, SAFETY BEAM PCB, SYSTEM 20	ea
11	9-09-0016	BELT, S4500 MOTORDRIVE ASSY.	ea
12	9-45-0110	MOTORDRIVE ASSY., ATE FTA 20	ea
14	9-45-0102	DRIVE PEDESTAL, MASTER	ea
15	9-45-0109	* SEQUENCER, ELECTRIC LOCKS, SYSTEM 20	ea
~	4-45-0805	KIT, ELECTRIC LOCK, ANTI-FOLD	ea
~	4-45-0809	KIT, ELECTRIC LOCKS, FOLD & BREAKOUT	ea
~	9-73-0080	PANIC SWITCH, MAGNETIC	ea
~	9-73-0079	MAGNET, PANIC SWITCH	ea
~	9-45-0107	KIT, DOOR OPEN STOP, IN HEADER	ea
~	4-51-0812	KIT, UNINTERRUPTABLE POWER SUPPLY	ea
~	4-45-9003	BUMPER, DOOR OPEN STOP	ea
*	9-99-1823	BREAKOUT ARM BOLTS, M8X1.25X16 HHCS,8.8 ZINC	ea
**	9-99-1824	PEDESTAL ARM BOLTS, M8X1.25X20 HHCS,8.8 ZINC	ea
~	4-45-0808	KIT, PANEL LOCK, SERIES 4500 FOLDING DOOR	ea
~	4-45-0100	IN PANEL, FOLD LOCK ASSY.	ea
~	202-102117704	WRENCH, SPANNER, 17MM	ea
~	102-020808482	MODULE, EXPANSION FEM0	ea

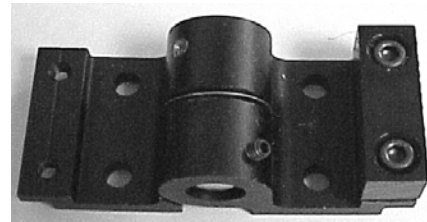
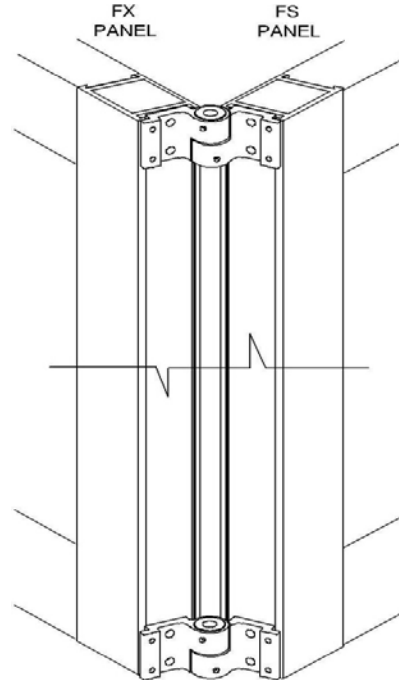


# 4500 SLIDE/FOLD HINGE PIVOT ASSEMBLYS

1-16



**CONFIGURATION "A"**

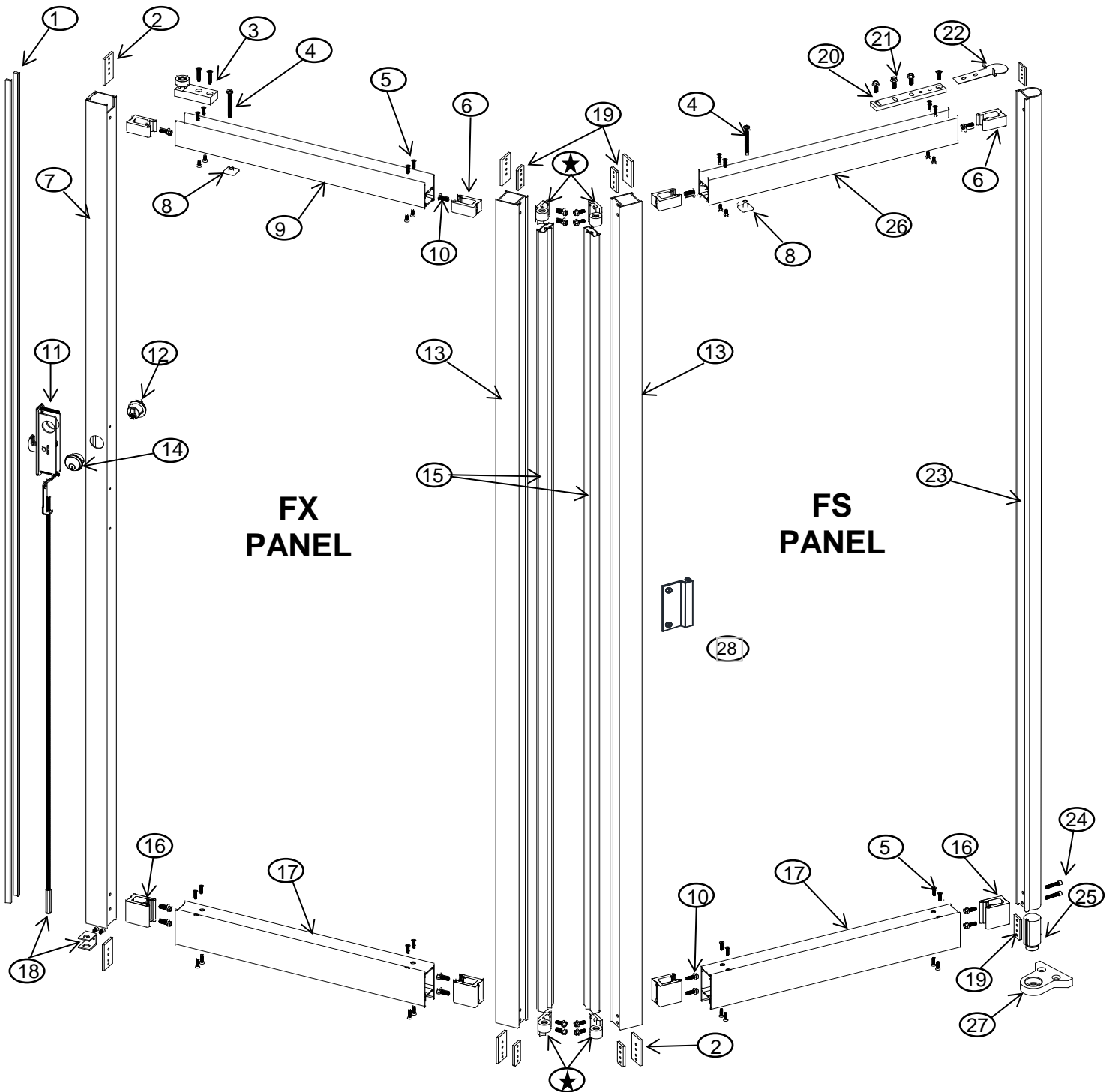


**CONFIGURATION "B"**

ITEM	PART NUMBER	DESCRIPTION	U of M
1	4-45-0022-BL	<b>FOLDER HINGE PIVOT ASSY.</b>	ea
		<b>CONFIGURATION "A"</b>	
		DUAL OUTFOLD - LH LEAF	
		DUAL INFOLD - RH LEAF	
2	4-45-0023-BL	<b>FOLDER HINGE PIVOT ASSY.</b>	ea
		<b>CONFIGURATION "B"</b>	
		DUAL OUTFOLD - RH LEAF	
		DUAL INFOLD - LH LEAF	



# 4500 SLIDE / FOLD FX/FS DOOR PANELS

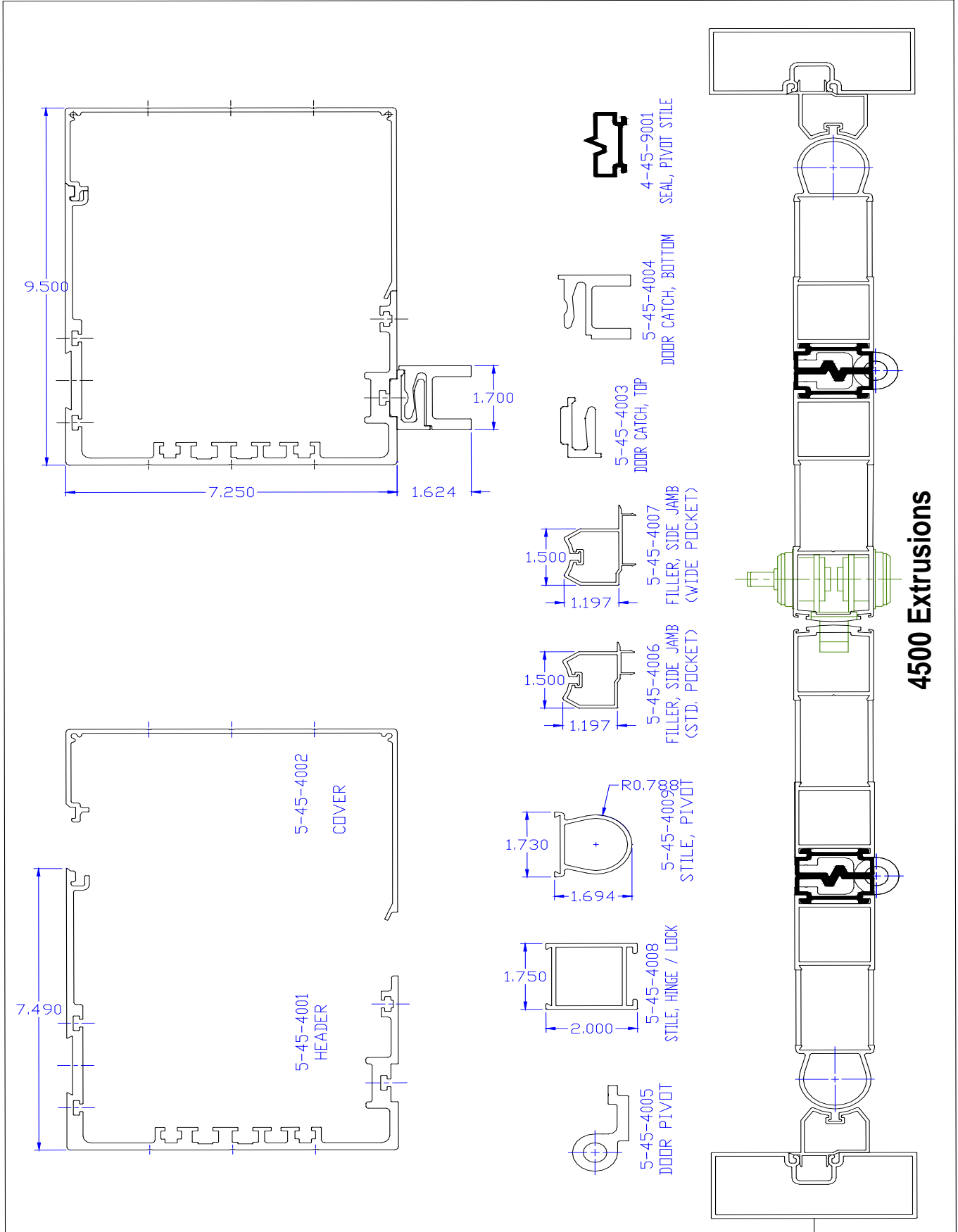




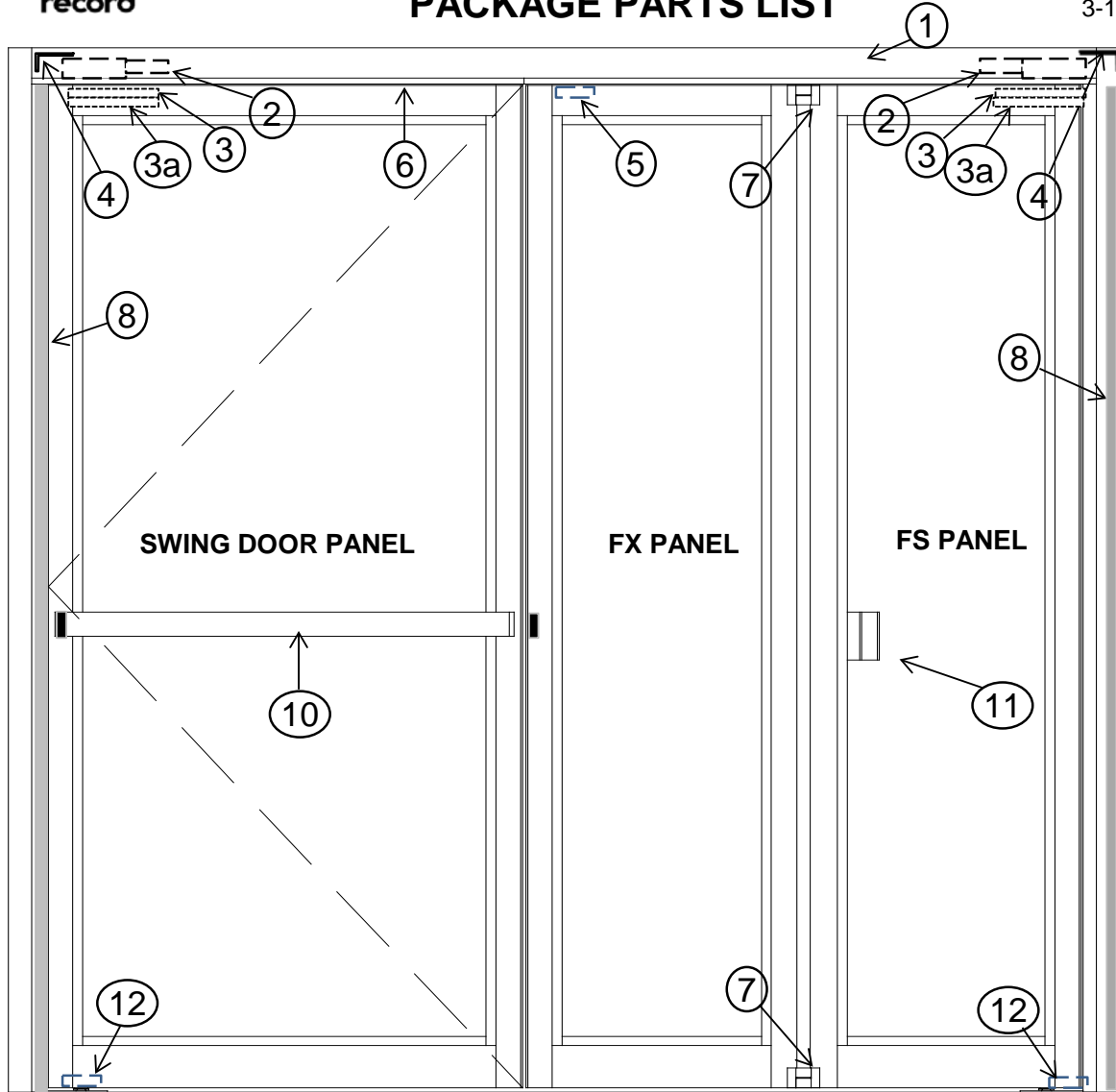
## 4500 SLIDE/FOLD DOOR PANEL PRICE LIST

3-18

<b>FX PANEL</b>			
ITEM	PART NUMBER	DESCRIPTION	U of M
~~	<b>REPL-45-PANEL</b>	<b>FX PANEL ASSY.</b>	<b>ea</b>
~	<b>REPL-45-STILE</b>	<b>4500 DOOR STILE ASSY.</b>	<b>ea</b>
~	<b>REPL-45-RAIL</b>	<b>4500 DOOR SRAIL ASSY.</b>	<b>ea</b>
1	9-99-7316	Weatherpile, 0.270"W X 0.450", BL	ft
2	4-11-1082	Plate, Backer	ea
3	4-45-0016	Guide Roller Assy., Top	ea
4	81-0014-0680	Screw, 1/4-20x2" PPH	N/A
5	81-4411-0516	Screw, 10-24x3/4"PFH	box
6	4-11-4096	Block, Shear, 2 1/2", SB1	ea
7	5-11-4021-CL	Stile, Tandem, Narrow, CL-DB	ft
8	6-51-9006	Block, Glass Jacking	ea
9	5-11-4032-CL	Rail, 2 1/2" , CL-DB	ft
10	81-0017-3666	Screw,1/4-20x3/4" HWHMS Gr8	box
11	9-99-0071-CL	Deadlock, Hookbolt, 1 1/8 Backset	ea
12	9-99-0069-CL	Cylinder,Thumbturn,CL-DB	ea
13	5-45-4008-CL	Stile, Hinge, CL-DB	ft
14	9-99-0064-CL	Cylinder,Key, KA-50 PAIR, CL-DB	ea
15	4-45-9001	Seal, Hinge Stile	ft
16	4-11-4097	Block, Shear,3-31/2" SB2	ea
17	4-51-4190-CL	Rail, Bottom, FX & FS Panel, machining	ea
18	9-99-0074	Threshold Bolt	ea
19	4-45-1004	Plate, Backer, Pivot Stile & Hinge Pivots	ea
★	<b>See Page 36 for Hinge Pivot Info</b>		
<b>FS PANEL</b>			
~~	<b>REPL-45-PANEL</b>	<b>FS PANEL ASSY.</b>	<b>ea</b>
20	4-45-4012	Spacer, Top Pivot Arm	ea
21	81-0017-3666	Screw,1/4-20x3/4" HWHMS Gr8	box
22	4-45-1006	Cap, Pivot Stile	ea
23	5-45-4009-CL	Stile, Pivot, CL-DB, (FS Panel)	ft
24	81-0016-2674	Screw, 1/4-20x1 1/4"	N/A
25	4-45-0015	Bottom Pivot Assy.	ea
25a	9-99-0150	Bearing, Spherical	ea
26	5-11-4032-CL	Rail, 2 1/2", CL-DB	ea
27	4-45-4011-BL	Base, Pivot Bearing, Floor Portion	ea
28	4-40-0310-CL	Pull Handle Assy., CL-DB	ea
~	9-61-0035	Spacer, Optex Reaction Sensor	ea



## 4500 Extrusions



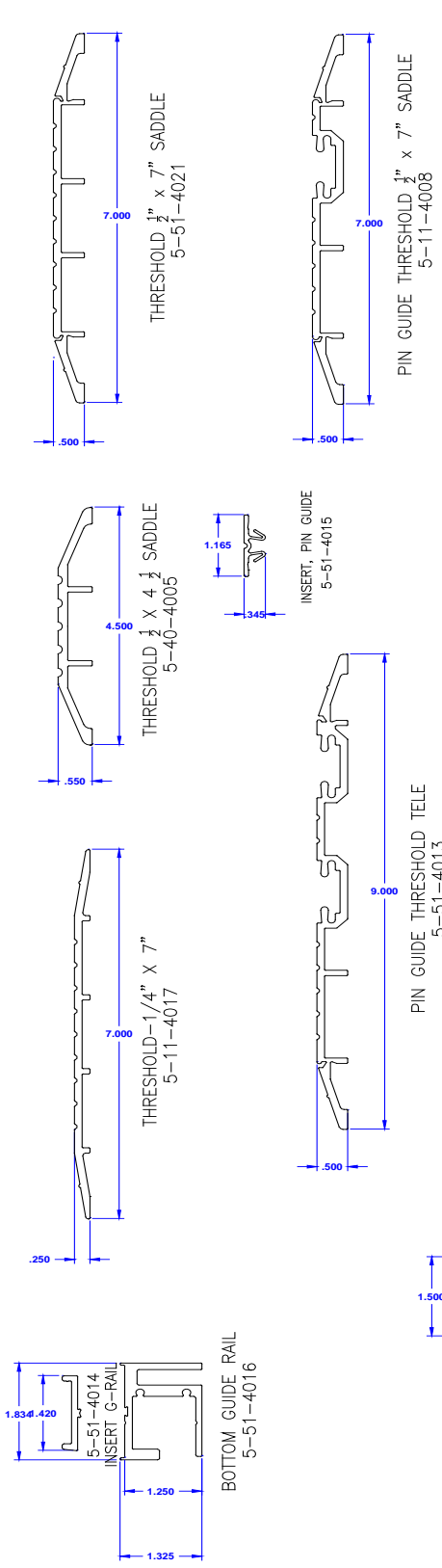
ITEM	PART NUMBER	DESCRIPTION	U of M
~	REPL-49-HEADER	4900 HEADER ASSY.	ea
~	REPL-49-ACCKIT	4900 ACCESSORY KIT	ea
~	REPL-49-PANEL	4900 DOOR PANEL	ea
~	REPL-49-JAMB	4900 JAMB ASSY.	ea
~	REPL-49-STILE	4900 DOOR STILE ASSY.	ea
~	REPL-49-RAIL	4900 DOOR RAIL ASSY.	ea
1	5-49-4001-CL	HEADER, 4900 ICU, CL-DB	ft
2	9-99-2829	DOOR CLOSER, MANUAL, OHC	ea
3	4-49-1002	ARM, DRIVE, 4900 ICU	ea
3a	4-40-4099	SPACER, ARM	ea
4	4-49-1001	BRACKET, HEADER MOUNTING	ea
5	4-45-0016	GUIDE ROLLER ASSY.,TOP	ea
6	5-49-4002-CL	HEADER TRACK, 4900 ICU, CL-DB	ft
7	4-45-XXXX	*REFER TO PAGE 38*	ea
8	4-85-9001	FINGERSHIELD, 8FT S/L	ea
10	4-49-4002-BL	PUSH BAR, MACHINING	ea
10a	4-86-0801-BL	KIT, PUSH BAR, CL-BL	ea
11	4-40-0310-CL	PULL HANDLE ASSY. CL-DB	ea
12	9-90-0000	PIVOT ASSY., BOTTOM, OHC	ea



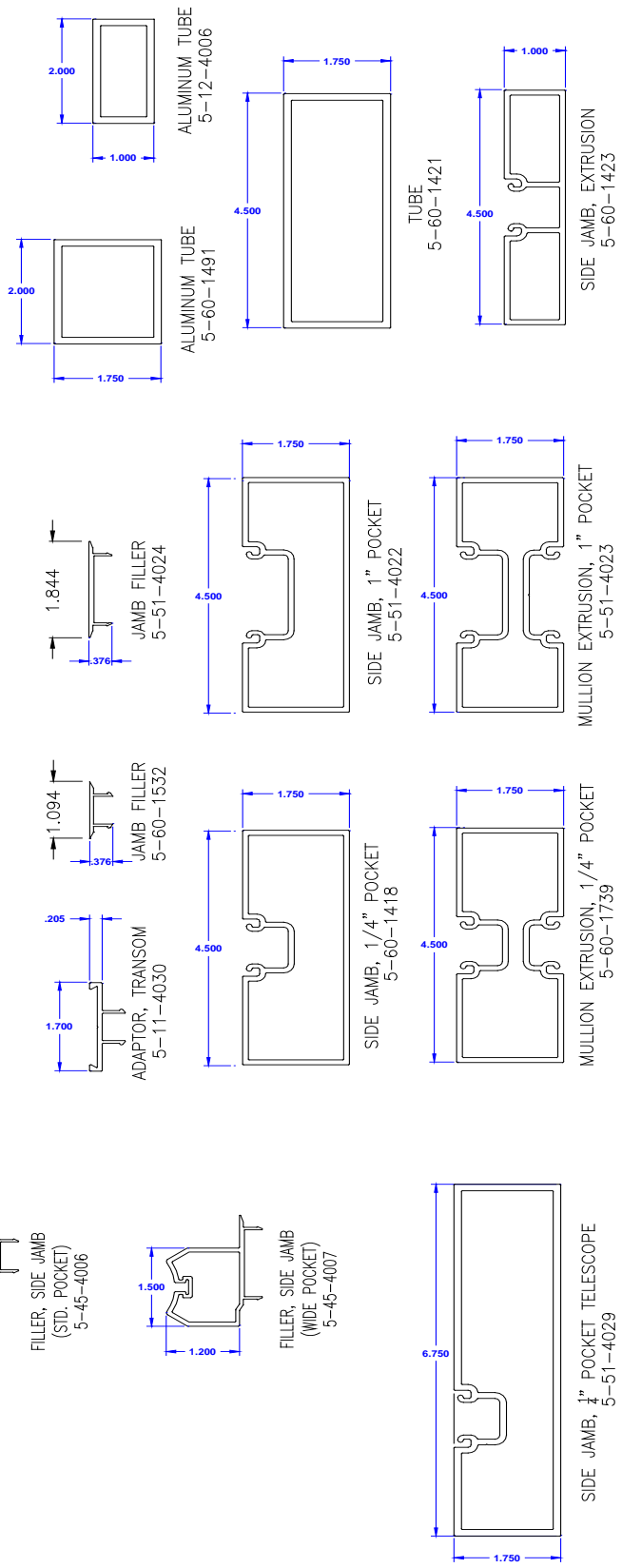


# FRAME & BOTTOM GUIDE EXTRUSIONS

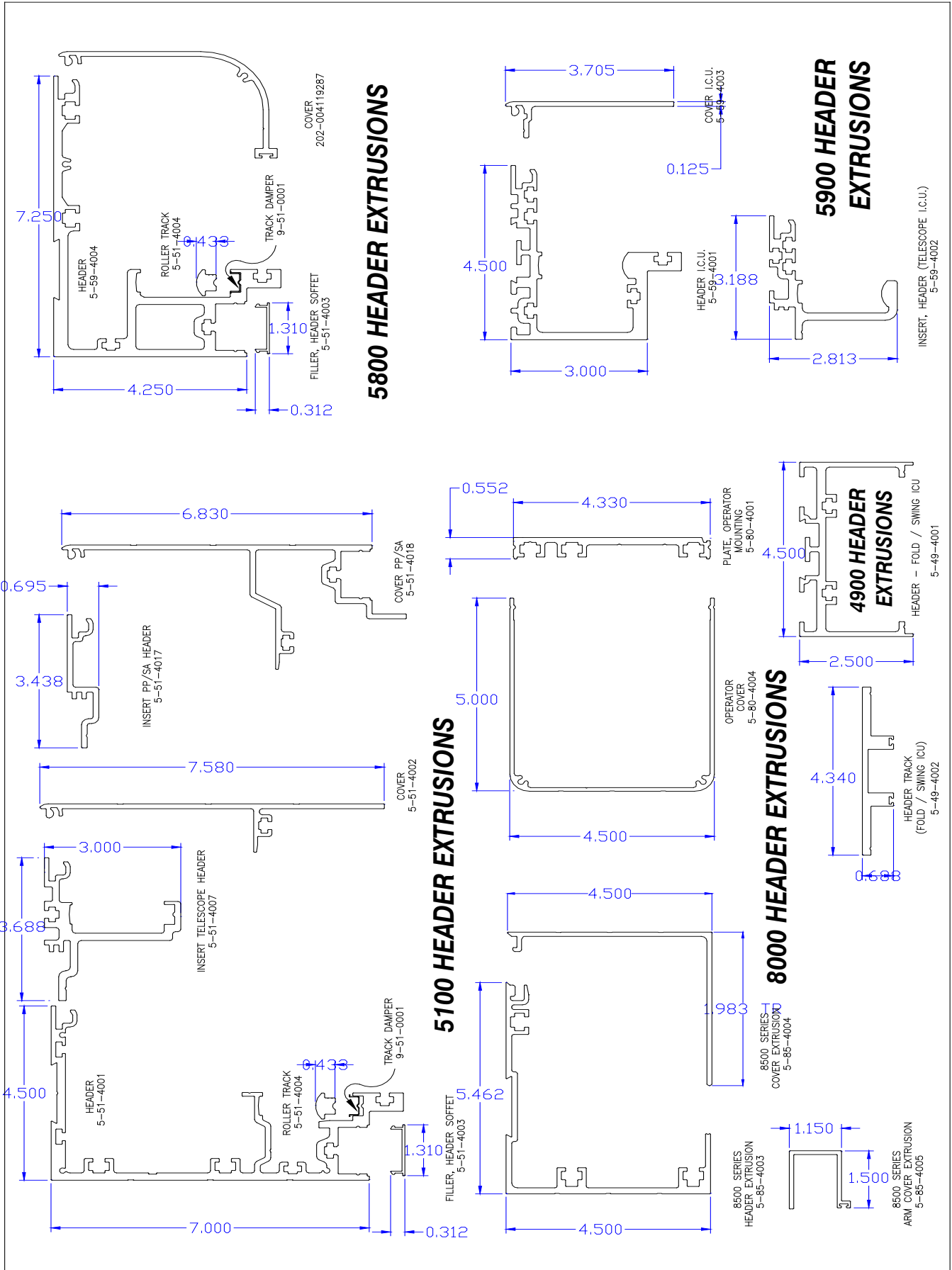
1-16



## BOTTOM GUIDE & THRESHOLDS



## SIDE JAMBS & TRANSOM COMPONENTS





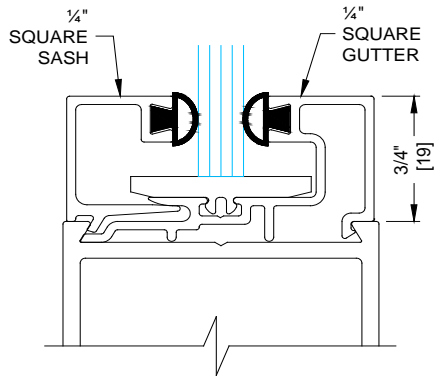


# GLASS RETENTION KITS

## SASH, GUTTER & GLAZING INSERT COMBINATIONS

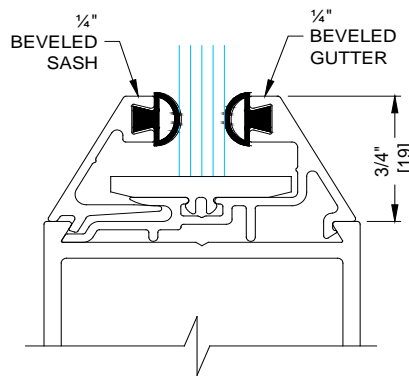
### FOR VARIOUS GLAZING THICKNESSES

1-16



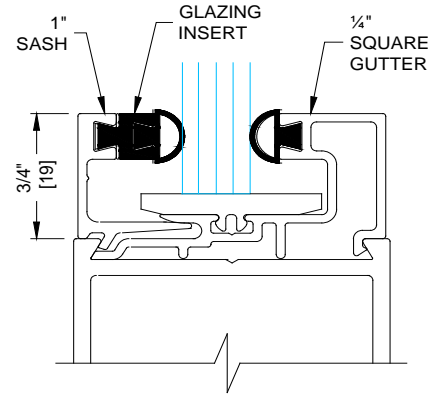
1/4" [6] GLAZING  
(STANDARD)

**4-06-0010**



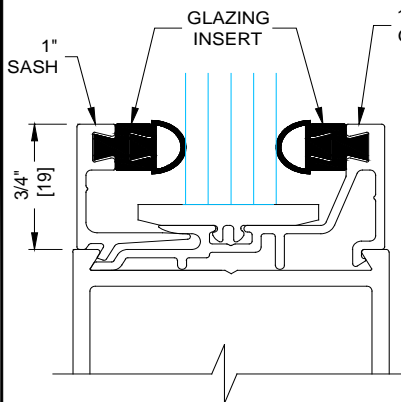
OPTIONAL 1/4" [6] BEVELED  
SASH & GUTTER  
(HORIZONTALS ONLY)

**4-06-0011**

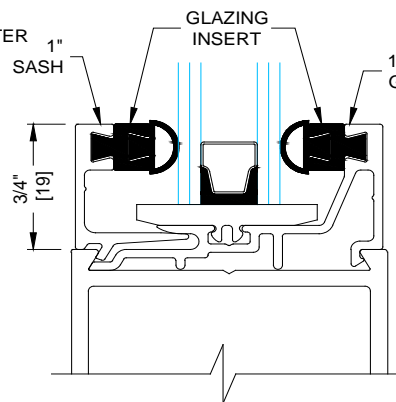


3/8" [9,5] GLAZING

**4-06-0012**

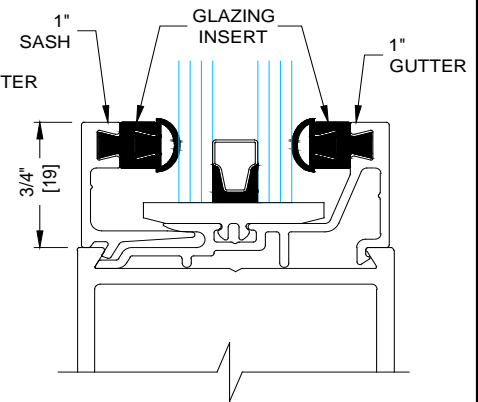


1/2" [13] GLAZING

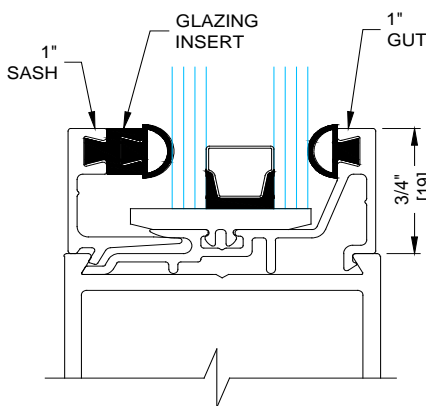


9/16" [14] GLAZING

**4-06-0013**

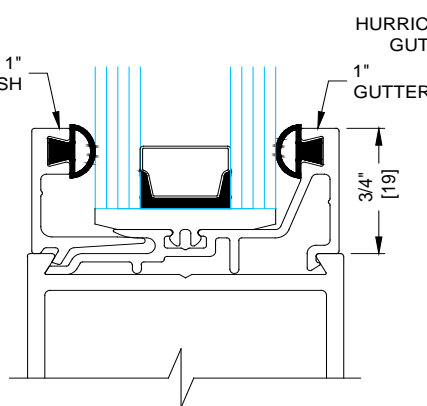


5/8" [16] GLAZING



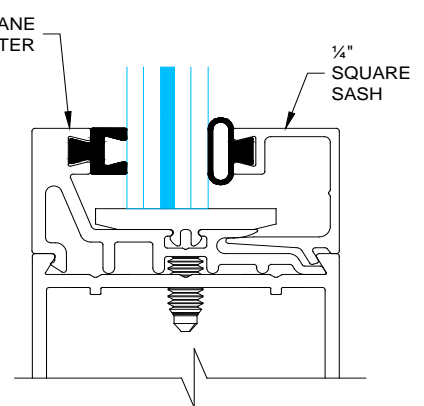
3/4" [19] GLAZING

**4-06-0014**



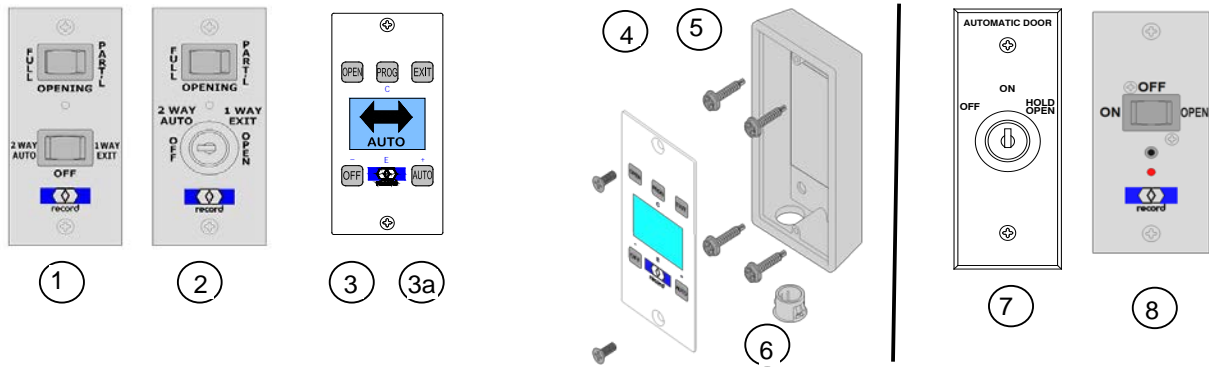
1" [25] GLAZING

**4-06-0015**



HURRICANE IMPACT GLAZING

**4-54-0010**



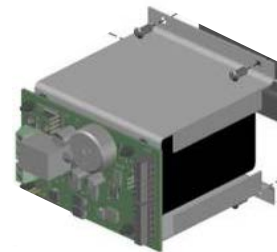
ITEM	PART NUMBER	DESCRIPTION	U of M
1	4-51-0105	CONTROL MODULE, DUAL ROCKER SWITCH	ea
2	4-51-0106	CONTROL MODULE, ROCKER/KEYSWITCH	ea
3	9-99-1321	CONTROL MODULE, DISPLAY, no Cable - no Plug	ea
3a	4-51-0107	CONTROL MODULE, DISPLAY, w/Cable - no Plug	ea
4	6-51-9007	ENCLOSURE, (molded), DISPLAY MODULE	ea
5	4-51-0817	KIT, ENCLOSURE, (molded),DISPLAY CONTROL PANEL	ea
6	4-51-0818	CONTROL MODULE DISPLAY, ENCLOSURE (molded), w/CABLE, w/PLUG	ea
7	4-80-0809	KIT, KEYSWITCH,ON/OFF/HO,DUAL,JAMB MOUNTED	ea
8	4-85-0806	KIT, ON/OFF/OPEN ROCKER SWITCH, JAMB MOUNTED	ea
~	4-80-9001	NON-METALLIC ENCLOSURE, (black, machined)	ea
~~	9-99-3036	KEY, BDE-A KEYSWITCH	ea
~~	4-99-0800	MINI STATION CONTROL, PUSH BUTTON	ea
~~	102-020808406	CABLE, CANBUS, RIC290, 8'2"	ea
~~	4-51-9012	CABLE, CANBUS, EXTENED, 12'	ea
~~	202-003121745	CONNECTOR, CAN END PLUG	ea
~~	9-87-0112	CABLE, 8 CONDUCTOR, 20AWG	ft
~~	9-87-0115	CABLE, 22AWG, 2 PAIR TWISTED	ft



1a



1b) 8 3/4"W x 3 1/4"H x 2 1/4"D



2a

1	4-51-0812	<b>KIT - Uninterruptable Power Supply (UPS) Sys19&amp;20</b>	ea
		<b>INCLUDES</b>	
1a	9-51-0016	PCB, Supplementary	ea
1b	9-51-0017	LEAD ACID BATTERY	ea
		FUSE,5x20mm T4AH 250V	
2	102-127812723	Battery Pack, DFA127, in casing	ea
2a	102-127812724	Kit, Battery Pack, DFA127 (shown)	ea
~	4-51-0821	TERMINAL BAR ASSY., ALARM CONTACT	ea
~	4-51-0824	KIT, ALARM CONTACTS, DOOR OPEN/CLOSE	ea
~	4-51-0823	KIT, ALARM CONTACTS, "O" PANEL BREAKOUT	ea
~	4-51-0822	KIT, ALARM CONTACTS, "SO" PANEL BREAKOUT	ea
~	4-51-4290	BRACKET, BELT MOUNTED MAGNET	ea



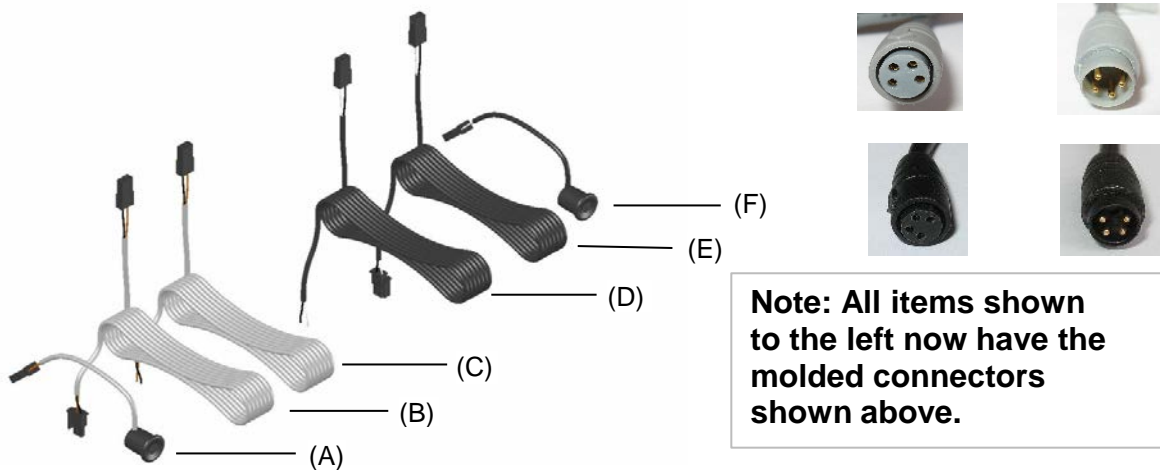
# SENSORS & ACCESSORIES

9-18

ITEM	PART NUMBER	DESCRIPTION	U of M
<b>record</b>			
1	9-61-0038	*RIC290 Motion/Presence, CANbus, Sliding Door	ea
2	102-290808880	WEATHERSHIELD, RIC290, Alu anodized	ea
3	102-401392	*RC SWING,MS1200 BL, On Door Presence,CANbus, Swing Door	ea
4	202-003121225	EXTENDED MODULE, FEM1	ea
<b>BEA</b>			
1	9-61-0011	EAGLE Motion Detector, Swing/Fold Door	ea
2	9-61-0014	SPACER, BEA Eagle Sensor	ea
3	9-61-0016	*BODYGUARD T Active I/R Presence, Swing/Fold Door	ea
4	9-61-0015	*SUPERSCAN II T On Door Presence, 2 Modules	ea
5	9-61-0018	*IXIO DT1 Motion/Presence, Sliding Door	ea
6	9-61-0040	*LZR MICROSCAN T On Door Presence, Single Swing Door	ea
7	9-61-0041	*LZR MICROSCAN T On Door Presence, Dual Swing Door	ea
8	202-005123256	*LZR FLATSCAN SW On Door Presence,Kit,Swing Door	ea
9	9-61-0042	TOUCHLESS SENSOR, Activation	ea
10	9-61-0043	TOUCHLESS SWITCH, Activation	ea
11	202-005118905	TOUCHLESS ACTIVATION, "Wave to Open", Single	ea
12	202-005118906	TOUCHLESS ACTIVATION, "Wave to Open", Double	ea
13	202-005118907	TOUCHLESS ACTIVATION, MS08, Double	ea.
14	202-005118908	TOUCHLESS ACTIVATION, MS08, Single	ea
15	9-61-0044	PUSH PLATE, Low Profile, 36" long	ea
16	9-61-0045	PUSH PLATE, 4 1/2"x 4 1/2" SS, HC "Push to Open"	ea
17	9-73-0088	PUSH PLATE, Simple Swing	ea
18	202-005118914	PUSH PLATE, Jamb, SS, HC, "Push to Open"	ea
19	202-005118913	ACTIVATION PACKAGE, PP2 Package (Radio)	ea
20	202-005118899	BOLLARD MOUNTING POST, Silver	ea
21	202-005118900	BOLLARD MOUNTING POST, Black	ea
22	202-005118901	BOLLARD MOUNTING POST, Bronze	ea
23	202-005118910	BOX, SURFACE MOUNT, for 4.5 X 4.5 Push Plates	ea
24	202-005118912	BOX, SURFACE MOUNT, for 1.5 X 4.75 Push Plates	ea
<b>OPTEX</b>			
1	9-61-0021	*PRO-SWING ELITE T On Door Presence, Swing Door	ea
2	9-61-0037	*PRO-SWING PREMIER T, Presence, Swing/Fold	ea
3	9-61-0036	*X-ZONE T Motion/Presence, Sliding Door	ea
4	9-61-0028	REACTION II Motion Detector, Swing/Fold	ea
5	9-61-0035	SPACER, Optex Reaction	ea
<b>* Monitored Sensor</b>			



ITEM	PART NUMBER	DESCRIPTION	U of M
1	9-99-1317	FPC902 - FLASHPROGRAMMER	ea
2	9-59-0001	AC ADAPTOR BATTERY CHARGER, FPC902	ea
~	9-99-1320	SD CARD, FPC902	ea



1	4-51-0819	Safety Beam Set, 5100, Molded Conn. 1ea.-9-61-0051 2ea.-9-61-0052	ea
2	9-61-0051	Kit, Safety Beam Wire Assy., Molded Conn. Header 2ea.(C) ; 2ea.(D)	ea
3	9-61-0052	Kit, Beam Head w/Wire Assy., Molded 1-Emitter - (F) & Harness - (E) 1-Receiver - (A) & Harness - (B)	ea
~	9-61-0029	Holder, Surface Mount, Set (Optex)	ea
~	9-61-0022	Kit, Beam Set, Panic Breakout (Optex)	ea
~	9-61-0031	Module, Control (Optex OS-12C)	ea



# DECALS and DECAL SETS

3-18



8-91-3016  
5100



8-91-3017  
5100



8-91-3006  
5100



8-91-3013  
AAADM  
SLIDING  
SAFETY



8-92-3017  
AAADM  
SAFETY  
FOLDING  
DOOR



8-91-3014  
LABEL, TRACKLESS  
ICU OPERATION



8-92-3031  
6100/8100  
4500/8600  
KNOWING ACT



8-92-3032  
6100/8100  
4500/8600



8-92-3033  
6100/8100  
4500/8600



8-92-3017  
AAADM SAFETY  
AUTOMATIC  
SWINGING



8-92-3030  
AAADM SAFETY  
LOW ENERGY  
SWINGING

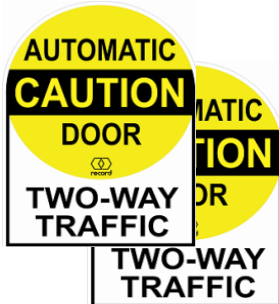


8-91-3026 DECAL, ICU  
POSITIVE LATCH  
EMERGENCY RELEASE

THIS/THESE DOORS TO REMAIN UNLOCKED WHEN THE BUILDING IS OCCUPIED

8-91-3023  
← DECAL

## DOUBLE SIDED DECALS



8-92-3039



8-92-3038



8-92-3040  
KNOWING ACT



8-92-3041  
DECAL, 1 SIDE  
CAUTION DOOR  
W/ 2 WAY TRAFFIC



8-92-3043



8-92-3044



8-92-3037



8-91-3018  
record LOGO  
DECAL

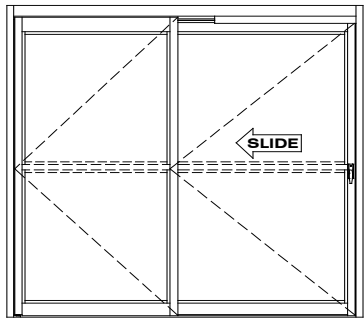
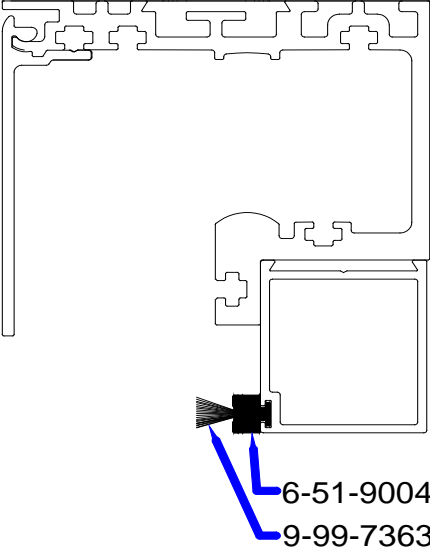
ITEM	PART NUMBER	SETS / DESCRIPTION	U of M
1	8-91-3012	SLIDING DOOR, SINGLE	ea
2	8-91-3011	SLIDING DOOR, BIPART	ea
3	8-92-3034	8000, FULL POWER	ea
4	8-92-3035	8000, LOW ENERGY	ea
5	8-93-3003	FOLDING DOORS	ea
7	8-92-3026	ELECTROMECHANICAL, LOW ENERGY	ea



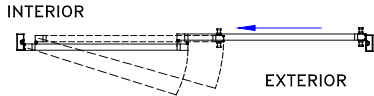
**record-usa**  
 4324 PHIL HARGETT  
 MONROE, NC 28110  
 (704) 289 - 9212

# Series 5900 FBO Clean Room Seals

Nov2018



**ELEVATION VIEW**  
 SCALE: 1/4" = 1'0"



**PLAN VIEW**  
 SCALE: 1/4" = 1'0"

9-99-2594 (2')  
 End of Catch above  
 5-11-4021 Stile

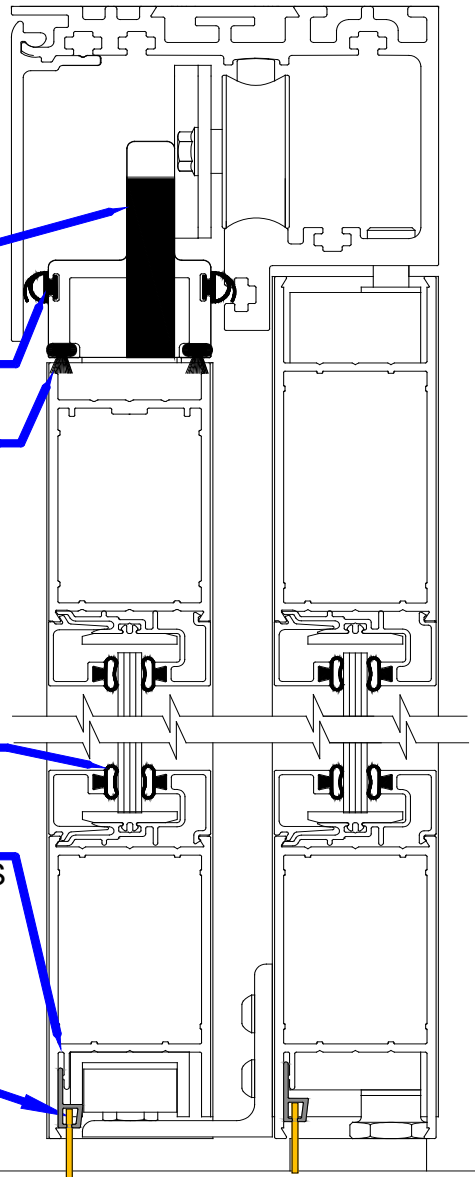
6-11-9009 (Typ.)

9-99-7318 (Typ.)

6-11-9011(Typ.)

Note: W/S retainer is on  
 side opposite vertical W/S

9-99-7347  
 4-51-9010

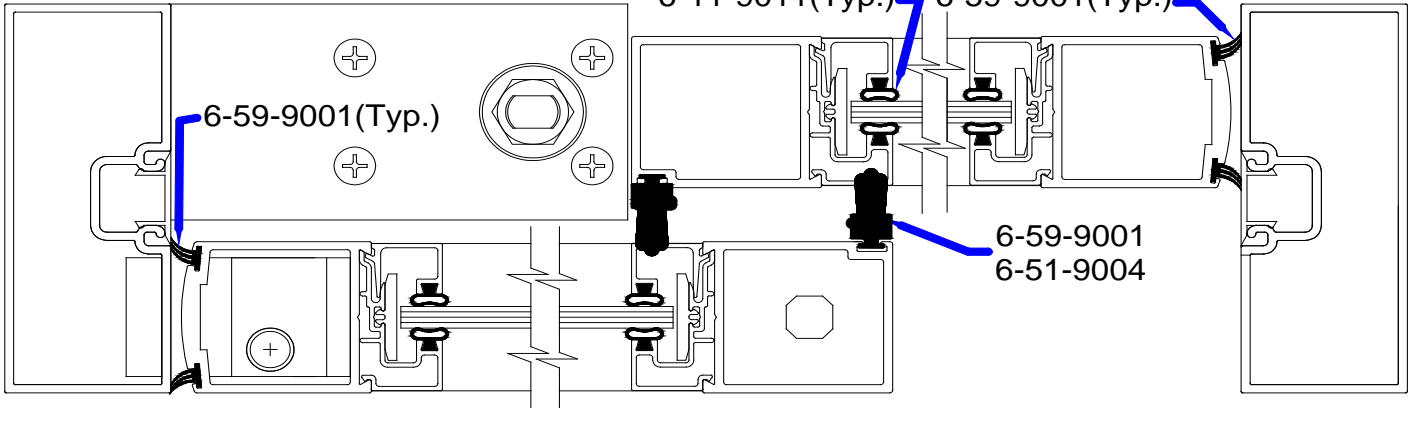


6-11-9011(Typ.)

6-59-9001(Typ.)

6-59-9001(Typ.)

6-59-9001  
 6-51-9004



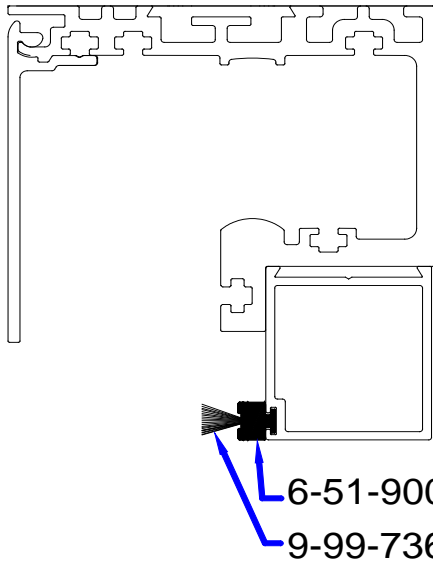




**record-usa**  
4324 PHIL HARGETT  
MONROE, NC 28110  
(704) 289 - 9212

# Series 5900 ICU FBO Smoke Seals

Nov2018



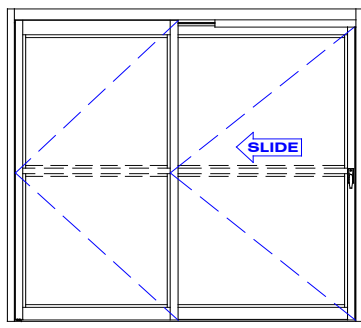
9-99-3594 (2")  
End of Catch above  
5-11-4021 Stile

9-99-7363(Typ.)

9-99-7318(Typ.)

6-51-9004

9-99-7363



**ELEVATION VIEW**

SCALE: 1/4" = 1'0"



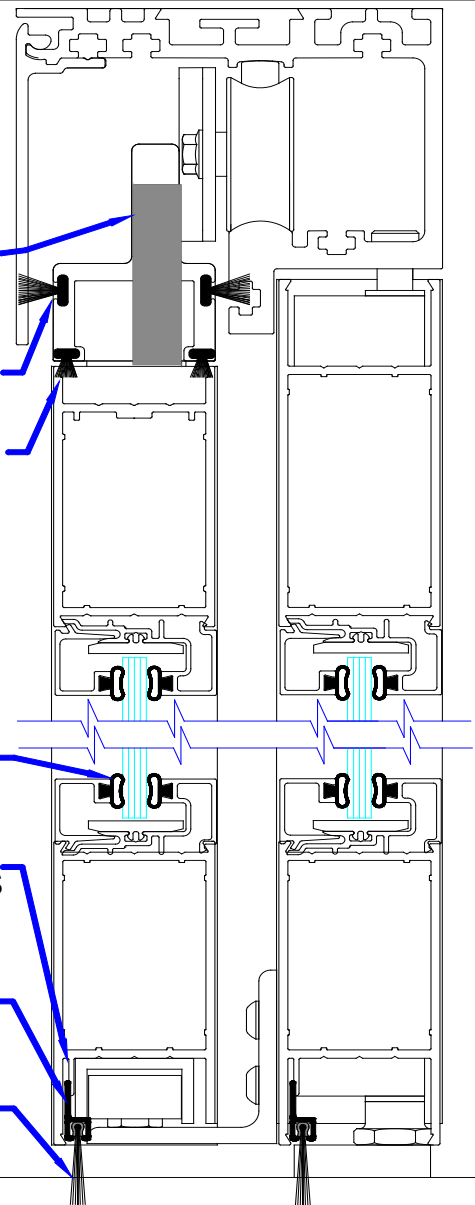
**PLAN VIEW**

SCALE: 1/4" = 1'0"

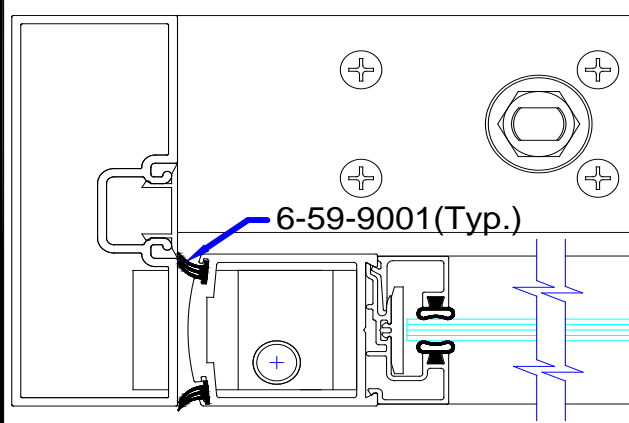
Note: W/S retainer is on  
side opposite vertical W/S

9-99-7347-BL (Typ.)  
Extended into Verticals

9-99-7362 (Typ.)  
Extended into Verticals



6-11-9011(Typ.)



6-11-9011(Typ.)

6-59-9001(Typ.)

6-59-9001(Typ.)

9-99-7360(Typ.)

6-51-9004(Typ.)

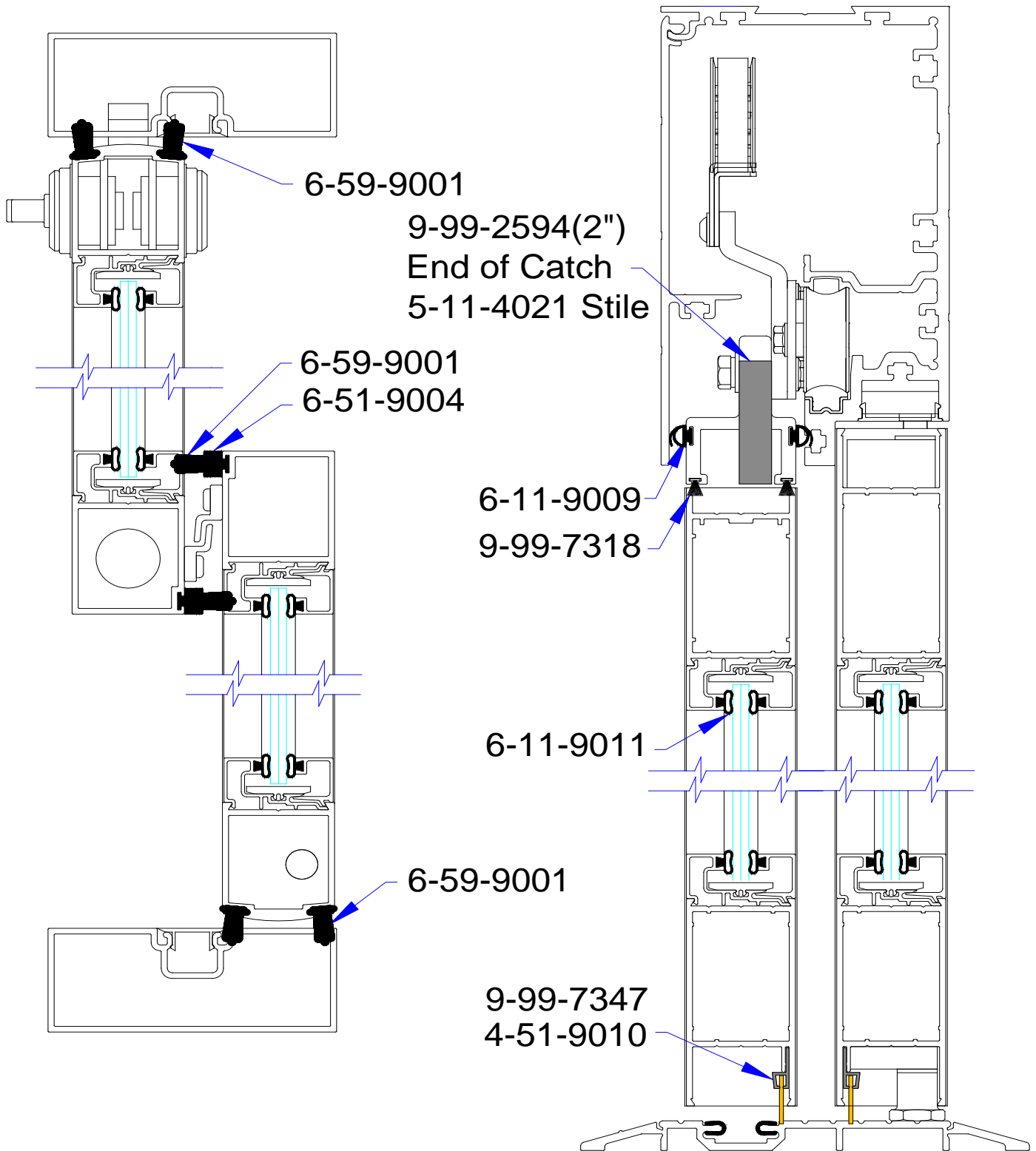




**record-USA**  
 4324 Phil Hargett Ct.  
 Monroe, NC 28110  
 (704) 289 - 9212

# Series 5100 Full Breakout Clean Room Door Seals

Nov2018





**record-USA**  
 4324 Phil Hargett Ct.  
 Monroe, NC 28110  
 (704) 289 - 9212

# Series 5100 Fixed Sidelite Clean Room Door Seals

Nov2018

