

5600 SERIES

Low Energy Power Operator



Norton[®]

ASSA ABLOY

ASSA ABLOY, the global leader
in door opening solutions

INTRODUCTION



The 5600 Series, a member of the POWERMATIC® Family of Operators, offers functionality and control at an affordable price. Ideal for retrofit applications, the 5600 Series converts interior, non-fire rated doors for ADA compliance easily and affordably and provides a simple way to achieve touchless environments in public restrooms. Available for push or pull mounting, this unit can be operated manually or activated by wall switches, or radio frequency devices. Easy to install, set-up and adjust, the 5600 Series is perfect for ADA-compliant offices, classrooms and dorm rooms, and touch free applications like public restrooms, labs and examination rooms.

FEATURES

- Push or pull side mounting
- Non-handed
- Quiet operation
- Electrically controlled backcheck, sweep and latch
- Activation options: wall switches, radio frequency devices
- Ease of installation and set-up
- On/Off Switch
- Hold open options: 0-30 seconds (5 seconds minimum required for ADA and ANSI/BHMA A156.19)
- Onboard 24VDC (1.1A) power supply for accessories
- Door closer mode for manual usage
- Electronic motor dampening - provides feel of high performance, manual door closer
- Electric hardware and access control interface

PATENT

- Patent Pending

TABLE OF CONTENTS

Functions	3
Electrical Data	3
Certifications	3
Specifications	3
Standard Applications	4
How to Order.....	5
Accessories & Kits.....	5-6
Parts List.....	7

FUNCTIONS

- Push & Go
 - As the door is manually opened, the operator "senses" movement and opens door to the full-open position.
- Obstruction Detection
 - Motor stops if door is obstructed during opening
- Motor Start Delay
 - 0-5 second delay to allowing locking hardware to release first
- Overload Safety Shut-Off
 - After two minutes of receiving a door activation signal, the unit will time out
 - Prevents motor/inverter damage
- Executive™ Kit
 - Operator is shipped with a transmitter and RF receiver
 - Press the transmitter once and the door opens; press the transmitter a second time and the door closes
- 'Hands-Free' Kits
 - Operator shipped with wave-to-open wall switch
 - Option of electric strike for mortise or cylindrical lock

ELECTRICAL DATA

- Power Input; 120 VAC, 60Hz
- Current Draw: .6A
- Relay Output: SPDT
 - Normally Open/Normally Closed (jumper)
 - For electric strike function

CERTIFICATIONS

- ANSI / BHMA A156.19 certified
- ETL certified; conforms to ANSI/UL standard 325 for automatic closing doors
- Comply with requirements for the Americans with Disabilities Act (A.D.A)
- This product is manufactured in an ISO 9001 facility

SPECIFICATIONS

GENERAL SPECIFICATIONS

Operators for interior doors shall be products of one manufacturer and be matched in style. Operator (non-fire rated doors) closing force shall be adjustable to ensure adequate closing control and shall simulate conventional door closer opening and closing forces unless the power operator motor is activated or in the event of a power outage to the operator. Operators shall be non-handed and have electrically controlled backcheck, sweep, and latch with manual adjustment to set both the full open and full closed door positions. Maximum door open shall be adjustable up to 95°, pull side mounting, conditions permitting. Operators can be SELECTIVELY ACTIVATED (i.e. external wall switches, radio frequency devices). Operators shall have input line rating of 120VAC, .6A, and include on board relay contact for interfacing with products having a rating of 24VDC at 1A. Door operators shall include an external On/Off Switch to defeat powered opening cycle and an internal circuit breaker switch to interrupt input power for servicing. Operators shall be ETL certified and conform to ANSI/U.L. standard 325 for automatic closing doors. Door operators shall be in compliance with the requirements of the Americans with Disabilities Act (ADA) and ANSI/BHMA standard A117.1.

ADDITIONAL DETAILED SPECIFICATIONS:

When activated, the door operator shall, by means of an integral motor, power open the door at both a speed and force adjustable to meet accessibility codes. The door shall be powered from a door closed position to a full door open position and remain in momentary hold open for 0 to 30 seconds (adjustable 0 to 30 seconds); (A.D.A requires 5 seconds minimum hold open). Operators shall be capable of allowing the door to be opened manually from 0 to 95°, conditions permitting. Once door operator reaches full hold open position, if reinitiated, the momentary hold open time shall restart from the initially set hold open time. If door operator is initiated during the closing cycle, the operator shall revert to opening cycle beginning at that door position. Obstruction detection during opening shall neutralize and reverse motor action reverting motor to closed position allowing door to close by means of the integral motor. The obstruction detection feature shall be integral to the door operator. During closing cycle, the door operator shall close door by means of integral motor power not to exceed a closing force of 15 lbf. In the event of power loss, the door will remain in the position at the time of the power loss during the opening or the closing cycles.

STANDARD APPLICATIONS

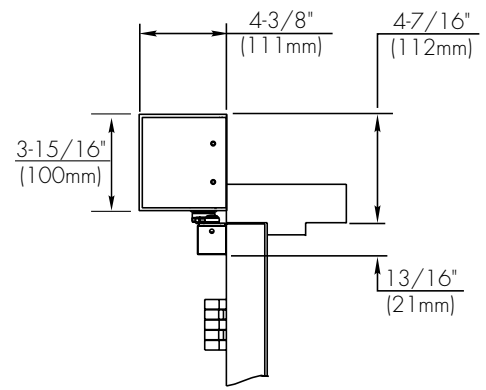
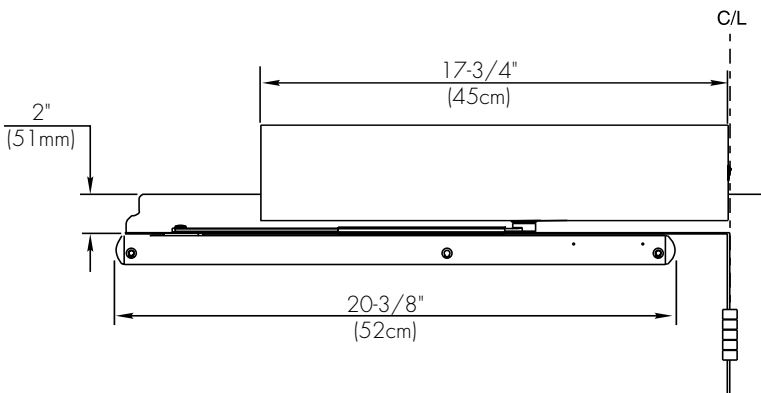


5610
HINGE (PULL) SIDE OF DOOR

- 95° swing (trim permitting)

Door width:
Minimum = 32"
Maximum = 36"

An auxiliary stop is recommended.



Note: Contact factory if doors exceed 150 lbs.

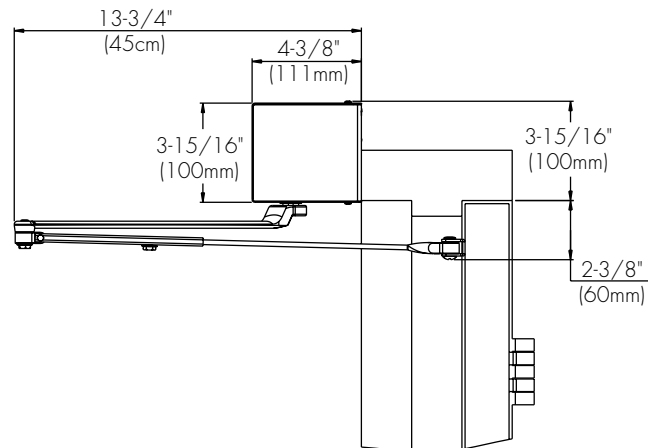
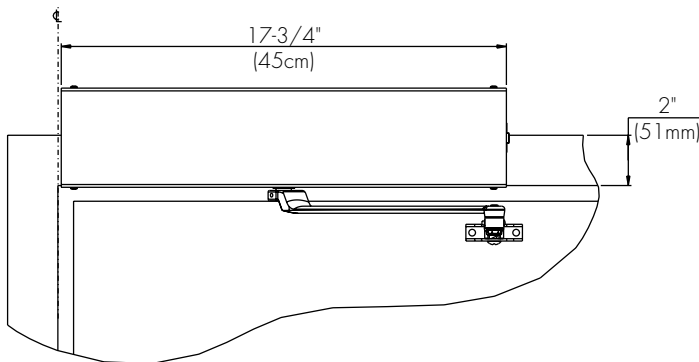


5630
HINGE (PUSH) SIDE OF DOOR

- 110° swing (trim permitting)

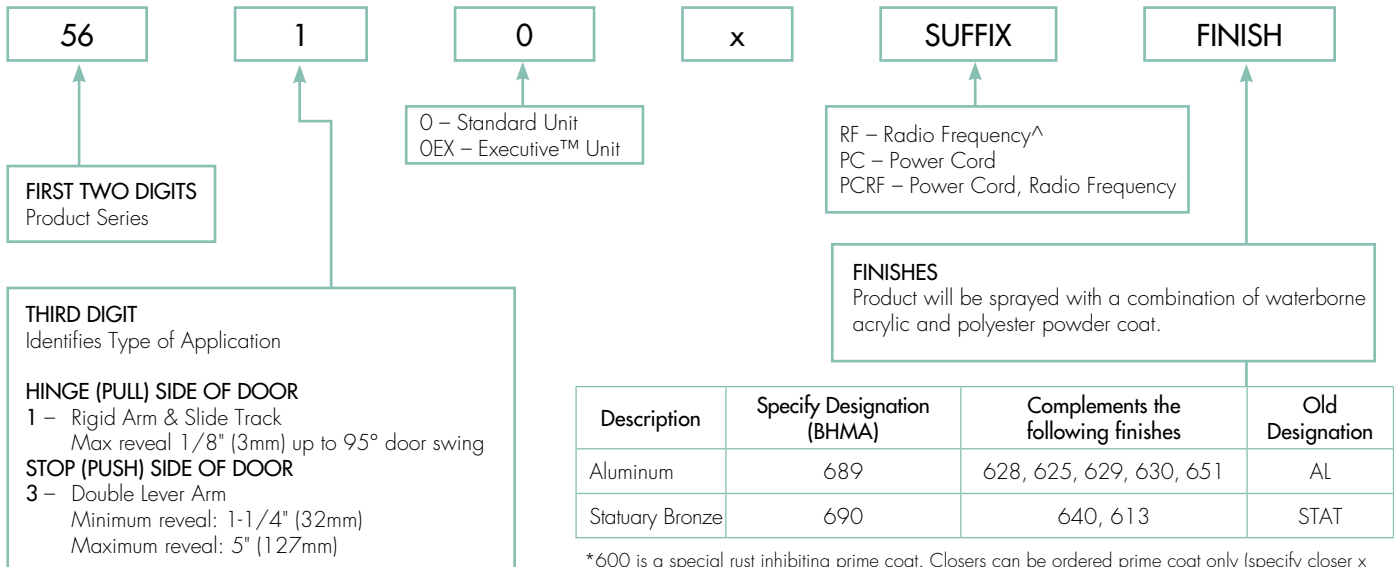
Door width:
Minimum = 32"
Maximum = 36"

An auxiliary stop is recommended.



Note: Contact factory if doors exceed 150 lbs.

HOW TO ORDER



^ Actuators not supplied with RF.
Note: For Kits see page 5 & 6.

*600 is a special rust inhibiting prime coat. Closers can be ordered prime coat only (specify closer x 600). An additional charge applies if finish coat is required over prime coat (ex: 5610 x 600 x 689).

ACCESSORIES

Activating Door Switches



501



502

- 4-1/2" W. x 4-1/2" H.
- 15 amp @ 125 VAC
- Flush mounted – hard wired
- Fits single or 2 gang electrical box
- 501 – Stainless steel with black letters
- 502 – Blue powder coat with white letters
- Specify #542 to order surface mount box for 501 or 502 switch



503

- 1-1/2" x 4-3/4" face plate
- SPDT UL listed switch-mom.
- 15 amp @ 125 VAC
- Fits 1-3/4" frame
- Stainless steel with blue letters



505, 531



507, 532

- 6" W. x 6" H.
- 9 volt battery
- 15 amp @ 125 VAC
- Flush mounted
- Stainless steel with blue letters
- 531, 532, 533 and 535 - radio frequency (433MHz). Used with RF option and 539. Surface mount boxes are included.
- 507, 505, 506 and 534 - hard wired*. Surface mount boxes are not included. If required, specify:
555 - 6" square surface mount box
557 - 6" round surface mount box
- * Switches may also be installed with single or double gang electrical box using fasteners included.



506, 533



534, 535

All hard wired switches are Momentary Contact SPDT, UL Listed. Optional DPDT switches are available; suffix "D" to model number.

ACCESSORIES

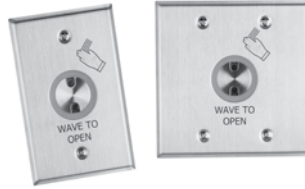
Vestibule Switches



504

- 5" W. x 4-3/4" H.
- 2 – SPDT UL listed switches-mom.
- 15 amp @ 125 VAC
- Fits 2-gang electrical box
- Stainless steel with blue letters

Wave-to-Open Wall Switch



700

- Single gang and double gang packaged together
- Sensor requires movement for activation
- Variable relay – hold time from 0 – 35 seconds
- Range 0" to 4"
- Dimensions:
3" W x 4-3/4" H (single);
4-1/2" W x 4-1/2" H (double)

Radio Frequency Receiver



539

- 433 MHz

Transmitters



536

- 2-3/8" w x 4-3/16" h x 15/16" d
- Single channel



538

- 2-3/8" w x 4-3/16" h x 15-16" d
- Double channel



548

- Converts existing hard wired push plates to work with RF receivers offered after June 2013
- Single channel
- 9 volt

KITS

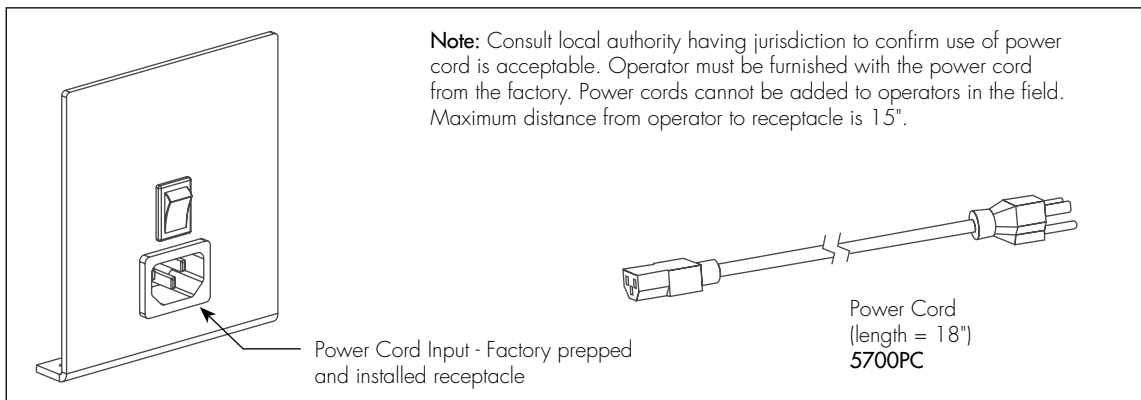
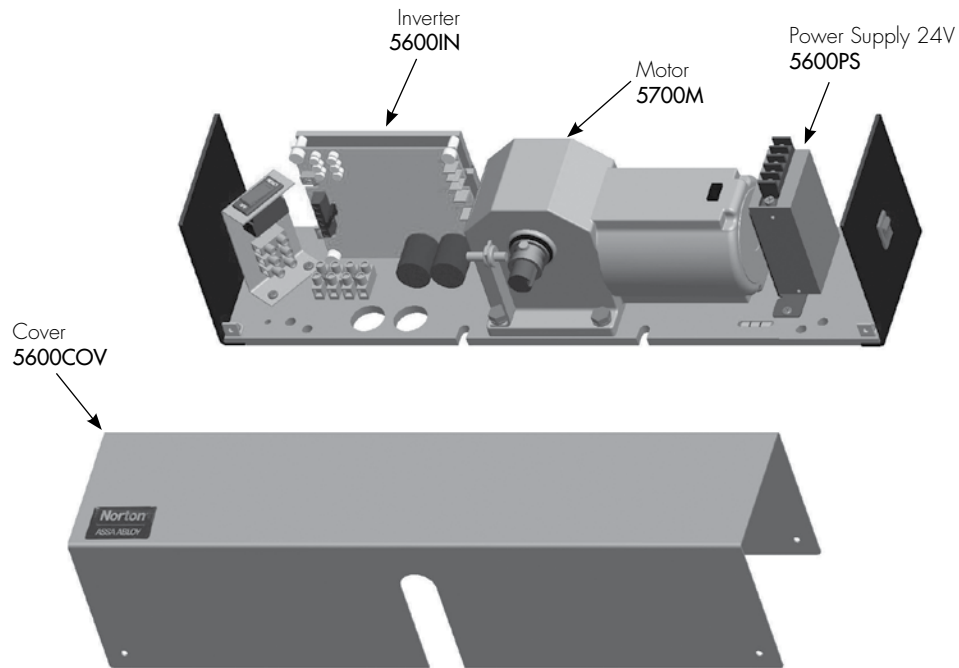
There are several kits available to convert restrooms to a completely touchless environment.

Model Number	Description	Kit Includes				
		Operator		Switches (1 Single & 1 Double Gang)	(1) Strike	
		5610	5630	700	5000C	1006CLB
5610K1	Hands-free kit	√		√		
5630K1			√	√		
5610K1-SC	Hands-free kit with HES electric strike for cylindrical locks	√		√	√	
5630K1-SC			√	√	√	
5610K1-SM	Hands-free kit with HES electric strike for mortise locks	√		√		√
5630K1-SM			√	√		√

The Executive Function Kits provide wireless door control for offices. Simply press a button and a signal is sent to the door to open; press the button a second time and the door closes.

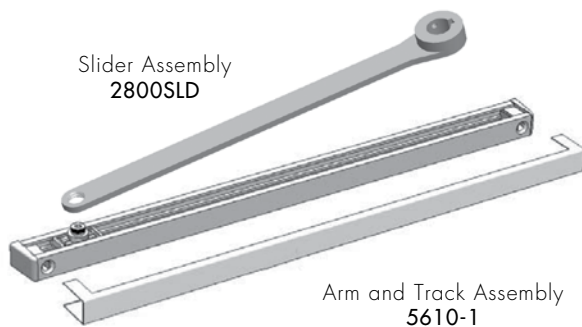
Model Number	Description	Kit Includes		
		Operator		Transmitter
		5610RF	5630RF	536
5610EX	Executive function	√		√
5630EX			√	√

PARTS LIST

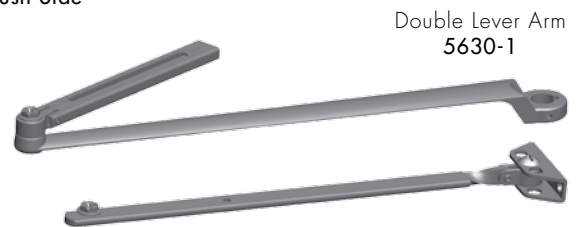


ARM ASSEMBLIES

Pull Side



Push Side



Norton®

ASSA ABLOY

5600 SERIES
LOW ENERGY POWER OPERATOR

CONTACT US AT:

Norton Door Controls
3000 Highway 74 East
Monroe, NC 28112
Tel: 877-974-2255
Fax: 800-338-0965

ASSA ABLOY Door Security Solutions Canada
160 Four Valley Drive
Vaughan, Ontario, L4K 4T9 Canada
Tel: 800-461-3007
Fax: 905-738-2478

For a complete listing of products and applications please visit our web site.
www.nortondoорcontrols.com
www.assaabloy.ca

Norton® and Powermatic® are registered trademarks of Yale Security Inc., an ASSA ABLOY Group company. Other products' brand names may be trademarks or registered trademarks of their respective owners and are mentioned for reference purposes only. Norton is a brand associated with Yale Security Inc., an ASSA ABLOY Group company. Copyright © 2012-2016, Yale Security Inc. All rights reserved. Reproduction in whole or in part without the express written permission of Yale Security Inc. is prohibited.

ASSA ABLOY is the global leader in door opening solutions, dedicated to satisfying end-user needs for security, safety and convenience.

43214-8/16R
