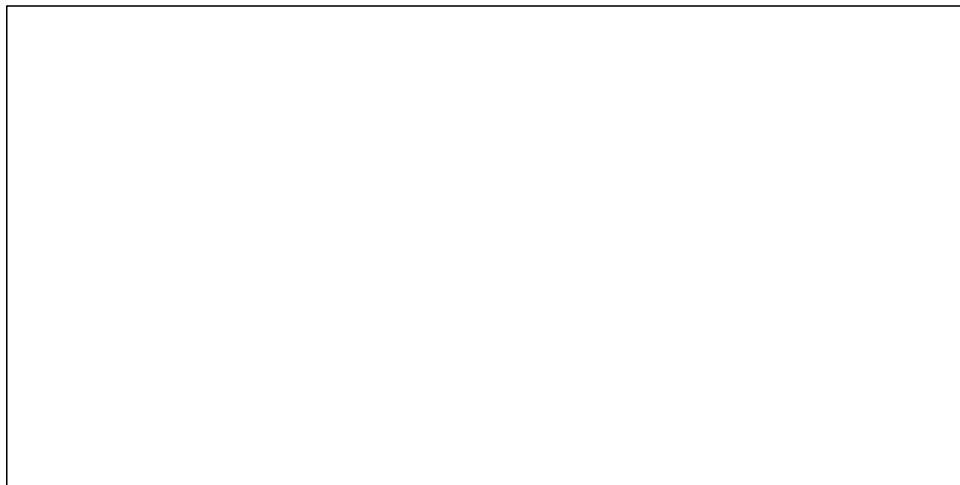


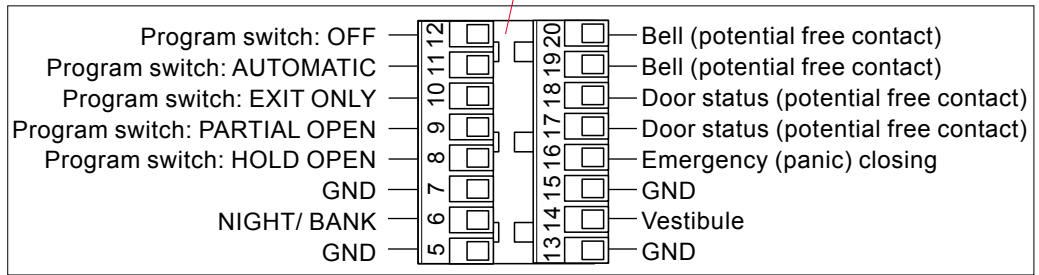
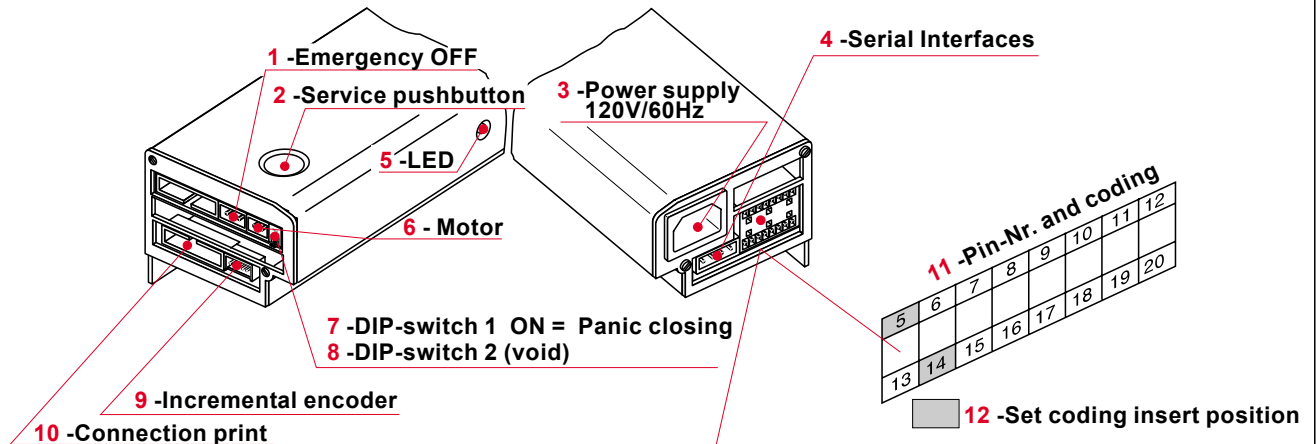
ESA SCHEMATICS

Distributed by:



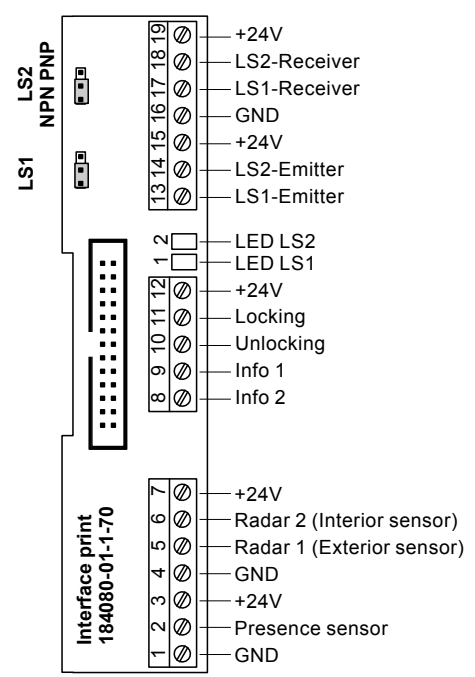


Control system

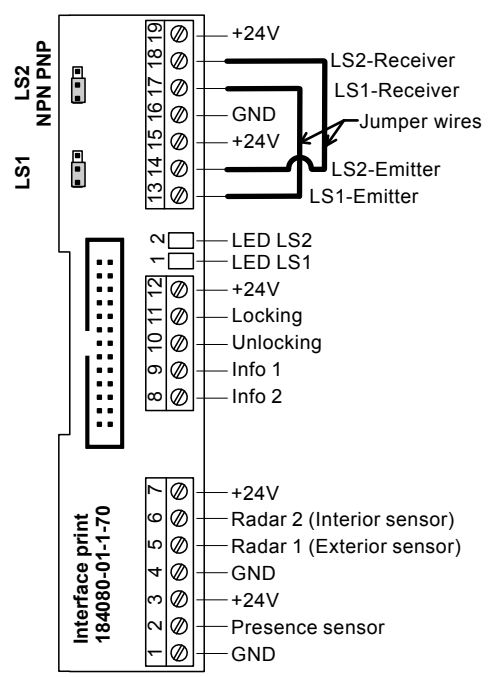


1

Wiring diagram sensor interface PC board with safety beams



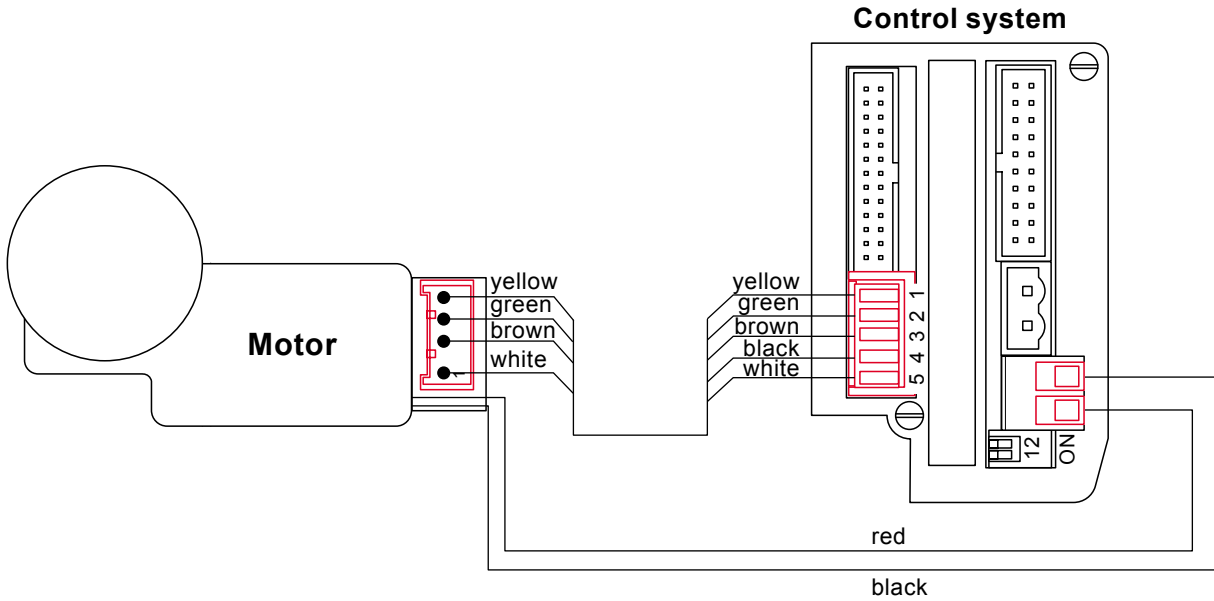
Wiring diagram sensor interface PC board with out safety beams



2



Wiring diagram - Motor

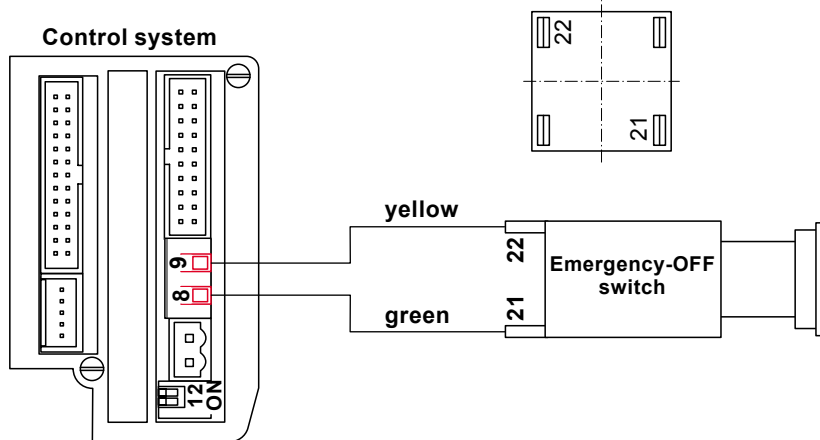


Left Hand, (O-SX, SO-SX), Shown

Right Hand, (SX-SO, SX-O), Reverse Red & Black Motor Wires

3

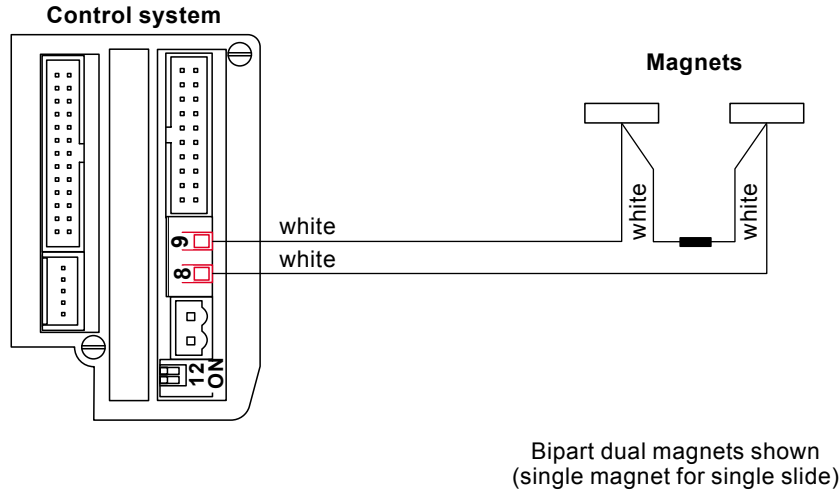
Wiring diagram breakout-cutoff switch



4

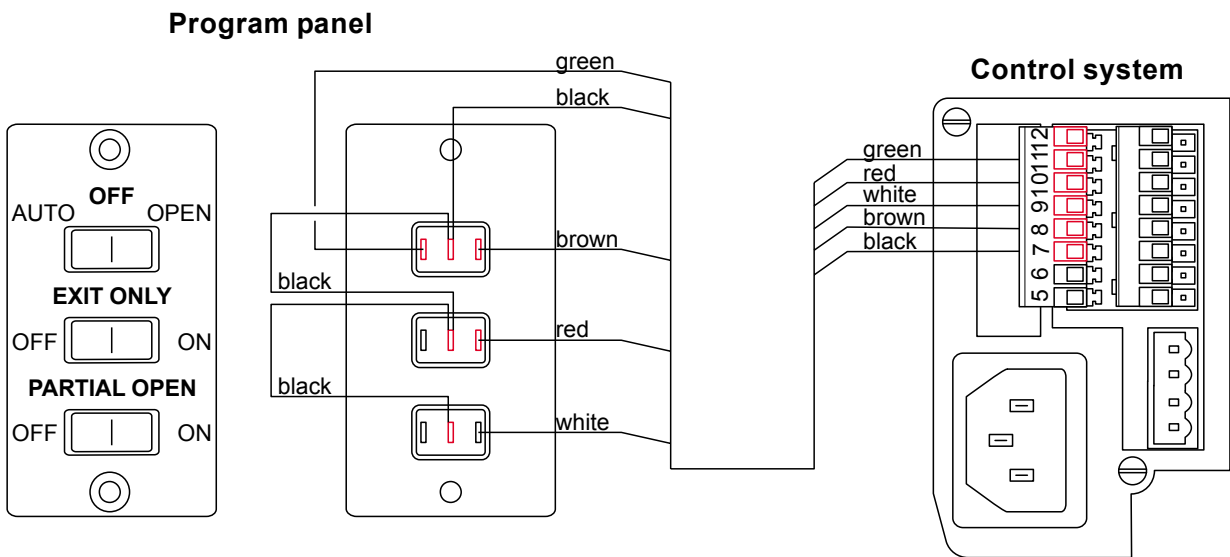


Wiring diagram breakout-cutoff switch (optional)



4a

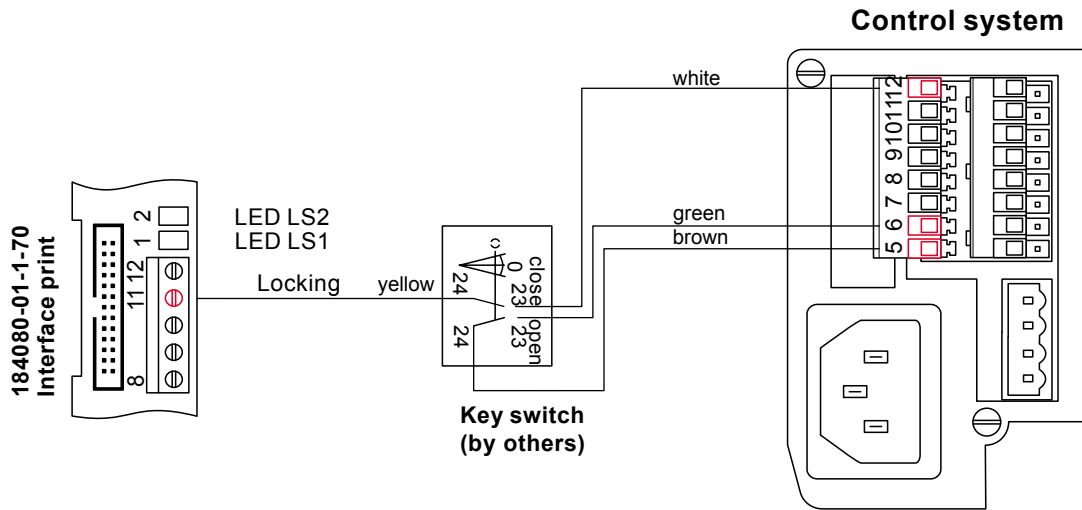
Wiring diagram program panel



5

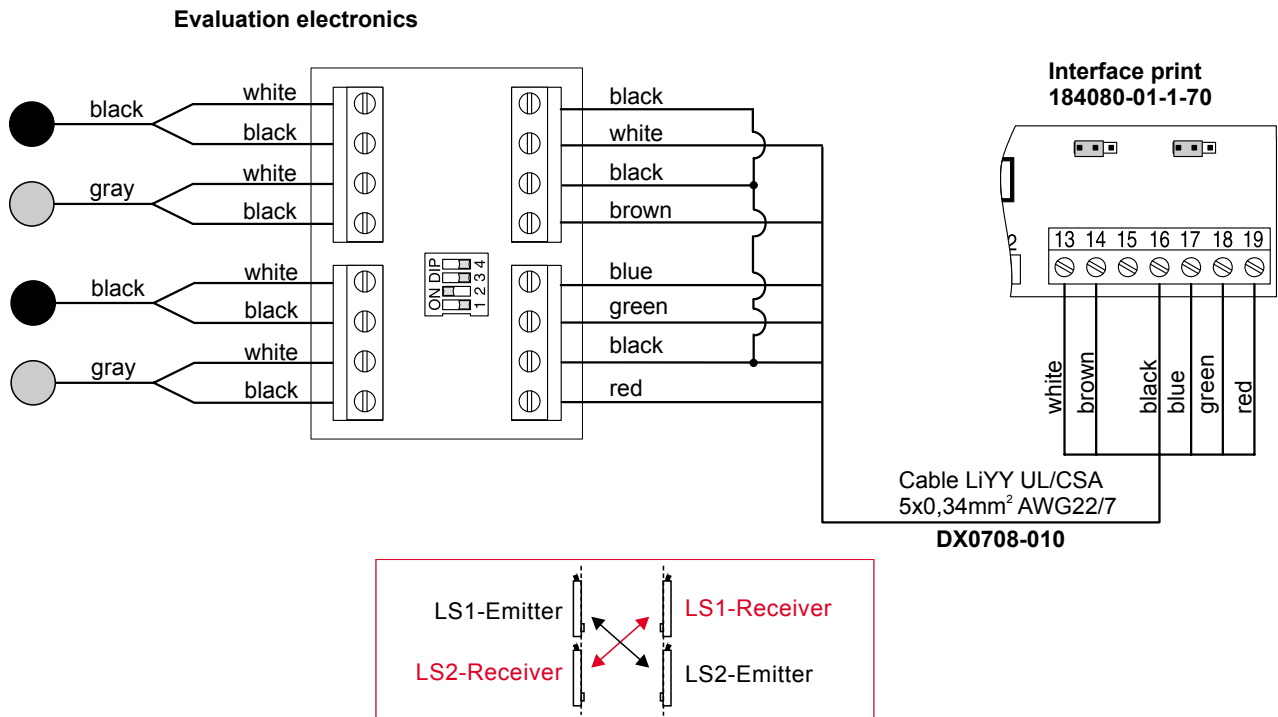


Wiring diagram, Night/Bank



6

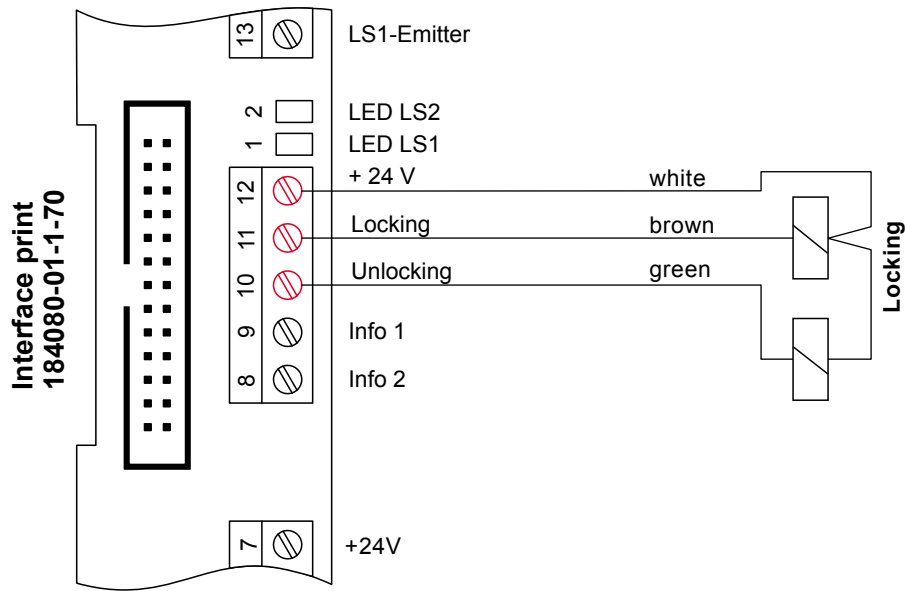
Wiring Diagram - light beams Microcell 3D



7

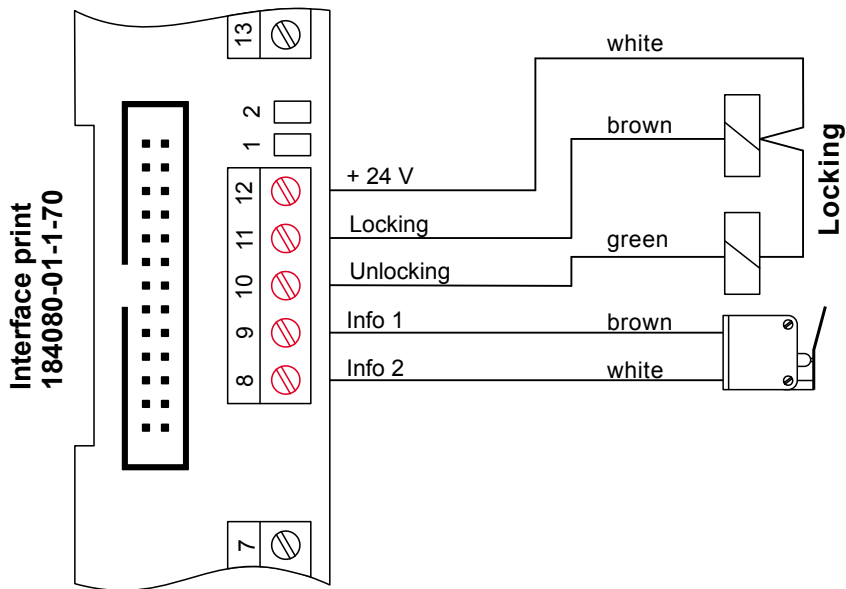


Wiring diagram locking



8

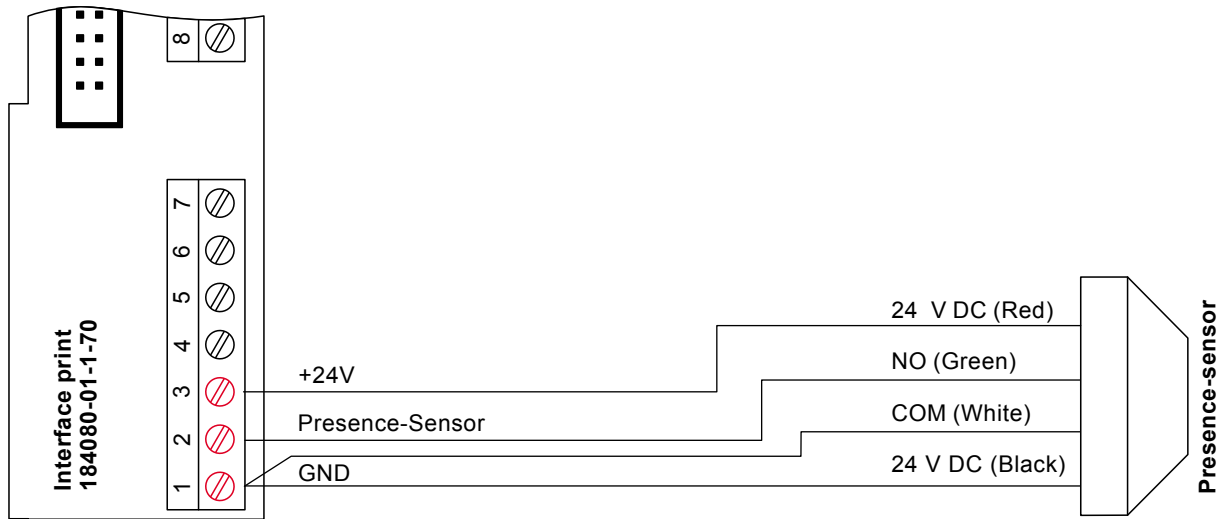
Wiring diagram locking with additional locking contact



8a

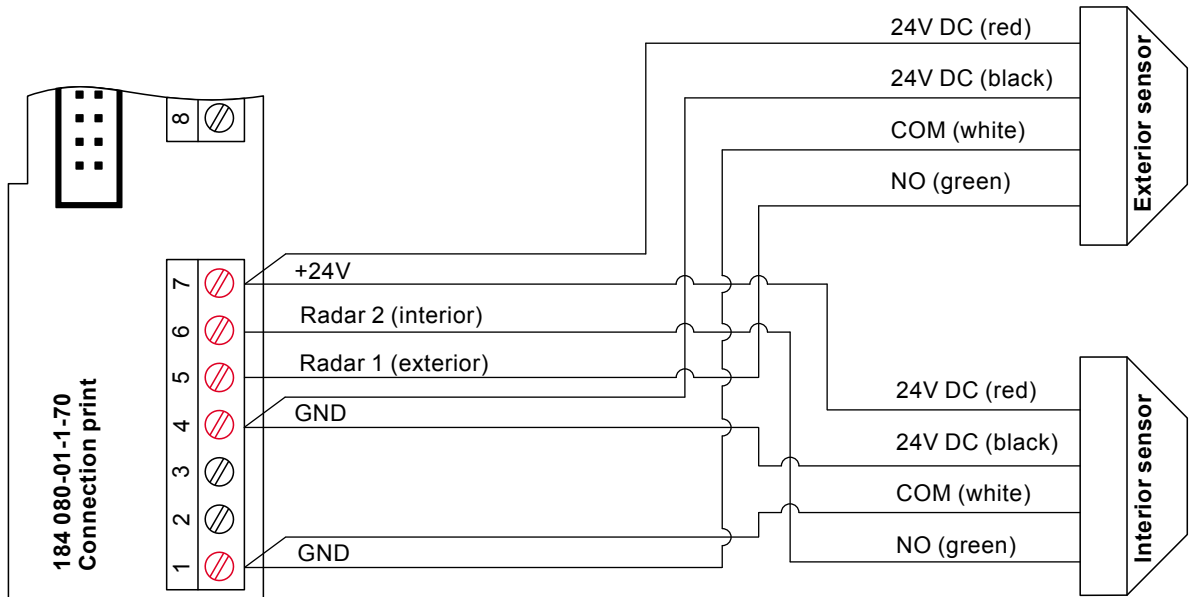


Wiring diagram presence sensor (BEA Crystal)



9

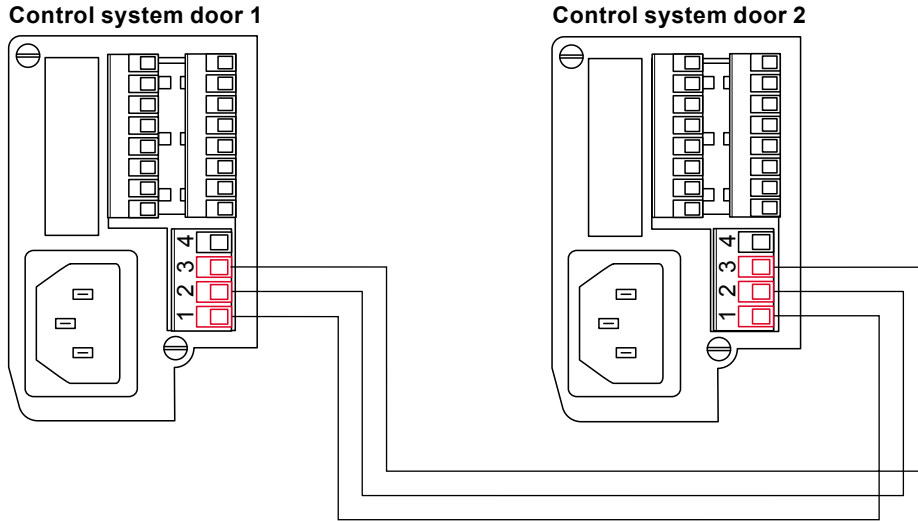
Wiring diagram radar (BEA Eagle)



10

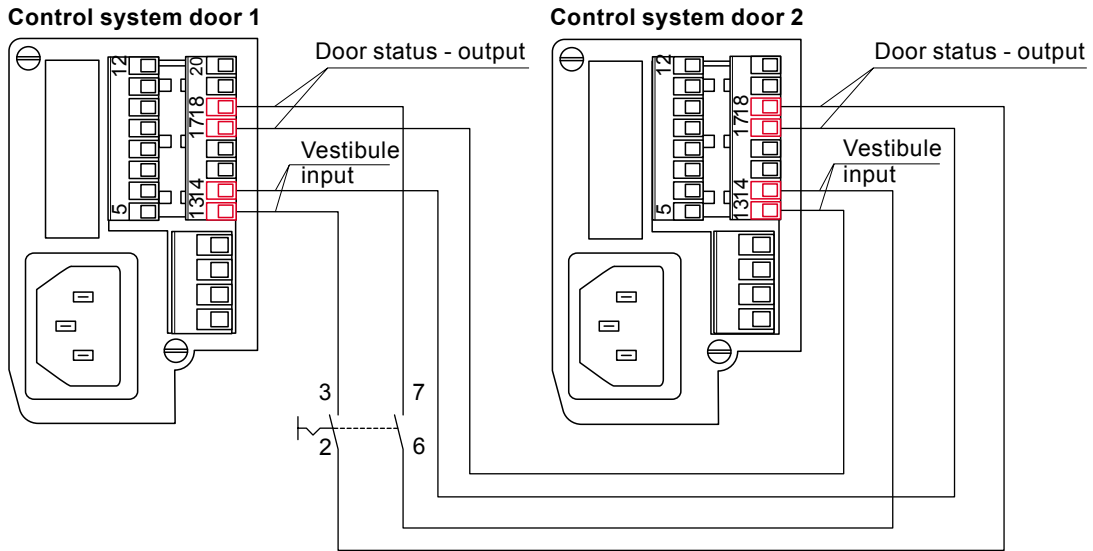


Wiring diagram - synchronising of 2 doors



11

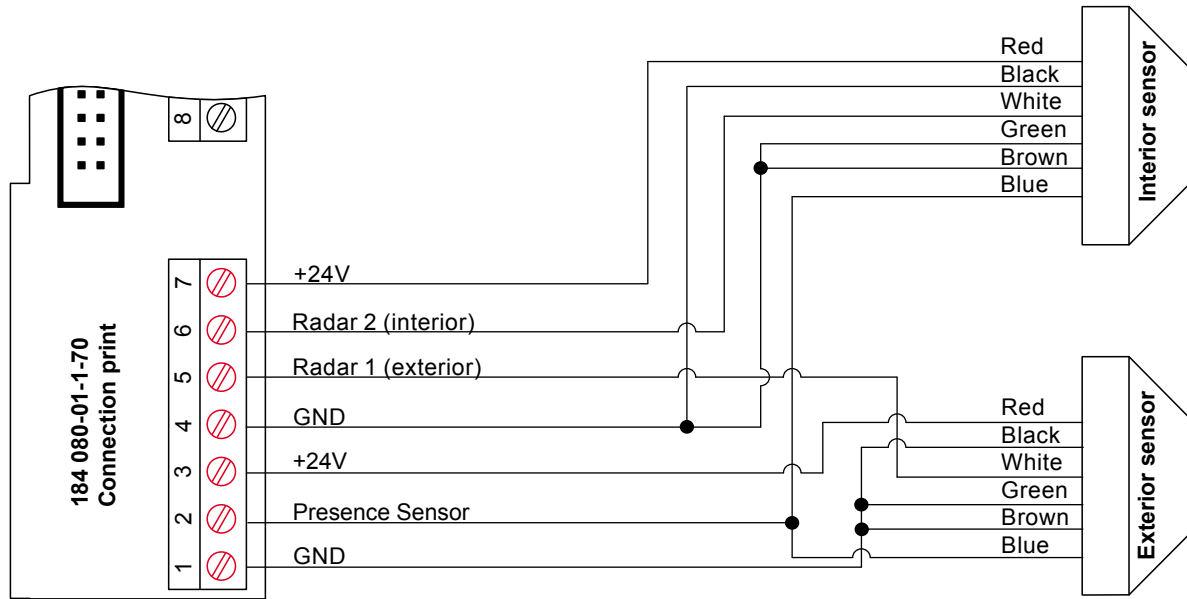
Wiring diagram - Vestibule



12

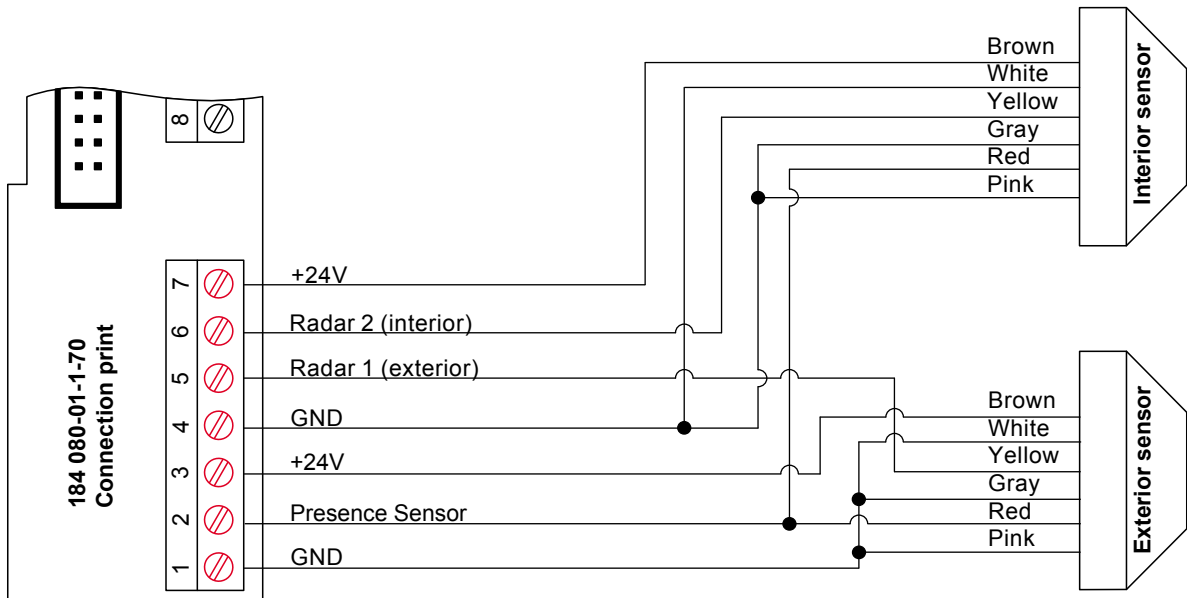


Wiring diagram BEA (Wizard)



13

Wiring diagram (Reglamat - Profusion)



14