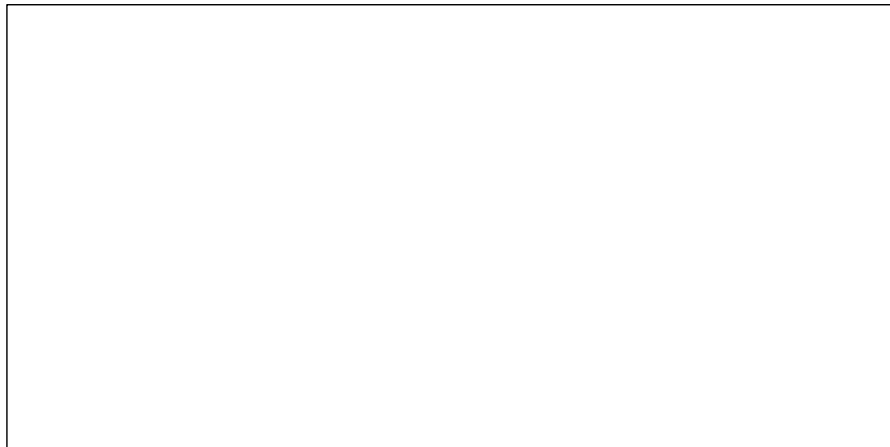


AUTOMATIC SWING DOOR

OVERHEAD CONCEALED (OHC)

INSTALLATION INSTRUCTIONS

Distributed by:



Important Installation Instructions

ALL INSTALLATIONS AND SERVICE SHOULD ONLY BE PERFORMED BY TRAINED OR AUTHORIZED PERSONS

Warning - To reduce the risk of injury or death:

1. Carefully Read And Follow All Installation Instructions
2. This unit should only be installed in a rough opening capable of providing proper structural support.
3. Always disconnect the power supply before servicing.
4. To install and adjust the door for proper and safe operation, the installer must carefully read this instruction book before proceeding, then follow the instructions exactly.
5. The door is designed to be installed only by trained and knowledgeable installers. The installation technician should be experienced in the installation of automatic entrances. They should know all local code requirements and be familiar with the requirements of the current ANSI A156.10 & 156.19 Standards for Power Operated Pedestrian Doors.
6. After installation, the door must be adjusted to conform with DORMA recommendations and all code requirements. Carefully study the requirements in these instructions.
7. After installation and adjustment, the installers final responsibility is to properly instruct the owner in the safe use of the door. He must also present the owner with the ED400 Owner's Manual and carefully explain how to perform the daily safety check test.
8. Each step of the installation, adjustment and instructions are important for proper and safe use of the door being installed. If there are any questions about any items contained in these instructions, call the DORMA Technical Assistance Group for assistance.
9. Save these instructions for future reference

Compliance with Safety Standards

Your door system was designed to the latest operating and safety standards. In order to ensure the continued safe operation of your door, it is important that:

- Your door system be maintained in compliance with the standards of the industry, BHMA/ANSI 156.10, or 156.19.
- Proper decals and labels be applied, per BHMA/ANSI Standards, and maintained on your doors. If decals are removed, or cannot be read, request labels to be replaced when calling for service.

Tools Required:**Screwdrivers**

- Small Straight (Flat Blade) - for Terminal Block wiring
- #2 Phillips (Crosspoint) - for various #8, #10, and #14 screws

Wrenches / Sockets

- 7/16" - for #1/4-20 Hex Head bolts attaching header to jambs
- 9/16" - for adjustments of hardstops (2 wrenches needed)

Allen Wrenches

- 1/4" - for top and bottom pivot

Electric Drill with the following drill bits -

- 3/8" - for attaching rivenuts to jambs
- 9/64" (or #28) - for installing sensors
- 5/32" (or #22) - for installing #10 sheet metal screws into adjacent storefront & Bottom pivot
- 13/64" (or #7) - for installing #14 sheet metal screws into adjacent storefront
- 1/4" - for clearance holes in jambs

Impact Drill with the following masonry bits -

- 1/4" - for #10 screw anchors
- 5/16" - for #14 screw anchors

Level - suggested 4' minimum

Step Ladder - 4' or 6'

Tape Measure

Rubber mallet or Hammer - for arm attachment

Caulking and Application Gun

Electrical Wire Strippers /Cutters - for sensor wiring

Suggested Fasteners Required - (Not supplied)**Jamb Attachment Screws -**

- #14 X 2-1/2" PHSMS (Pocket Jambs)
- #14 X 3" FHSMS (Tube Jambs)
- Optional Anchors for masonry

Threshold Attachment Screws

- #10 X 1-1/2" FHSMS
- Optional Anchors for masonry

Header Attachment Screws

- #14 X 1-1/2" HHSMS
- #14 Flat Washer

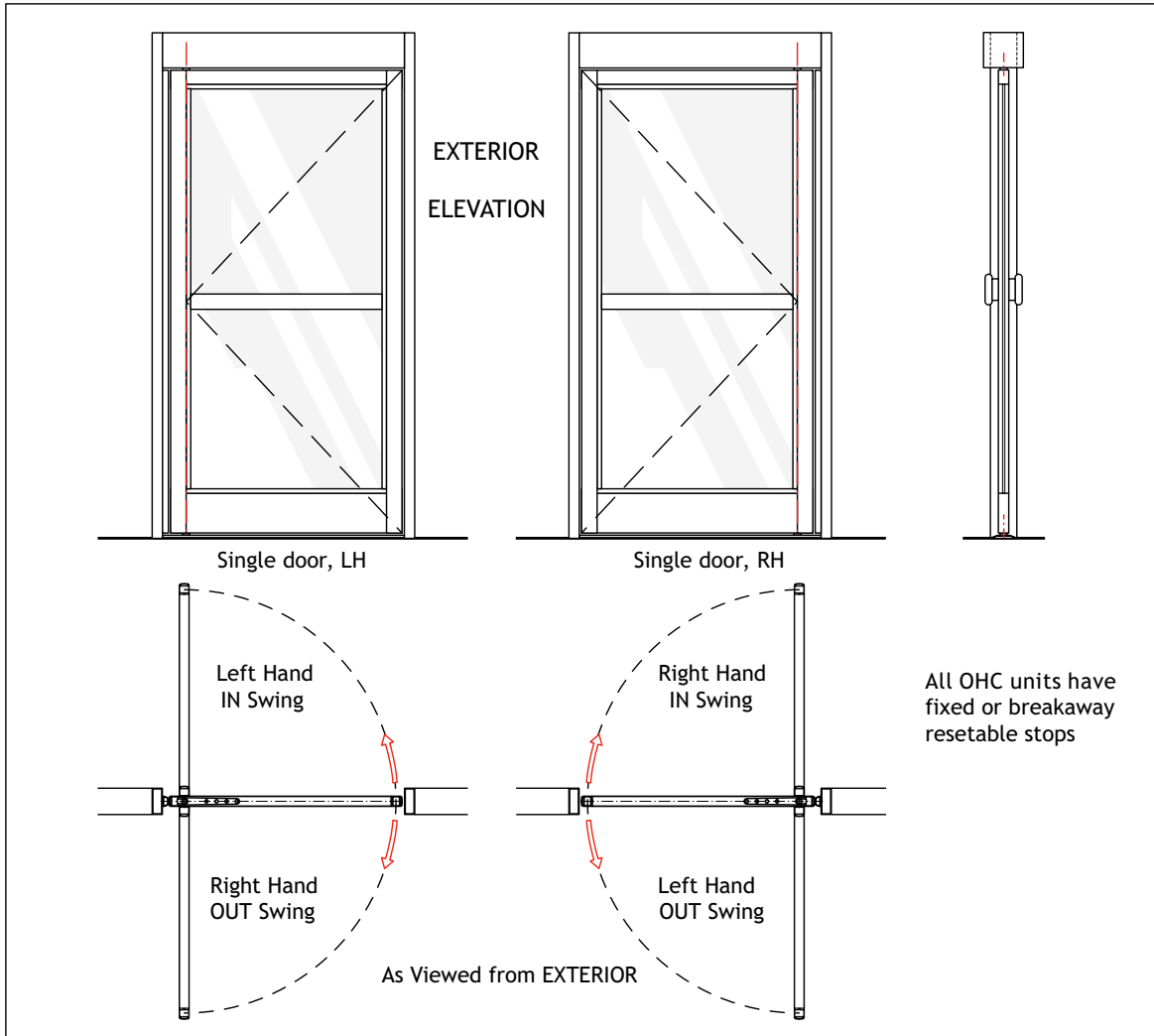
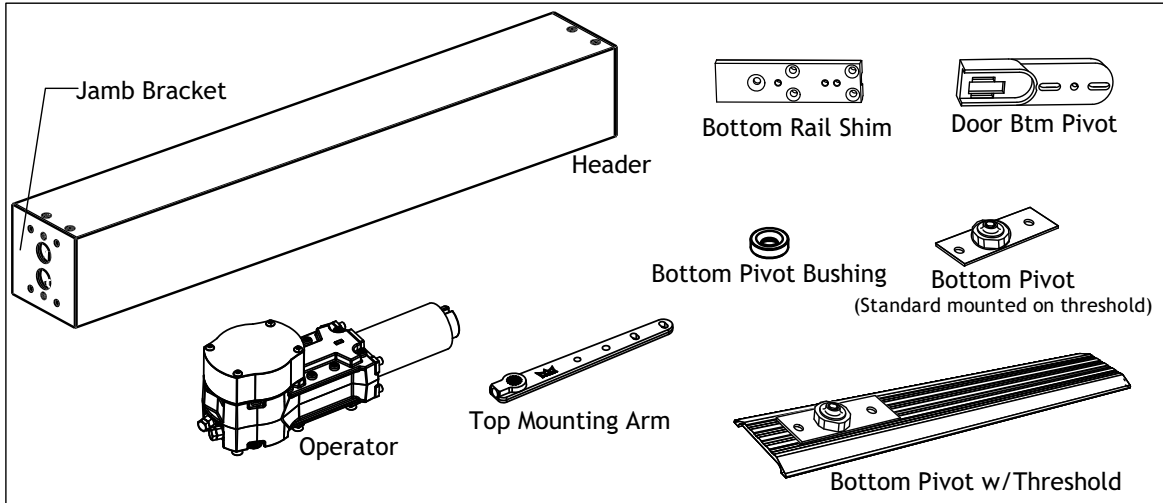
Construction Shims - for squaring door frame in opening

Contents

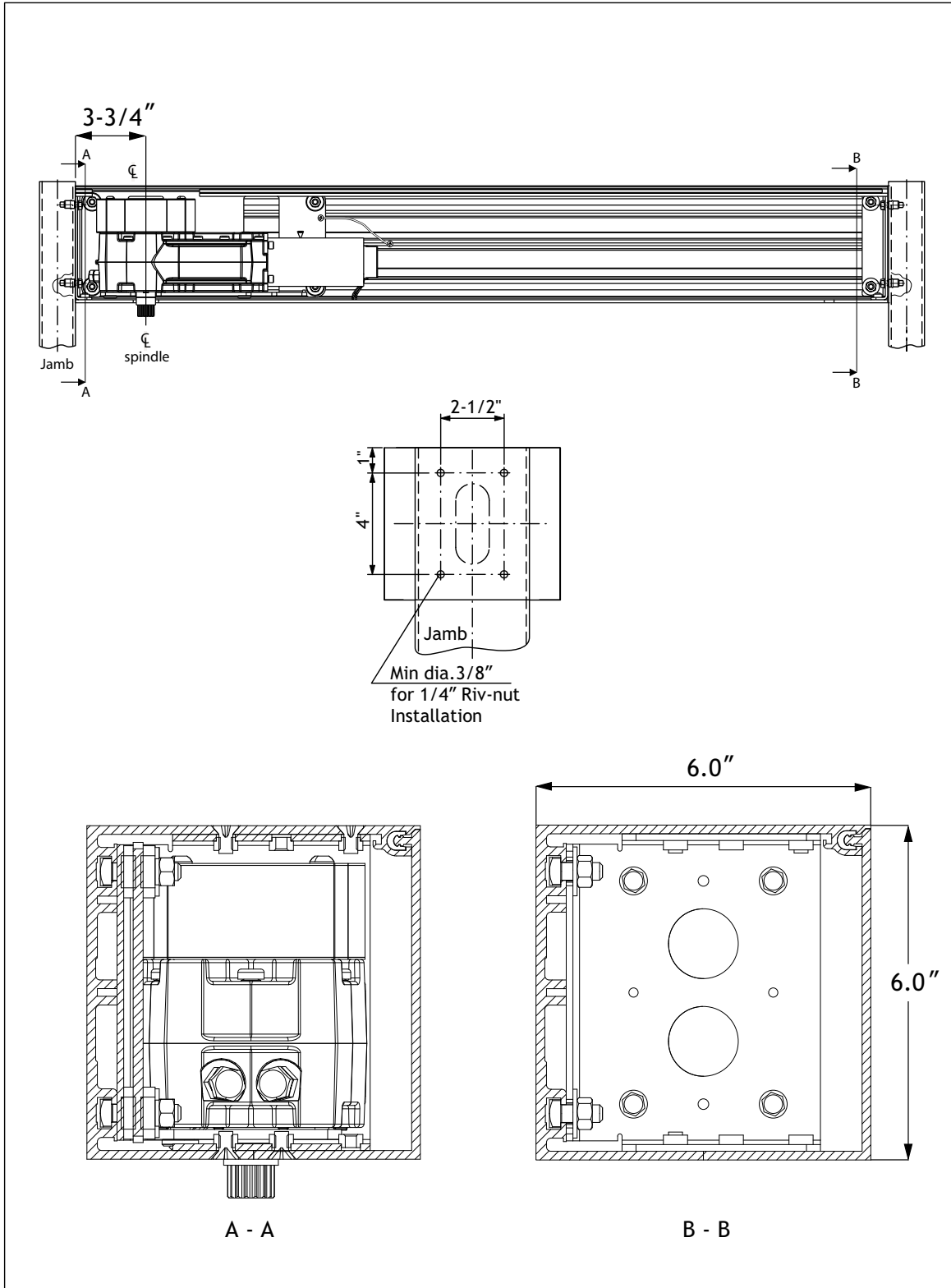
OHC (Overhead Concealed)

Section A:	pg. 4-10	Mount the door frame, operator, and controller. Hardstop Adjustment (optional).
Section B:	pg. 11-13	Controller Connections and Install sensors.
Section C:	pg. 15	Powering the Operator to Hardstop
Section D:	pg. 16-17	Mount the door, Install glazing, and Passive Braking Safety Check.
Section E:	pg. 18-19	Basic Set-Up
Section F:	pg. 20	Customized Set-Up
Section G:	pg. 21-22	Setting up Simultaneous Doors (side-by-side)
Section H:	pg. 22	Setting up Semi-Independent Doors (side-by-side)
Section I:	pg. 23	Magnetic Locks
Section J:	pg. 23	Final Check/ Install Hardstop or Breakout Switch
Section K:	pg. 24	Technical Data
Section L:	pg. 25	Technical Data

Section A: Mount the operator



Section A: Mount the operator



Section A: Mount the operator

A

a) Make sure jambs are square Or and plumb in all directions. b) Mark holes for Header for existing jamb application and drill. Install 1/4"-20 Rivet Nuts. Prepare opening for Mode Switch (Optional).

SF Series Rivet Nut 1/4"-20, 8 PL

Dia. 3/8"

WARNING!
The mounting of the operator to the rough opening must meet applicable building codes and standards for steel construction, concrete, etc..

* 7"
3/4"
1"
Mode Switch (optional)

* Note:
This is the recommended position for the mode switch. However, the final position is subject to change depending on installation situation and/or customer preference.

Place Header between Jambs and install bolts (7/16" socket/wrench required).

[The left side L-Bracket Nuts should be removed temporarily to aid in the installation. (right side L-Bracket Nuts for right side Mounting)]

L-Bracket Nut

1/4"-20 x 1 Hex Head w/Flat Washer (4 per side)

Note:
Operator is shown on left side. For opposite mounting contents of header are mirror-imaged.

Re-attach and tighten L-Bracket nuts from prior step.

Route wire for 120 Vac Power Supply and Mode Switch. Attach Grounding Screws. (see Figures 17 and 21, on Pages 11 and 13).

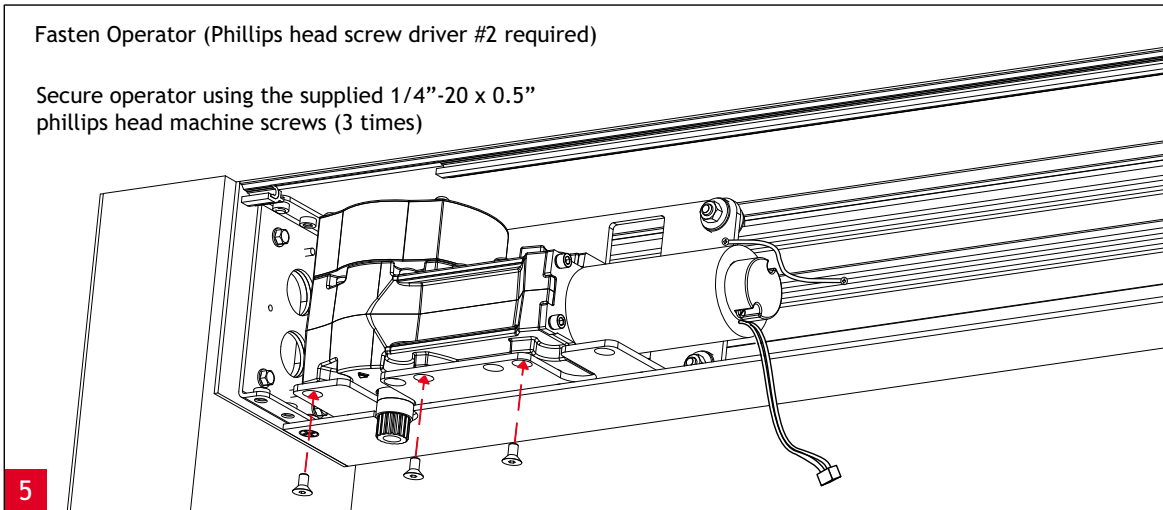
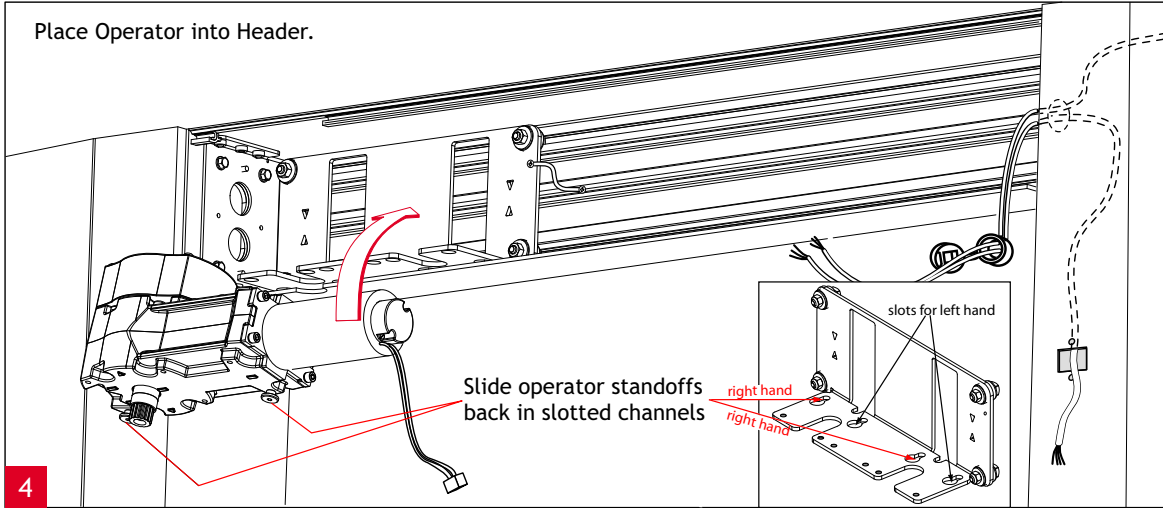
Drill 3/4" Dia Hole Thru for 120 VAC wiring.

120 Vac 15 Amp Service

Wire: AWG14 (Strand 41 x 30)
3 Connector PVC Insulated Cable

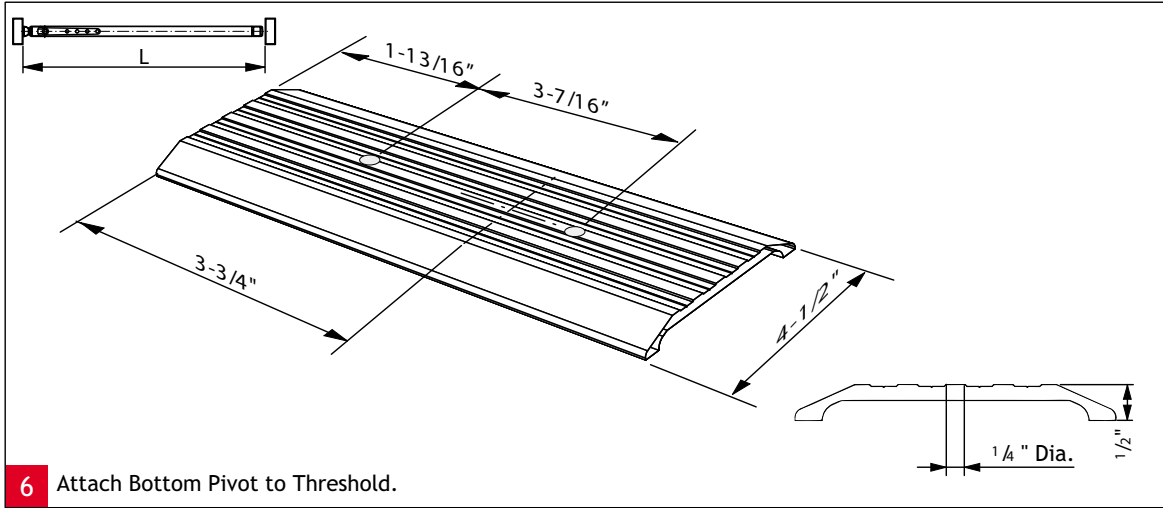
Use strain relief provided

Section A: Mount the operator

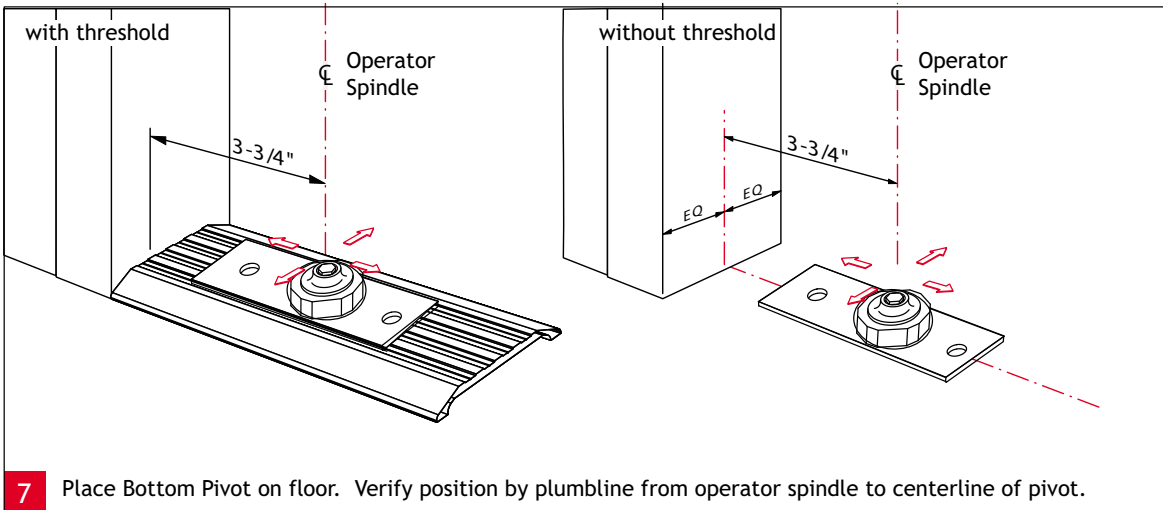


Section A: Mount the operator

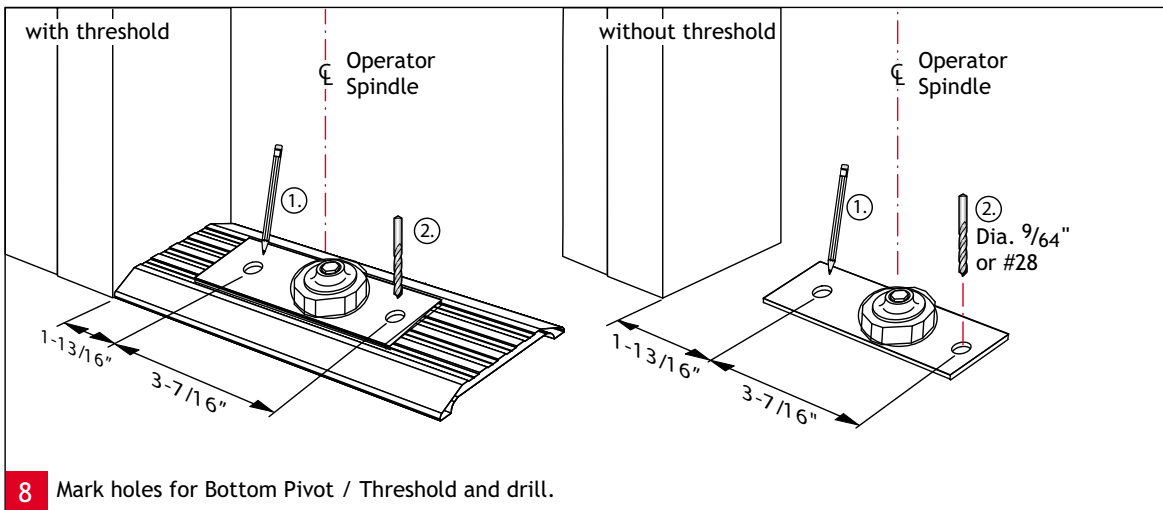
A



6 Attach Bottom Pivot to Threshold.



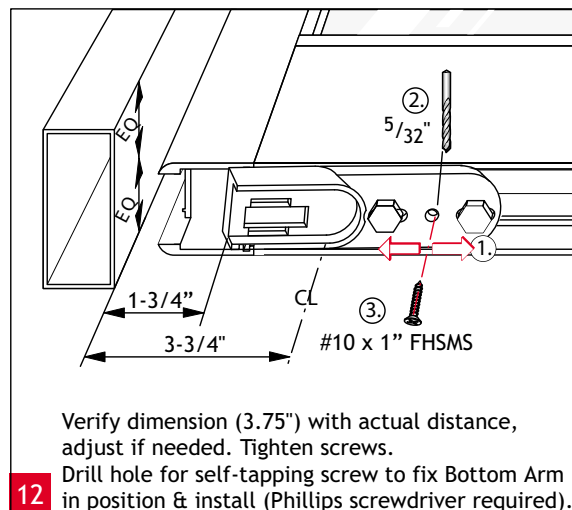
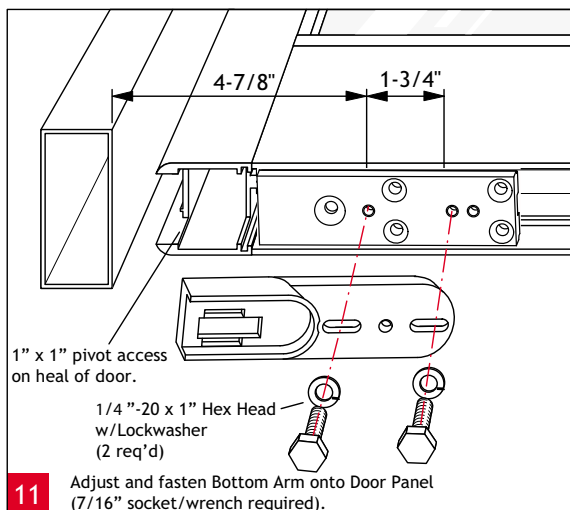
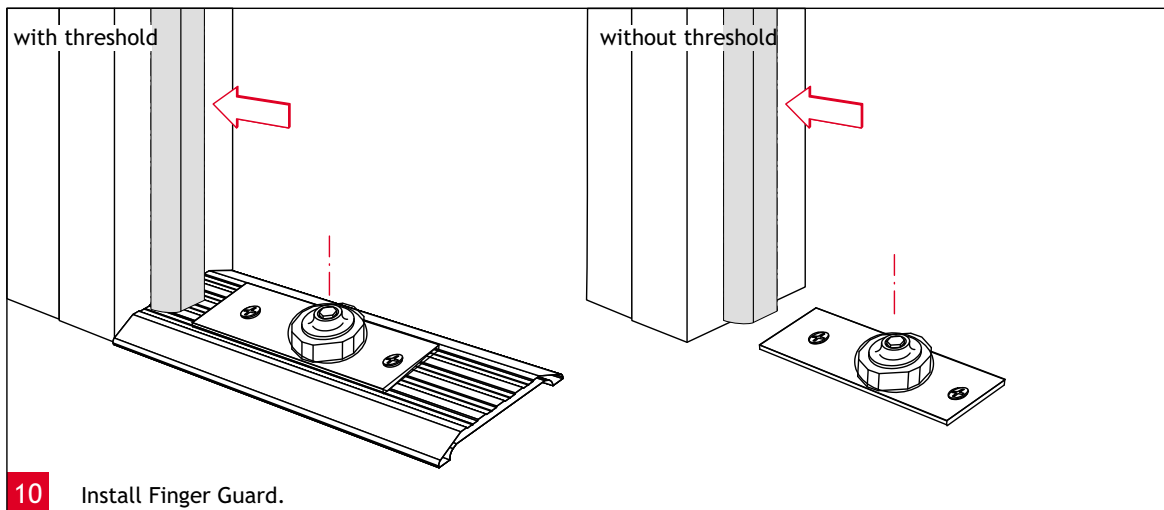
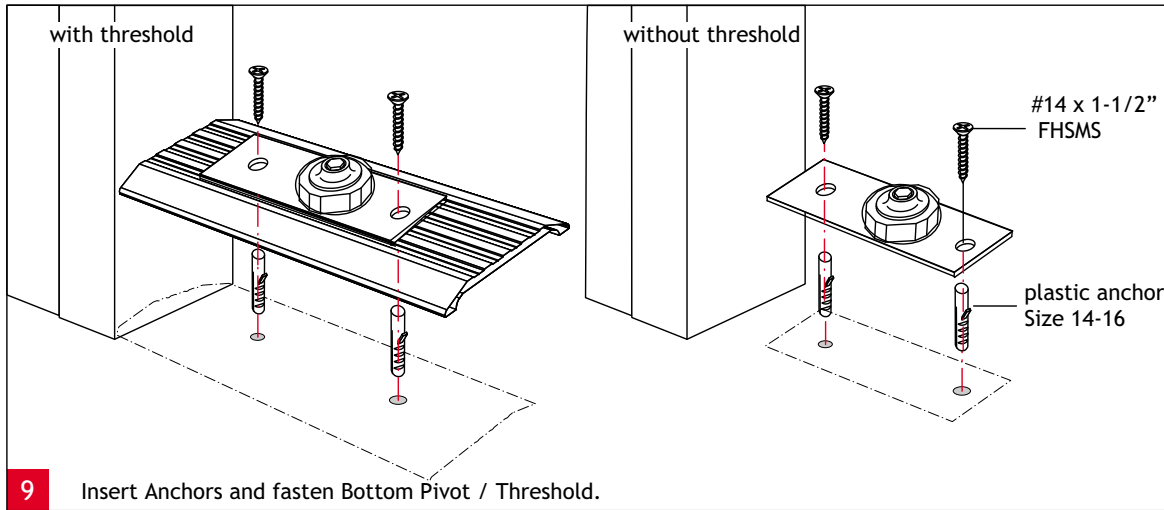
7 Place Bottom Pivot on floor. Verify position by plumbline from operator spindle to centerline of pivot.



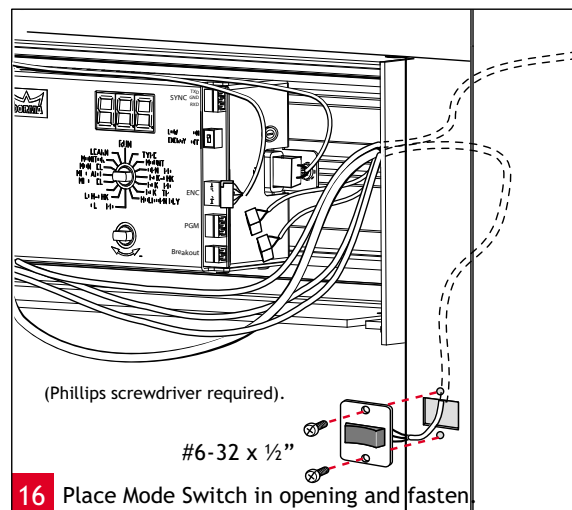
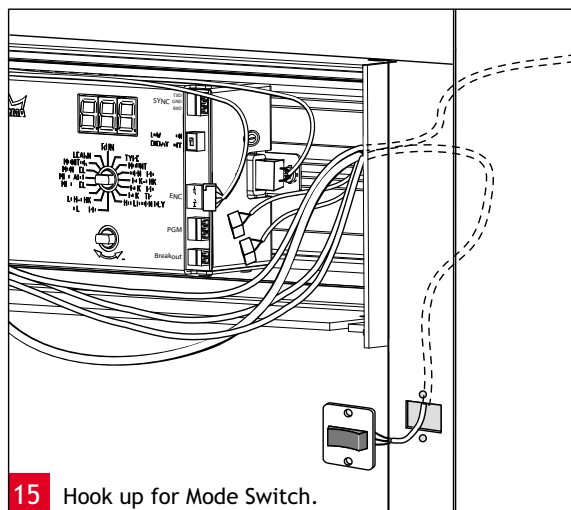
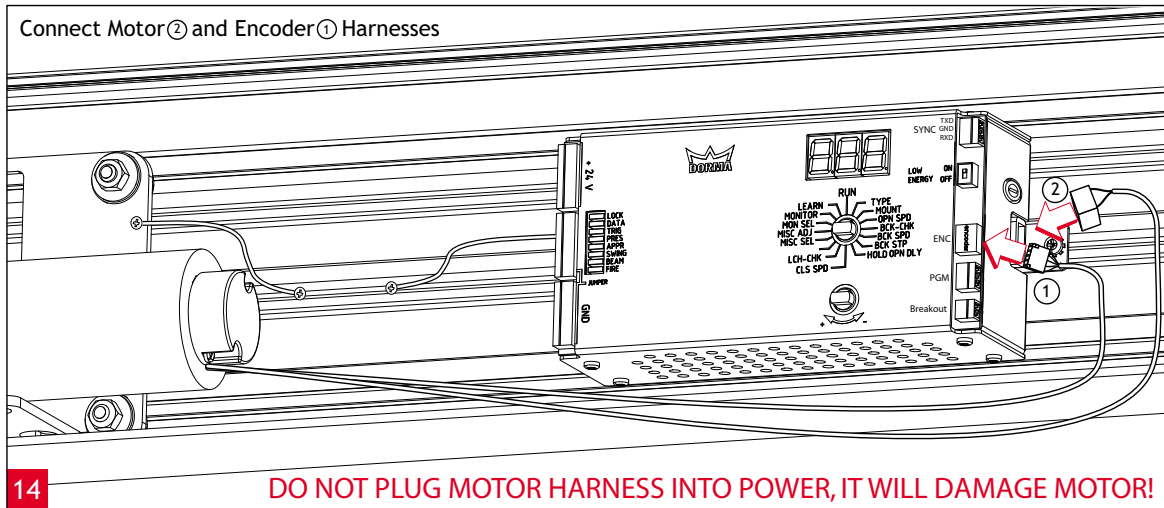
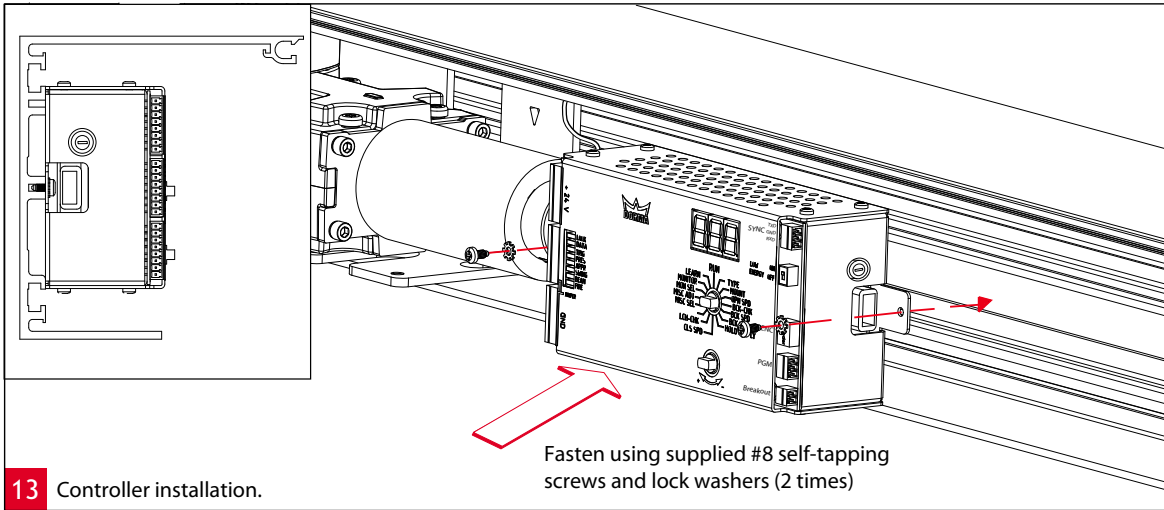
8 Mark holes for Bottom Pivot / Threshold and drill.

Section A: Mount the operator

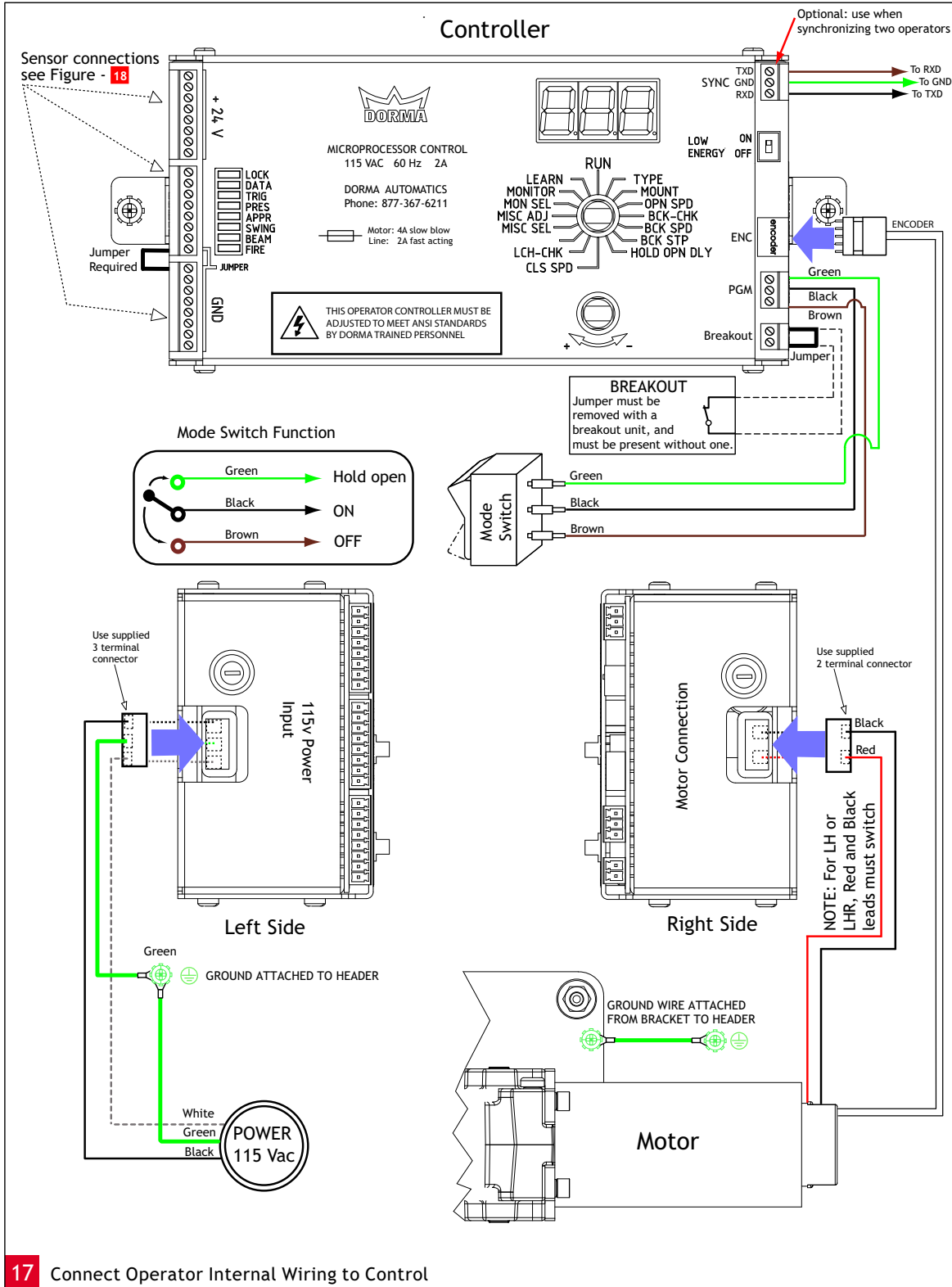
A



Section A: Mount the operator



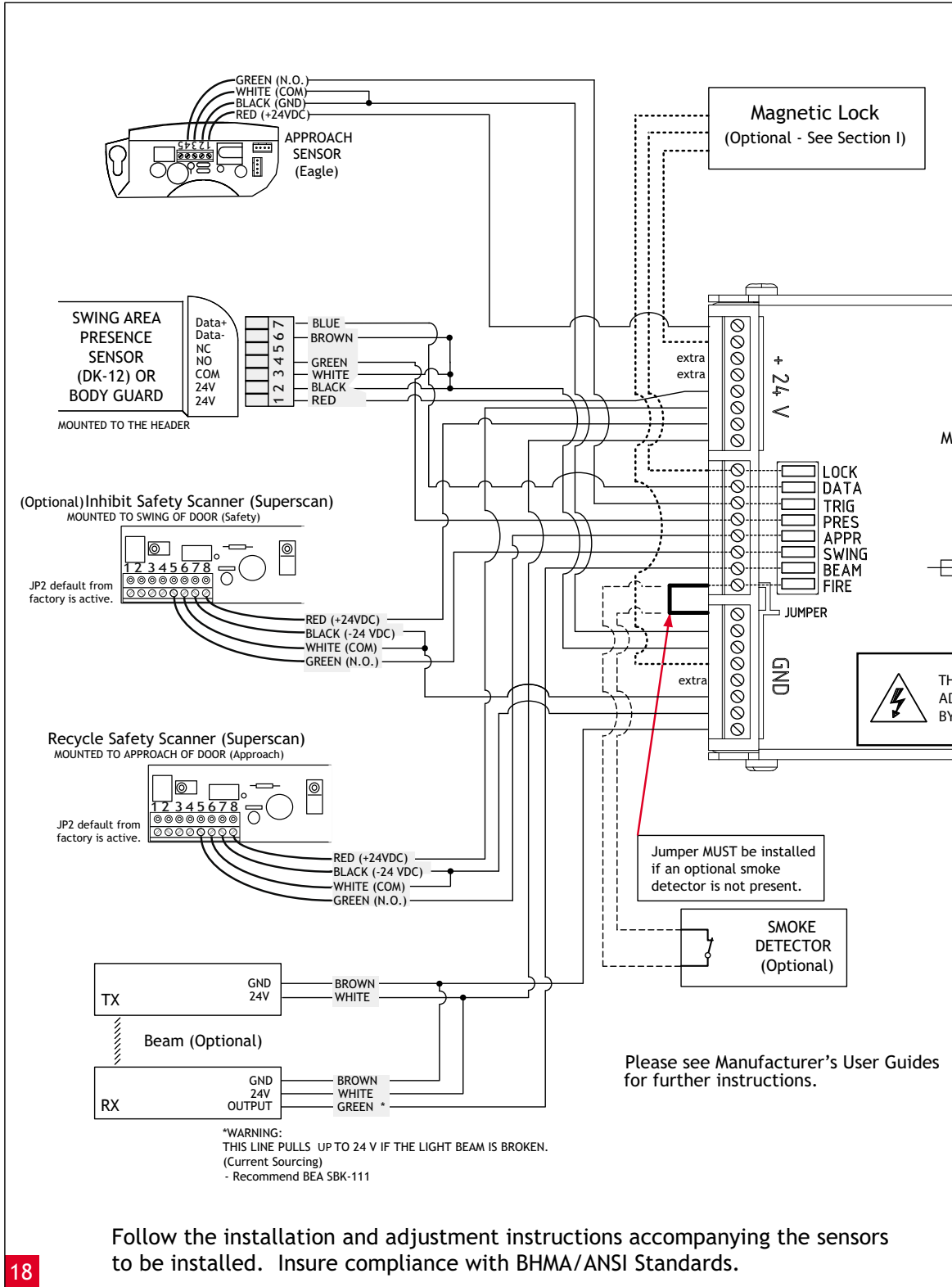
Section B: Connecting the Controller and Sensors



B

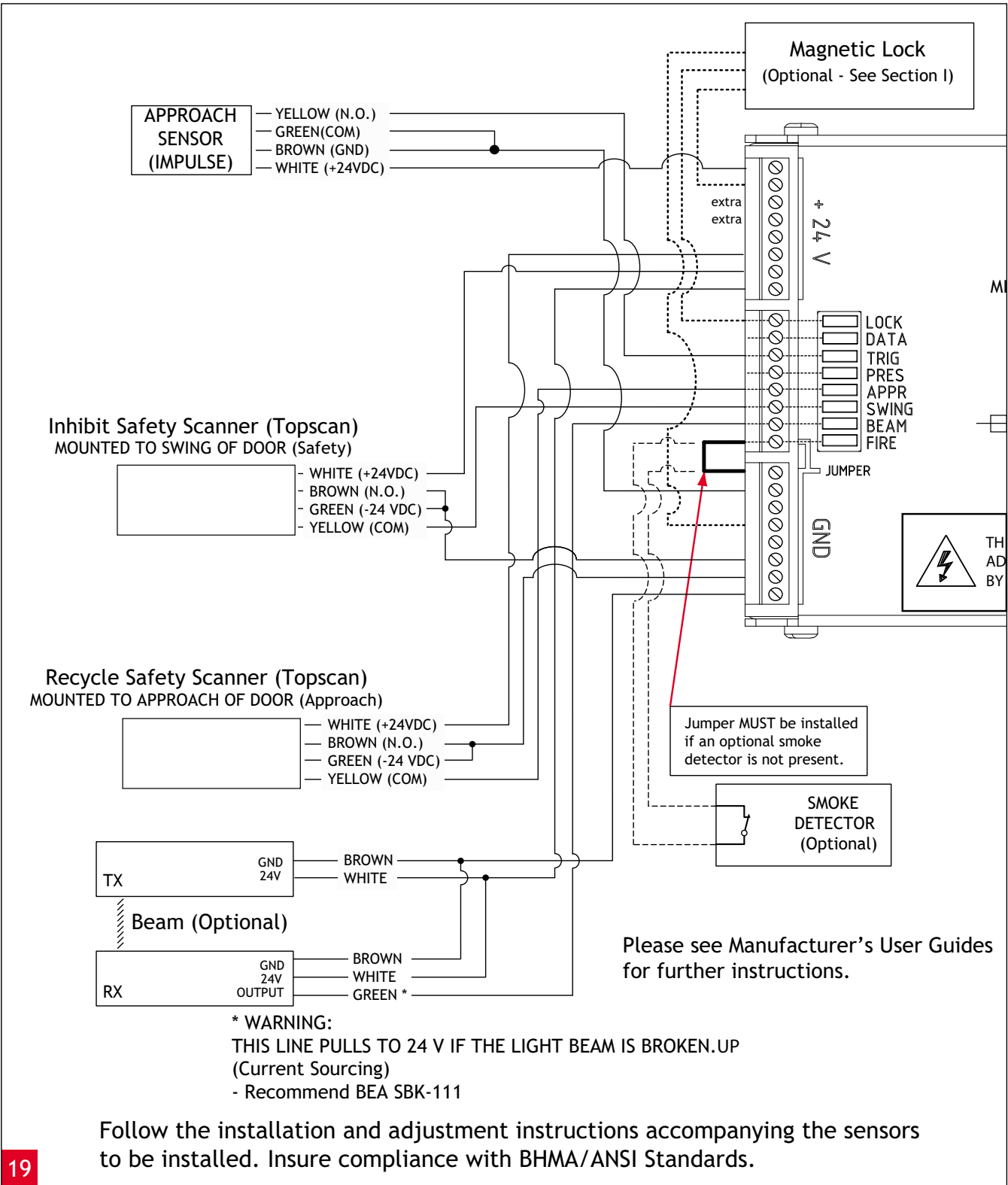
17 Connect Operator Internal Wiring to Control

Section B: Connecting the Controller and Sensors (BEA)

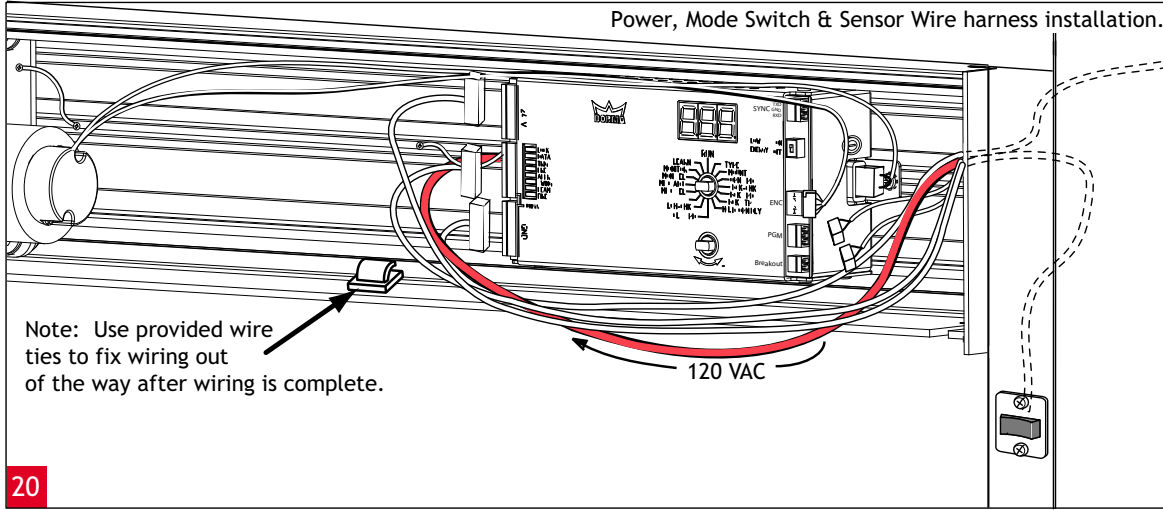


Section B: Connecting the Controller and Sensors (Bircher Reglomat)

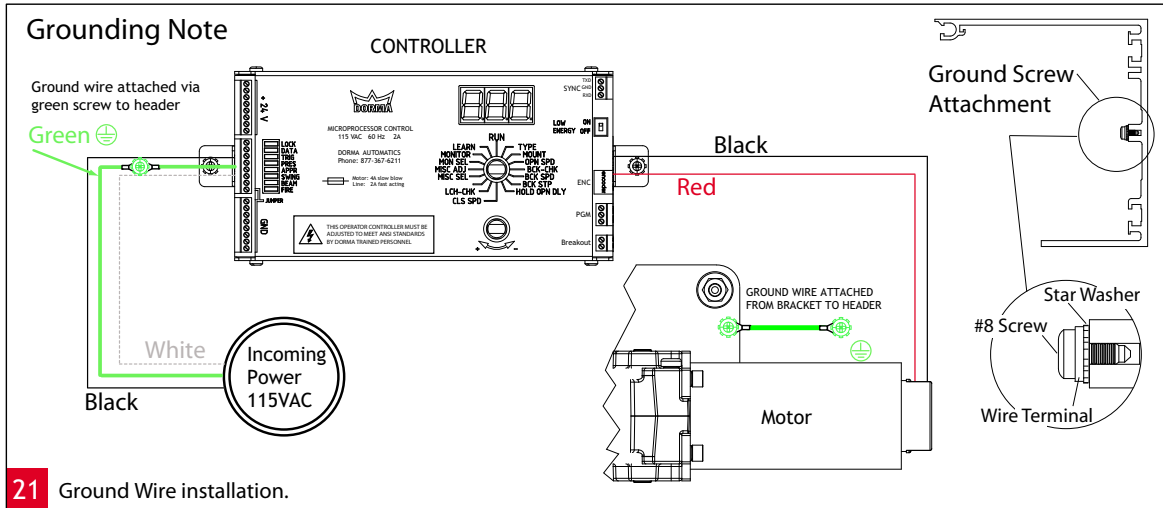
B



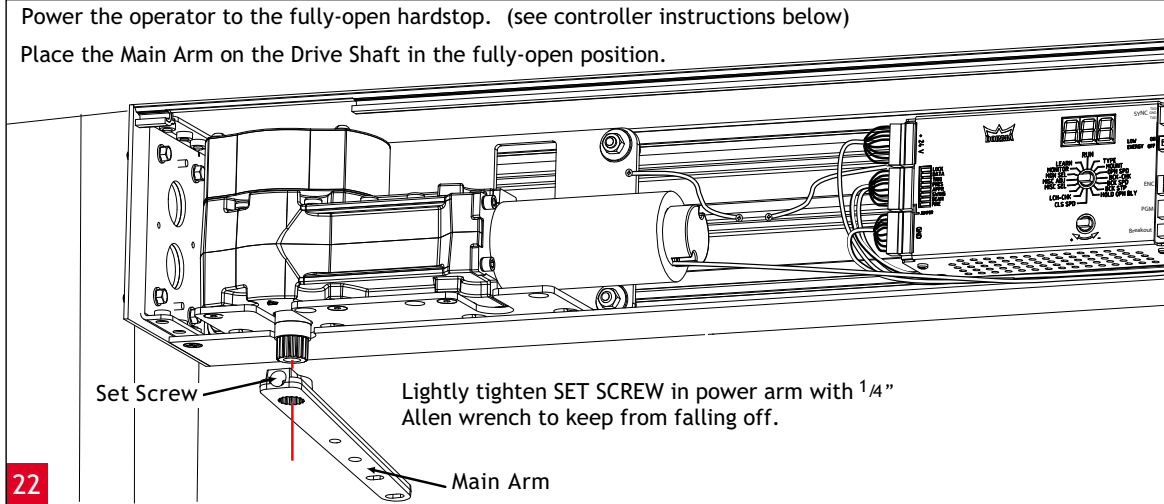
Section B: Connecting the Controller and Sensors



B



Section C: Power the Operator to Hardstop



Using the Controller to Power the Operator to Hardstop

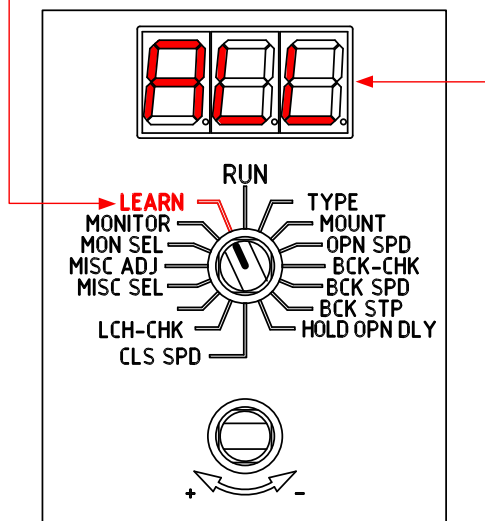
The purpose of this feature is to drive the operator to the fully-open hardstop. It is also used to load the operator spring during the installation.

Basic Requirements

- All cables are connected.
- Swing area is clear of obstacles
- Mode switch in position "OFF".
- Controller must have "Low Energy Switch" in "OFF" position.
- Power connected.

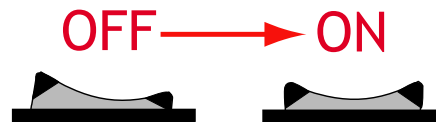
Start-Up

- Turn selector knob to "LEARN".



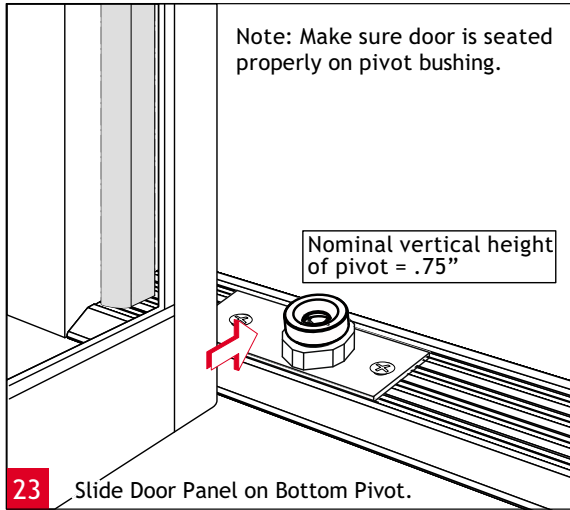
- The display will read "ALL".

- Turn mode switch from "OFF" to the "ON" position.

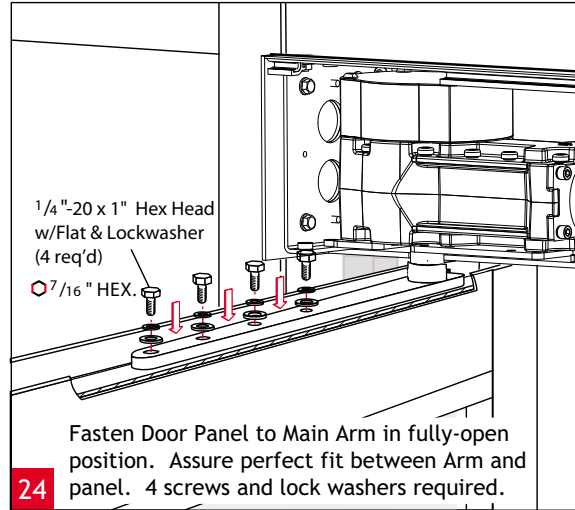


- The operator pinion will now begin turning slowly in the open direction, and stop indefinitely at the hardstop.
- Connect the arm to the operator pinion with the door opened to the desired fully open position.
- When installation procedure is complete, turn the mode switch to the "OFF" position to power down the operator and close the door.

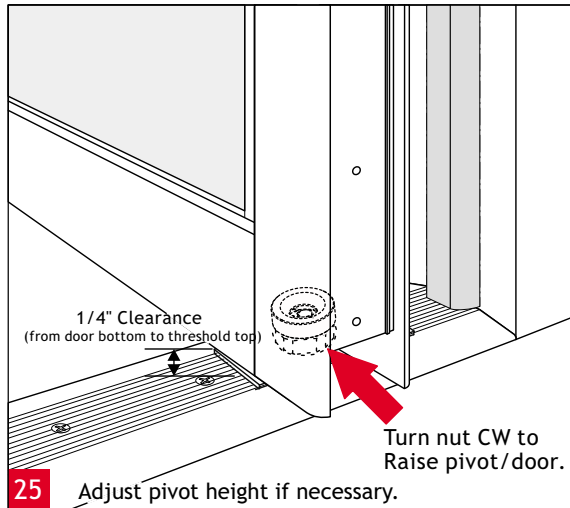
Section D: Mount the door



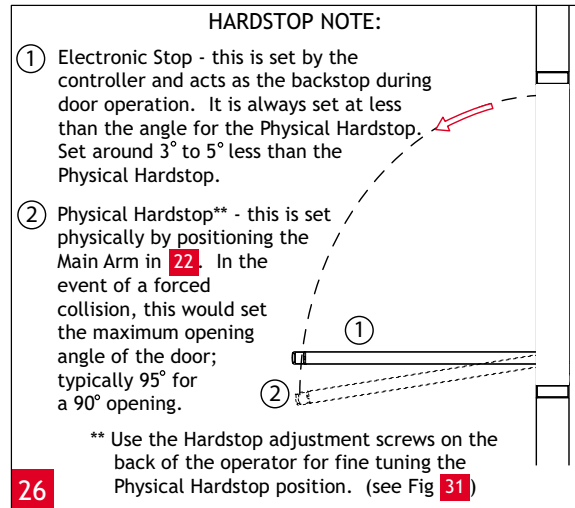
23 Slide Door Panel on Bottom Pivot.



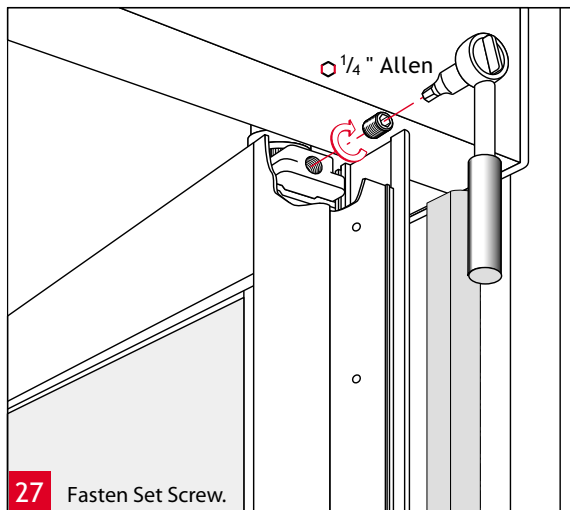
24 Fasten Door Panel to Main Arm in fully-open position. Assure perfect fit between Arm and panel. 4 screws and lock washers required.



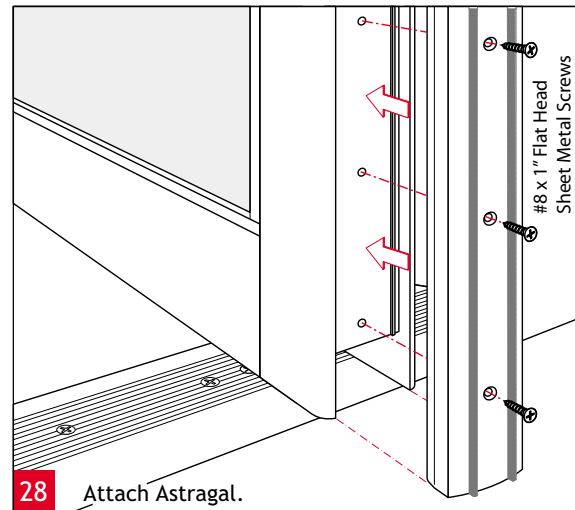
25 Adjust pivot height if necessary.



26 HARDSTOP NOTE:

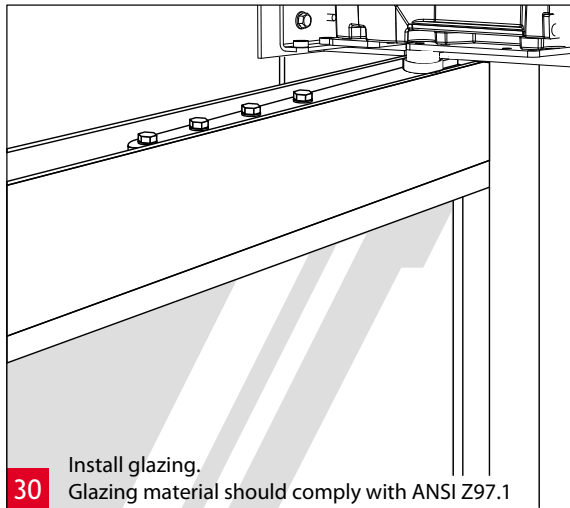
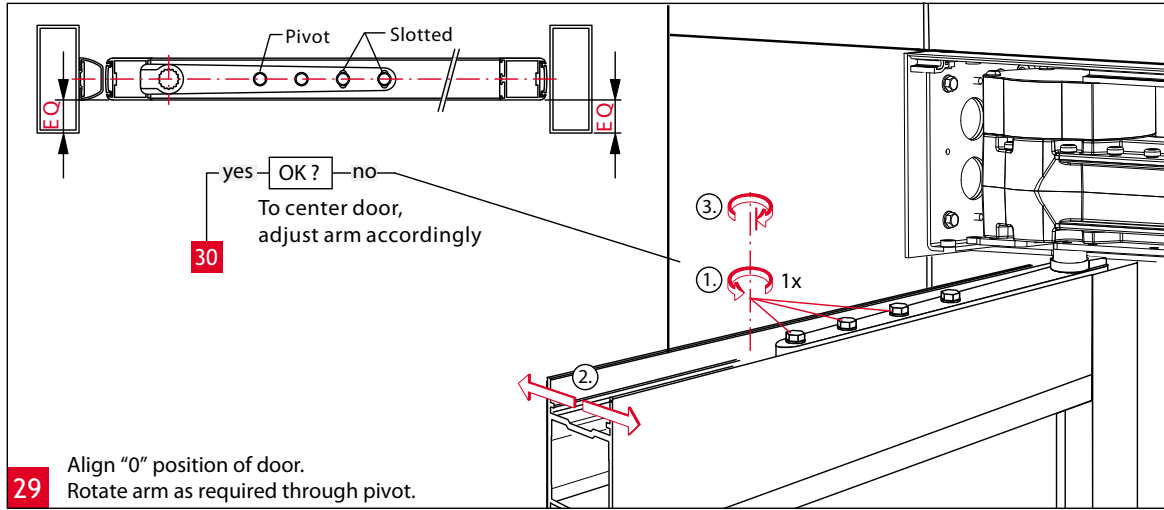


27 Fasten Set Screw.

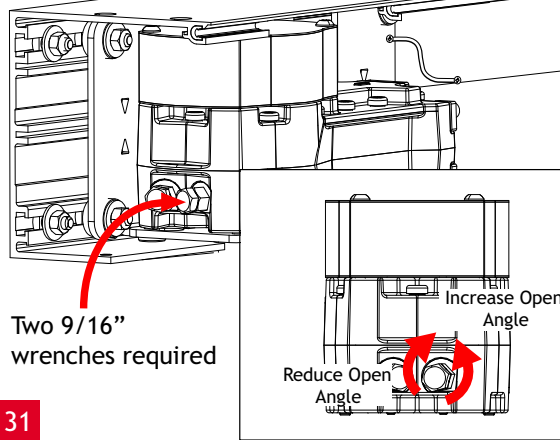


28 Attach Astragal.

Section D: Mount the door



Fine tuning the Hardstop Position



TURN THE MODE SWITCH TO "OFF"

OFF



Passive Braking Safety Check

1. Manually open door from Latch Stop to just past the desired Back-Stop. Door shouldn't be too hard to open (15-20 lbs.). Release door. Door should close slowly to 0 degree position. (fully closed)

Section E: Basic Set-Up

The purpose of the initial set-up is to bring the ED400 to a point where it can open the door. If the door panel is to be mounted, please refer to Section B.

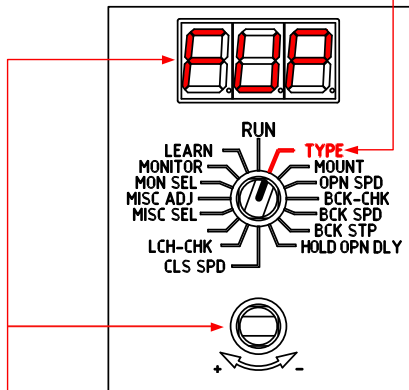
Preparation for Initial set-up

Basic Requirements

- All cables are connected.
- Swing area is clear of obstacles
- Mode switch in position "OFF".
- Controller must have "Low Energy Switch" in "OFF" position.
- Power connected.

Start-Up

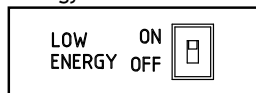
- Turn selector knob to "TYPE".



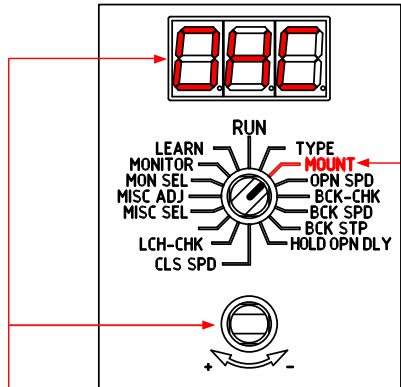
- Turn dial knob to select "Low Energy", "Power Assist", or "Full Power". The corresponding 3 letter codes are "LE", "PA", and "FUP".

The example above shows "Full Power".

NOTE: for "Low Energy" operation, turn the Low Energy switch to "ON".

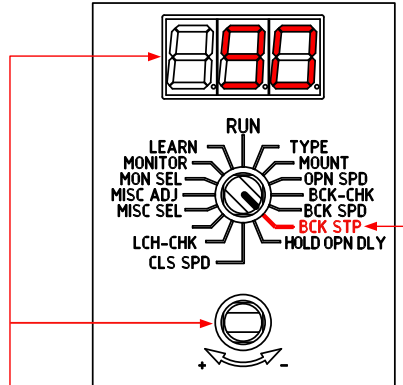


- Turn selector knob to "MOUNT".



- Turn dial knob to select Overhead Concealed Mount "OHC".

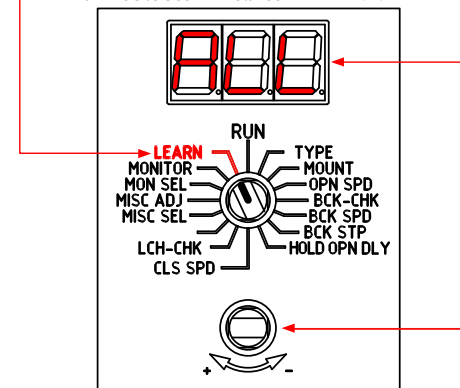
- Turn selector knob to "BCK STP".



- Turn dial knob so that display shows "90". This is your back stop in degrees.

NOTE: If the door is to be set to an angle other than 90°, measure the angle the door will open to and input that value in the step above.

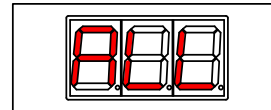
- Turn selector knob to "LEARN".



- Turn dial knob so that display shows "ALL". This will cause a full Learn Cycle.
- Turn mode switch from "OFF" to the "ON" position.



- The control box display will show "ALL", indicating that a Learn Cycle is in progress.

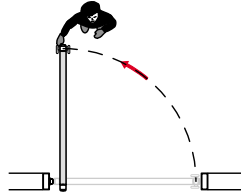


The door will stay closed for 10 seconds to let you get into position to catch it at the desired Back Stop.



Section E: Basic Set-Up

- The door will begin to open slowly. Stop the door at the desired Back Stop position until it begins to close back to latch position.



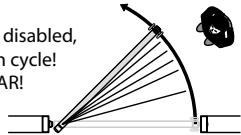
Please let the door close. Stand clear.
Let go of the door and
MOVE OUT OF THE WAY!



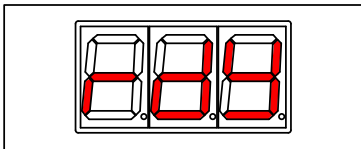
- The door will now SLAM open to 45°, to measure it's inertia.



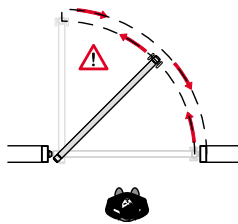
Sensors are disabled,
during learn cycle!
STAND CLEAR!



- When the controller has learned all of it's self-adjustments, the display will show "rdY".



- The door will now cycle open and close continuously. The door has reduced obstacle detection, DO NOT INTERFERE WITH DOOR!



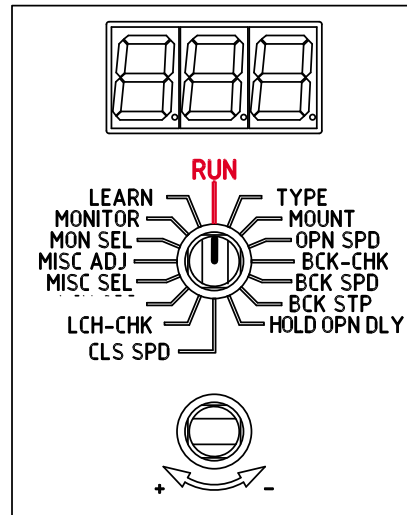
- If you are satisfied with the door's operation, turn the mode switch to the "OFF" position and allow the door to close completely.

OFF



NOTE: If door motion is undesirable, or if adjustments need to be made to meet ANSI guidelines, refer to Section G to make additional changes (Open Speed, Back Check angle, Deceleration, Close Delay, Closing Speed, etc.)

- Turn the selector knob to "RUN".



- The display will show the present state of the opener.

CODE	STATES	DESCRIPTION
C L d	Closed	Door is at Latch-Stop
O P n	Opening	Opener is opening to Back-Stop
P. A.	Power Assist	User may open door with opener's assistance
O P d	Opened	Opener is holding door at Back-Stop
C L r	Closer	Acts as a passive closer, letting user open door manually, closing the door
C. O b	Closing Obstacle	Opener reacted to obstacle during closing cycle
O. O b	Open Obstacle	Opener reacted to obstacle during opening cycle
A L L	Learning	Opener is learning
C y C	Cycle	Opener is going through a learning cycle
r s t	Reset	Opener is being reset

NOTE: If there is an exception to it's operation, it will show a code for it. If an exception code is displayed, see ED400 Controller Manual for an explanation.

- Test the opener's operation with the sensors.
- Test that the door meets ANSI standards.
- FOR ADDITIONAL SET-UP OPTIONS, SEE THE ED400 CONTROLLER MANUAL. (www.dorma-usa.com)**

The door is now ready for normal operation.

Section F: Customized Set-Up

The purpose of the customized set-up is to change the default ED400 settings. This can be done during or after a completed learn cycle.

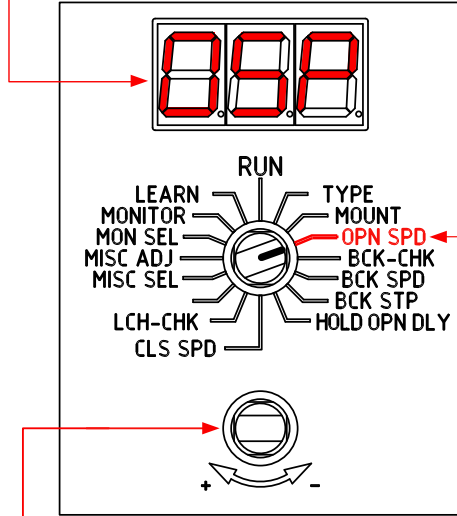
Parameters

- Open speed to Back-Check
- Back-Check angle
- Deceleration through Back-Check
- Back-Stop angle
- Close Delay
- Closing speed to Latch-Check
- Latch-Check angle
- Closing speed through Latch-Check

- Using the example to the right and the table below, make parameter changes as desired. When finished, return the selector knob to “RUN”, or do another “LEARN” Cycle if the door’s motion has been poorly affected.
- For further Set-Up options contained in “MONITOR”, “MON SEL”, “MISC ADJ”, and “MISC SEL”, please consult the ED400 Controller Manual. It can be found at the DORMA Website: www.dorma-usa.com .

Open Speed to Back-Check (example)

- Turn selector knob to “OPN SPD”.
- The display will show the code and value.



- Turn the dial knob to select the desired speed in DEGREES/SECOND.



Selector	Code Meaning	“Dial” Knob Function	DISPLAY	UNITS
OPN SPD	Open Speed	increment/decrement	Opening speed to Back-Check	°/s
BCK-CHK	Back-Check	increment/decrement	Back-Check angle	°
BCK SPD	Back-Speed	increment/decrement	Opening speed to Back-Stop, or Off	°/s
BCK STP	Back-Stop	increment/decrement	Back-Stop angle	°
HOLD OPN DLY	Hold Open Delay	increment/decrement	Time at Back-Stop	s
CLS SPD	Close Speed	increment/decrement	Max closing speed to Latch-Check	°/s
LCH-CHK	Latch-Check	increment/decrement	Latch-Check angle	°

RESETTING THE CONTROLLER

- To RESET the controller, turn the selector knob to “MISC SEL” and turn the dial knob until “rst” is displayed. Now turn the selector knob to “MISC ADJ”, and turn the dial knob from “ON”, ONE click clockwise to “OFF”. The controller has now been reset.

Section G: Setting Up Simultaneous Doors

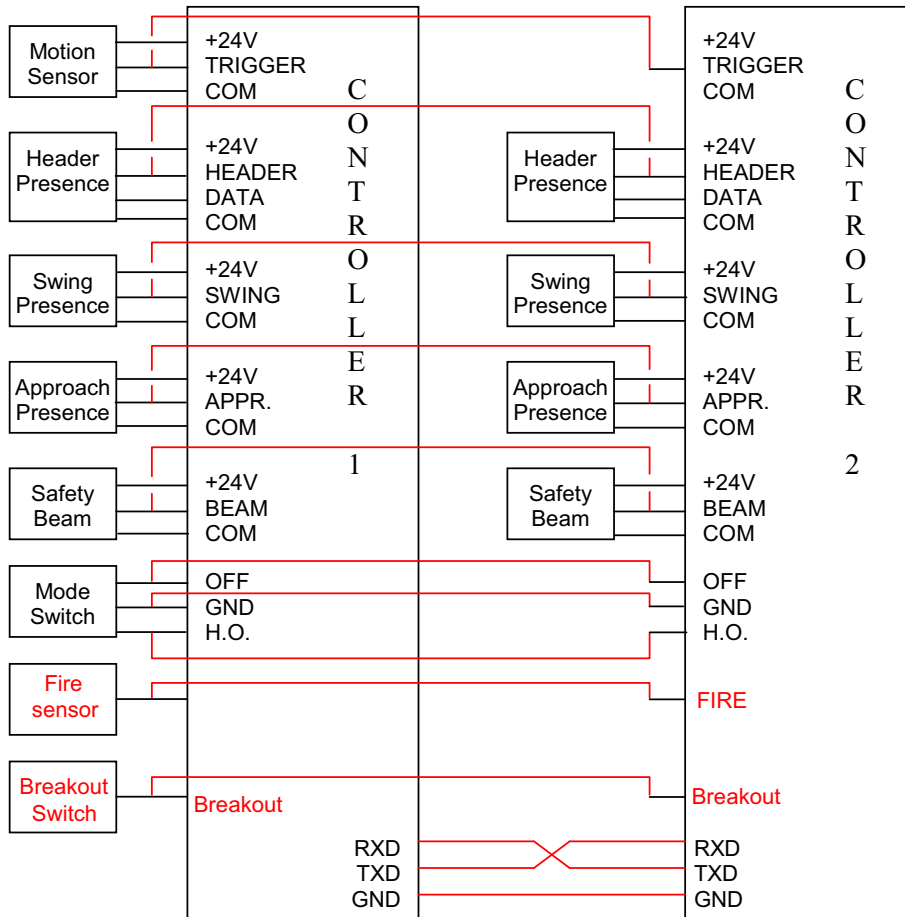
The purpose of this setup is to synchronize two side-by-side doors for simultaneous operation. This operator is not compatible with over-rebated doors.

Connecting the Controllers

- Connect the grounds of the two controllers together.
- Connect the motion sensor to both controllers in parallel.
- Connect the presence sensor to both controllers in parallel, except for the Data Line.
- Let each controller power its presence sensors (either controller can power the motion sensor).
- Connect a single program switch to both doors in parallel.

- Connect the RXD line of each controller to the TXD line of the other controller.
- If you use the “Fire” input, connect the Fire sensor to both controllers.
- If you use the “Breakout” input, connect the Breakout switch to both controllers.
- Connect both controllers to the same AC power source.
- Program the two controllers identically (Refer to Sections E and F).

(Continued on following page)

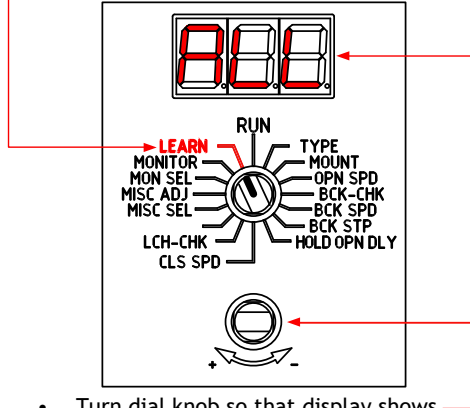


Section G: Setting Up Simultaneous Doors

- Run a “Learn” cycle on both controllers. It’s easier if they are done separately.

If it’s desired that the doors open and/or close differently, continue on this side of the page. If not, skip to the top of the column to the right.

- Turn selector knob to “LEARN”.



- Turn dial knob so that display shows “ALL”. This will cause a full Learn Cycle.
- Open one of the doors and allow it to close. As it’s closing, flip the program switch from “OFF” to “ON”.



- The door that was closed will start a Learn Cycle, and the one that you opened will finish closing and then start a Learn Cycle. This will give you a chance to stop the first door at Back-Stop, and then walk to the second door and stop it at Back-Check when it gets there.
- When both openers are ready, trigger an automatic opening and, as the doors are opening, block one of doors. Turn the ON/OFF/HO switch to “OFF” position, then back to the “ON” position.
- When they start moving again, block the other one. Turn the ON/OFF/HO switch to “OFF” position, then back to the “ON” position. This will let each opener tell the other of having detected an obstacle, so that each will know of the presence of a second door. Knowing that, the openers will extend the Hold-Open time after an obstacle, to ensure that both doors remain in synchronization afterwards.

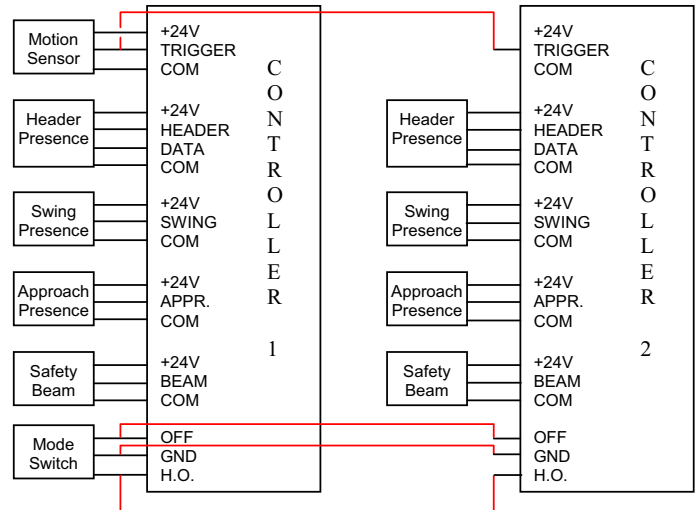


Section H: Setting Up Semi-Independent Doors

The purpose of the this set-up is to synchronize two side-by-side doors for semi-independent operation. This means that the doors will open and close at the same time, but will react to obstacles independently.

Connecting the Controllers

- Program the two controllers identically (for coordinated doors - one must close first - increase slightly the Closing Delay of the controller for the door that must close last)
- Connect the grounds of the two controllers together.
- Connect one door’s presence sensor to the controller for that door.
- Connect the motion sensor to both controllers in parallel
- Let each controller power its presence sensors (either controller can power the motion sensor)
- Connect a single program switch to both controllers in parallel.
- Power the controllers from the same AC power source.



Section I: Magnetic Locks

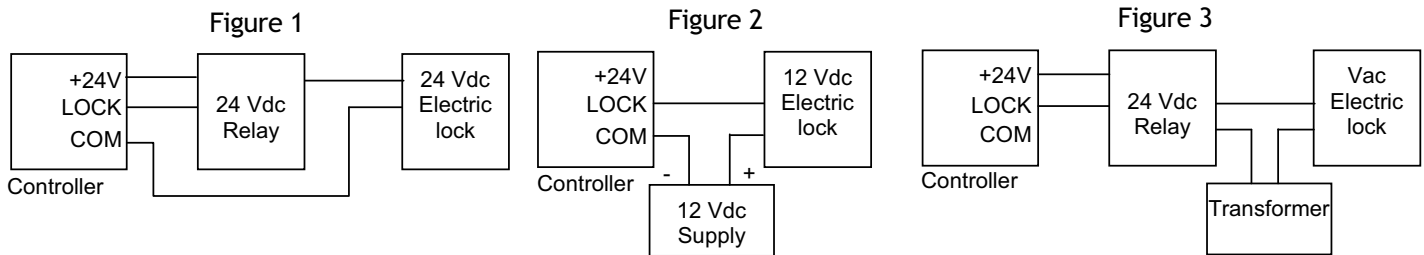
The purpose of this section is to setup an electric lock. The controller may power an electric strike through a relay or access control device.

Connecting a Magnetic Lock

- If the installation has a 24 Vdc electric strike plate (electric lock), the controller is able to power it directly. (See Figure 1)
- For DC locks of other voltages, you will need a separate power supply. (See Figure 2)
- For AC locks, you will need a separate transformer and a relay. (See Figure 3)

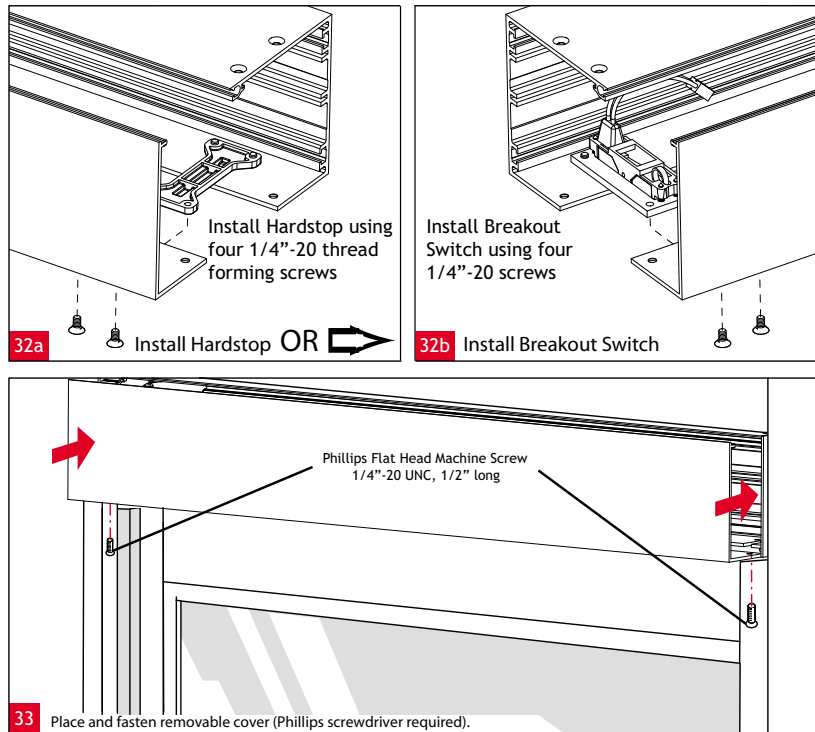
- The “Open Delay” must be set per manufacturer’s specification.
- The controller drives the electric lock from when it receives a valid trigger (at Latch-Stop), while waiting to open (because of a non-zero Open Delay, or because the swing area is occupied) and until some time after the door has begun to open. It also drives it if the door reaches Latch-Stop as it is retriggered.
- The LOCK LED lights up while the controller drives an electric lock, whether or not a lock is actually present.

NOTE: For wiring locations on controller, see Section B, Figure 18.



Section J: Final check/ Install Hardstop or Breakout Switch

- Test all sensors along with door operation to ensure they are working properly.
- Provide safety list similar to that provided by AAADM.
- Make sure that all electrical wiring is connected correctly and away from moving parts.



Section K: Technical Data

Operator

Line Input	100 to 125V _{AC} , 60 Hz, 2 A max.
Power supply for external sensors	24 V _{DC} , 0.8 A
Fuse	2 A fast blow
Ambient Temperature	77 °F(25 °C)

Adjustments

	min.	max.
Opening time to Back-Check	2.0 s	7 s
Closing time to Latch-Check	2.5 s	7 s
Delay beforeOpening	0 s	3 s
Delay beforeClosing	1 s	25 s
Back-Stop Angle	60°	120°
Back-Check-Angle	50°	120°
Latch-Check-Angle	10°	30°
Wall-Mask-Angle	60°	115°
Extra Power Hold Torque	40 ft-lb	240 ft-lb

Door

	min.	max.
Door height	84"	102"
Door weight	60 lbs (27 kg)	320 lbs (145 kg)
Door mount - single	OCM	(Overhead Concealed Mounting)
Door width	37"	49"
Door mount - pair	OCM	(Overhead Concealed Mounting)
Door width	62"	98"

Controller Technical Data

Power input	
Connector	2-piece terminal block
Line Input	100 to 125Vac, 60 Hz, 2 A max.
Fuse	2 A, fast (5mm x 20mm)
DC power out	24 Vdc, 800 mA out, always on, short circuit protected, not regulated
Control inputs	
Connector	2-piece terminal blocks
Active low inputs:	Open-Trigger (radar or push plate) Presence, jamb mounted sensor Safety Side, door mounted sensor Approach Side, door mounted sensor Hold-Open Off Safety Beam Sensor
Polarity	active low or closed contact to ground
Active threshold	< 0.8 Vdc
Inactive threshold	> 2.0 Vdc
Closed contact current	10 mA surge, 1 mA steady state
Open circuit voltage	5 V
ESD protection	±5 KV, human body model
Overvoltage protection	±5 Vdc or 5 Vac, continuous, with respect to GND
Smoke (Kill) link input:	
Polarity	normally closed contact to GND
Closed contact current	2 mA
ESD protection	±5 KV, human body model
Overvoltage protection	±5 Vdc continuous, with respect to GND
Indicators	1 LED/Sensor, 3-Digit Display

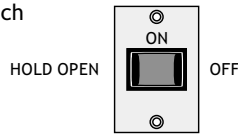
Terminal Designations

1-8	+24V	
9	Electric Strike	-Output
10	Data (Zone)	-Output
11	Trigger (or radar or push plate)	-Input
12	Presence (jamb mounted sensor)	-Input
13	Safety Side (door mounted sensor)	-Input
14	Approach Side (door mounted sensor)	-Input
15	Safety Beam	-Input
16	Kill (Smoke) link	-Input
17-24	GND	
Program switch		
3	Hold Open	- Input
2	GND	
1	OFF	- Input
Breakout		
1	Breakout Switch	-(N.C.)
2	GND	
Motor		
1	M+	
2	M-	
Power Input		
1	Neut.	
2	Earth Ground	
3	Hot	100 to 125 VAC, 60 Hz, 2 A max.

Section K: Technical Data

Operation Instructions

1. Program Switch



Switch is in position:



Continuous Open Operation
The door opens to the full opening position and remains in this position.



When an activation signal is detected from the motion detector the door opens to the full opening position. After the hold open delay expires the door closes.



The door stops immediately when the switch is placed in this position and closes slowly under springpower. The closing speed is limited. The user may open the door manually.

Restart after power failure

When the power is turned ON, the ED400 goes back to normal operation.

2. Care and Maintenance

Prior to first use and periodically thereafter, but at least once a year, the system must be checked and maintained by a qualified, knowledgeable technician. During the cleaning operation the Program Switch must be either in the OFF or HOLD OPEN position to avoid automatic movements of the door wings. Always disconnect the appliance before servicing. The entire swing door assembly (Aluminum, Glass, Covers) can be cleaned with a moist towel and common commercial cleaners. The safety sensors are to be cleaned with a dry, soft, non-abrasive towel. The floor area near the swing door panel, including the threshold must be kept clean.

3. Self Help Troubleshooting of Problems

If the door does not open or close, check the following:

- Is the line power in order?
- Is the Program Switch in the proper position?
- Is the safety sensor path clear and clean?
- Is the door blocked by obstacles?

If all of the above check out OK call a qualified Service Technician.

ED400 MUST BE SET UP WITHIN
BHMA/ANSI STANDARDS

