



DOR-O-MATIC[®]

81460-XXX Arm and Link Assy.

**Attachment point and link length charts for surface applied
Astro-Swing, Senior-Swing, and Middle-Swing automatic
door operators with push operation.**

DOR - O - MATIC[®]

7350 W. Wilson Ave.

Harwood Heights, IL 60656

Toll Free: 1-800-543-4635

In Illinois: 708-867-7400

Admin. FAX: 708-867-0421

Engineering FAX: 708-867-1177

Printed in U.S.A.

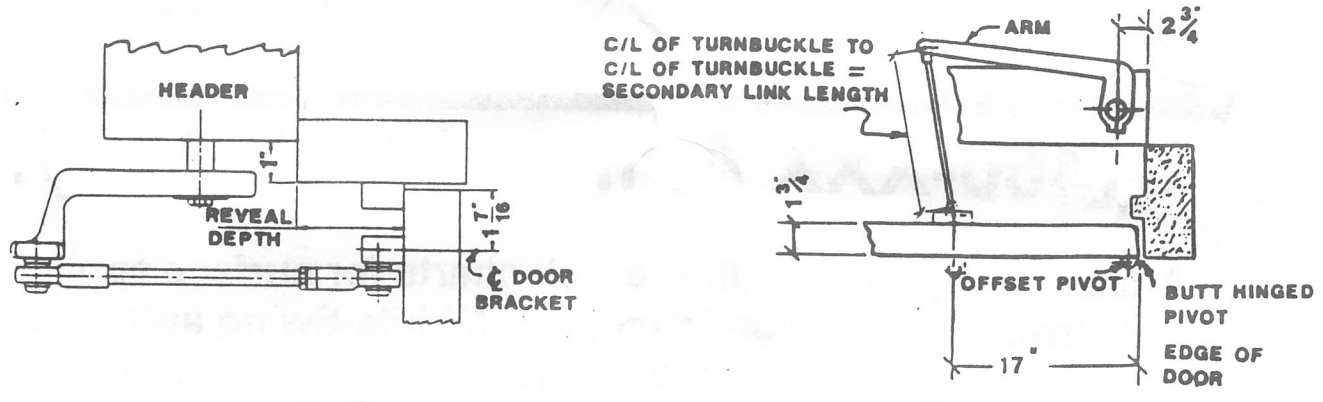
Booklet No.
81460-084

6/2/93

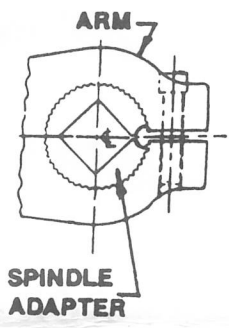
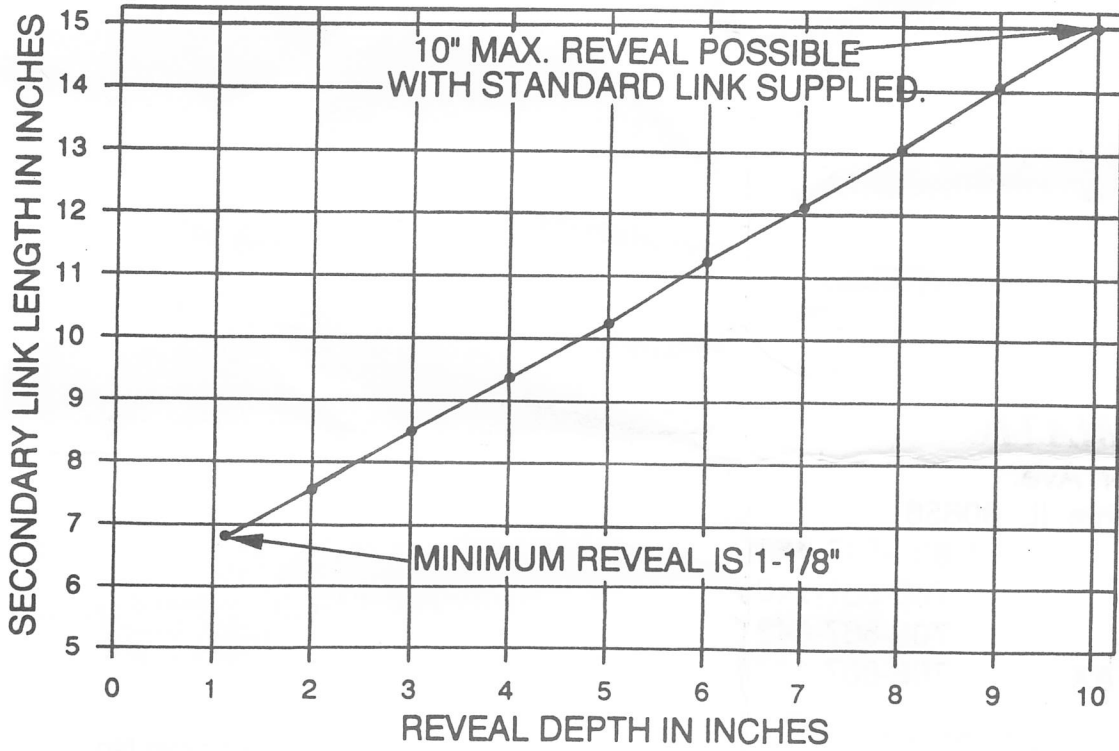
ATTACHMENT POINT AND LINK LENGTH CHART FOR SURFACE APPLIED ASTRO/SENIOR/MIDDLE-SWING OPERATORS ON OFFSET PIVOTED OR BUTT HINGED DOOR (PUSH OPERATION)

NOTE: FOR USE WITH 81460-XXX ARM AND LINK ASSEMBLY.

1. Make certain operator case is properly mounted above door as detailed below.
2. **Secondary (link) Arm length** is determined by measuring the reveal dimension (in inches), from surface of door to which arm is attached, to back surface of operator case. Using the horizontal scale, calibrated in inches and quarter inches, follow the vertical line of the reveal dimension upwards until it intersects the slanted line. Reading to the left on the vertical scale will determine the exact length between centers of the turnbuckle, self centering arm connections.



FOR SURFACE APPLIED OPERATORS WITH PUSH ARMS ON OFFSET PIVOTED OR BUTT HINGED DOORS

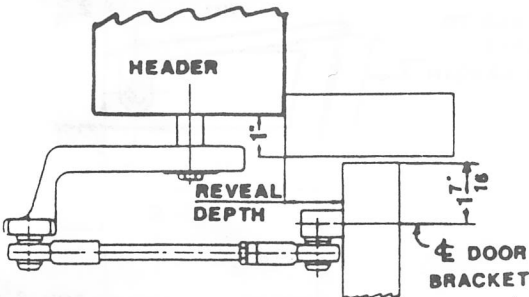


- NOTE:**
1. Adapter is factory installed so that slot is two notches off of centerline as shown
 2. Re-align adapter so that slots line up.

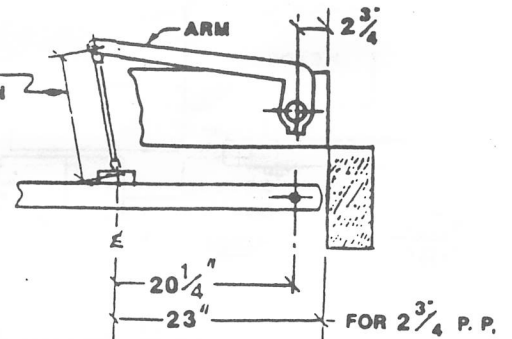
ATTACHMENT POINT AND LINK LENGTH CHART FOR SURFACE APPLIED ASTRO-SWING OPERATORS ON 2-3/4" CENTER PIVOTED DOOR (PUSH OPERATION)

NOTE: FOR USE WITH 81460-XXX ARM AND LINK ASSEMBLY.

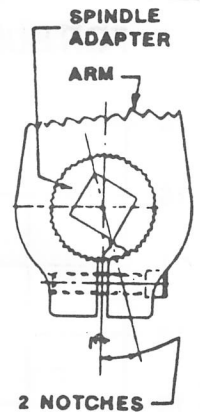
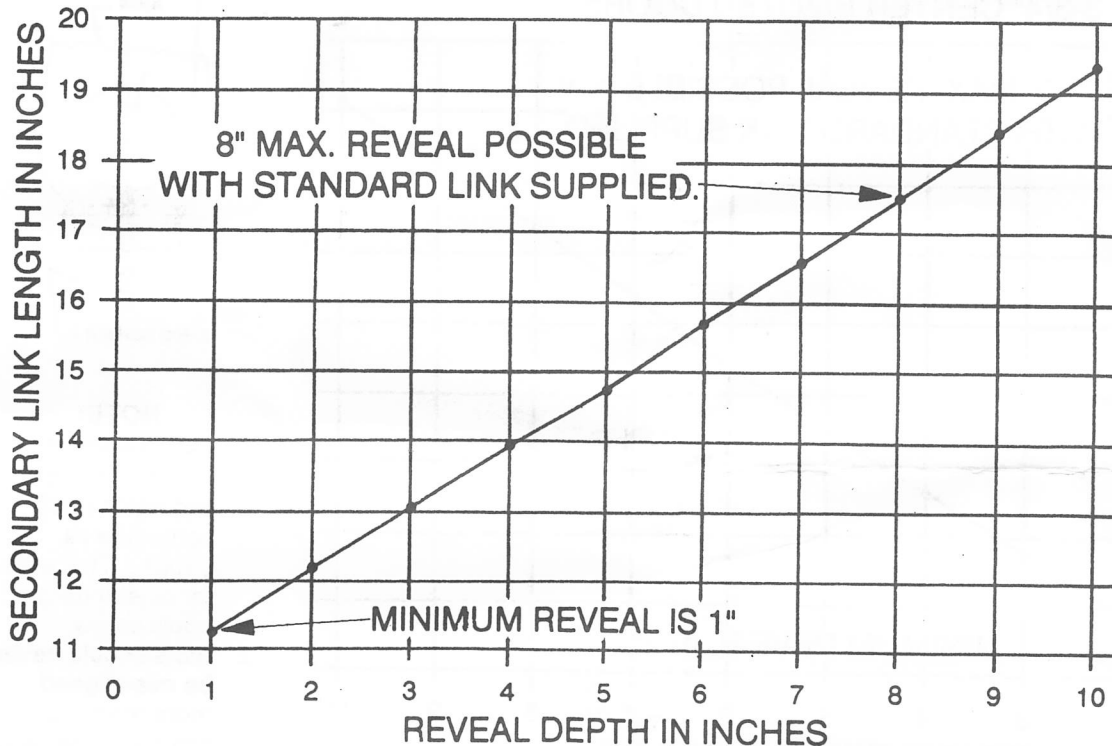
1. Make certain operator case is properly mounted above door as detailed below.
2. **Secondary (link) Arm length** is determined by measuring the reveal dimension (in inches), from surface of door to which arm is attached, to back surface of operator case. Using the horizontal scale, calibrated in inches and quarter inches, follow the vertical line of the reveal dimension upwards until it intersects the slanted line. Reading to the left on the vertical scale will determine the exact length between centers of the turnbuckle, self centering arm connections.



C/L OF TURNBUCKLE TO
C/L OF TURNBUCKLE =
SECONDARY LINK LENGTH



FOR SURFACE APPLIED OPERATORS WITH PUSH ARMS ON 2-3/4" CENTER PIVOTED DOORS

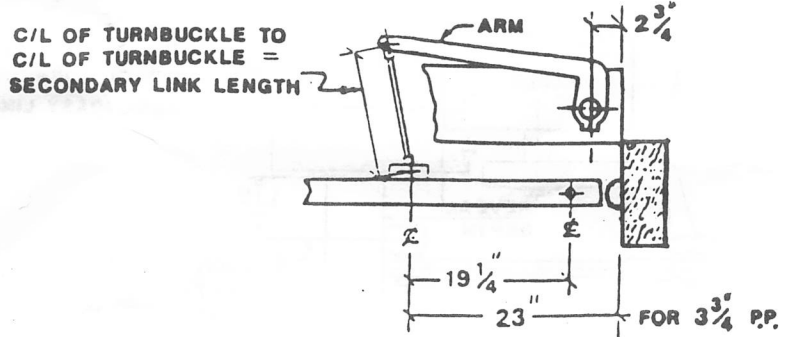
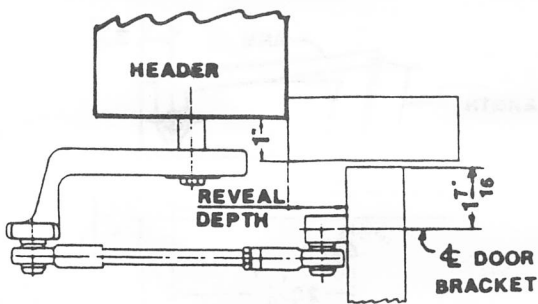


- NOTE:**
1. Slot in adapter is factory installed two notches off centerline as shown. This works for all standard applications.
 2. Slots should never be mis-aligned more than five notches either way.

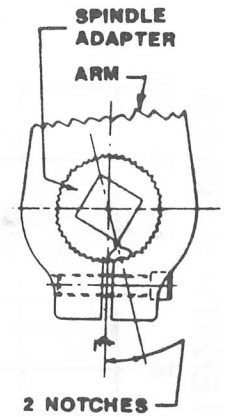
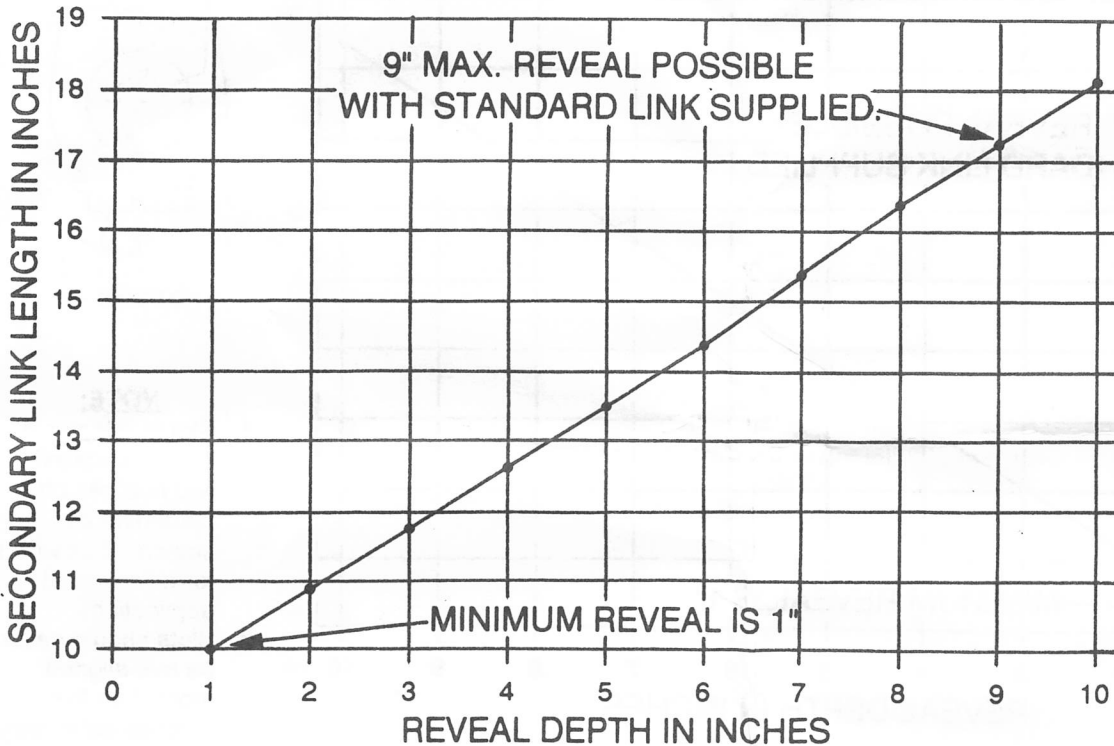
**ATTACHMENT POINT AND LINK LENGTH CHART
FOR SURFACE APPLIED ASTRO-SWING OPERATORS ON
3-3/4" CENTER PIVOTED DOOR (PUSH OPERATION)**

NOTE: FOR USE WITH 81460-XXX ARM AND LINK ASSEMBLY.

1. Make certain operator case is properly mounted above door as detailed below.
2. **Secondary (link) Arm length** is determined by measuring the reveal dimension (in inches), from surface of door to which arm is attached, to back surface of operator case. Using the horizontal scale, calibrated in inches and quarter inches, follow the vertical line of the reveal dimension upwards until it intersects the slanted line. Reading to the left on the vertical scale will determine the exact length between centers of the turnbuckle, self centering arm connections.



**FOR SURFACE APPLIED OPERATORS WITH PUSH ARMS
ON 3-3/4" CENTER PIVOTED DOORS**



- NOTE:**
1. Slot in adapter is factory installed two notches off centerline as shown. This works for all standard applications.
 2. Slots should never be mis-aligned more than five notches either way.

81460-084
6/2/93