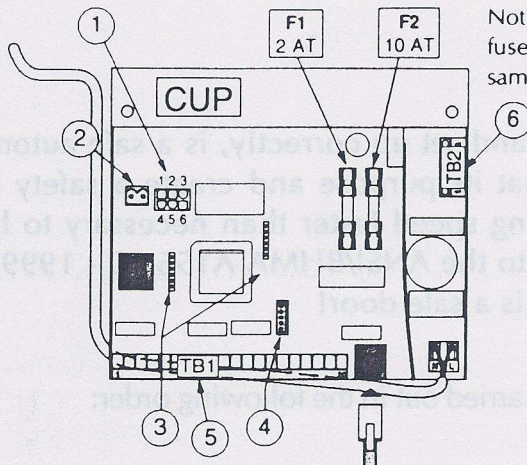
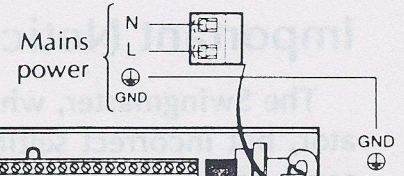


# Wiring The CUP Control Unit

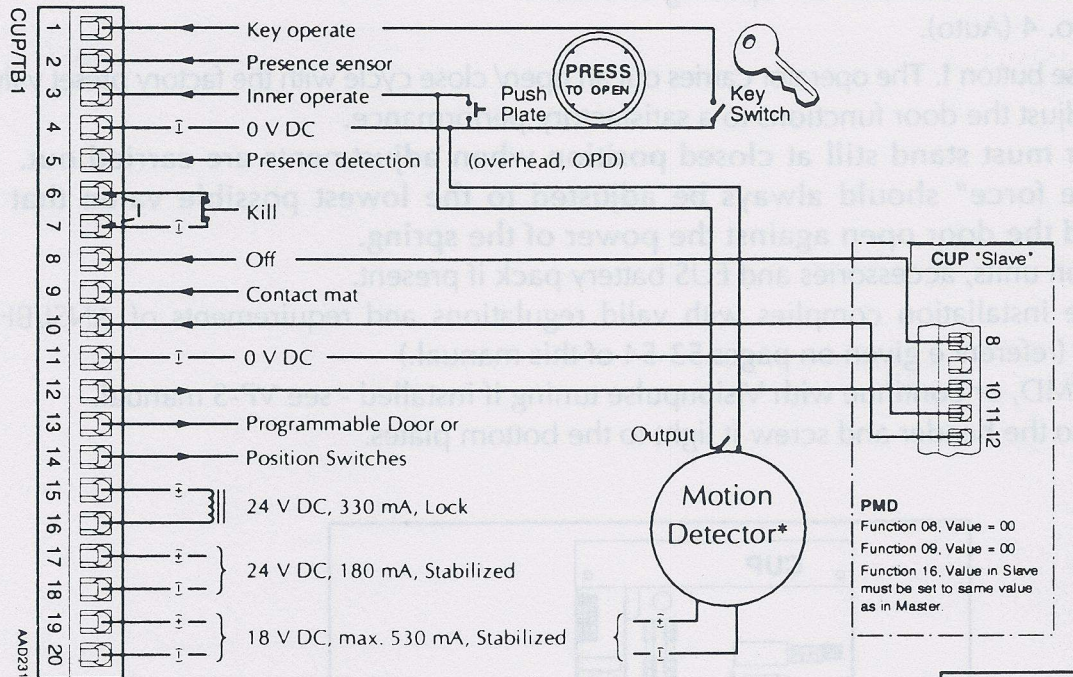
- ① Cam/Switch cable connector
- ② Connector for motor cable
- ③ Connecters for EXS extension unit
- ④ Connector for revolution counter cable
- ⑤ TB1 – Terminal block for external wiring
- ⑥ TB2 – Terminal block for backup battery, EUS



Note! Only replace fuses with those of same rating.



PMD Note! Always enter PIN code first after connecting PMD.



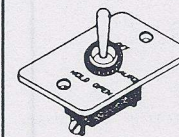
### 3 Position Switch

- 1) Legend plate instructions to be placed where they may be easily read.
- 2) Switch should be mounted within view of the door it is controlling.
- 3) Switch should be mounted where door opening/closing will not contact the person activating it.

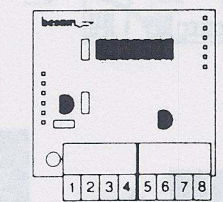
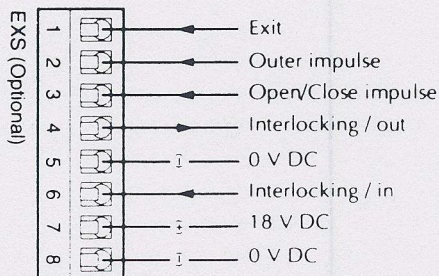
Short 3 & 4 to hold open  
Short 4 & 8 to hold closed

**Caution!**  
If switched to off position and Push Reactivation has been chosen, the door will still operate when pushed.

See also page 46.



CUP / TB1



EXS Extension Unit

\* For Visionpulse and Visionpulse S, see respective manuals.